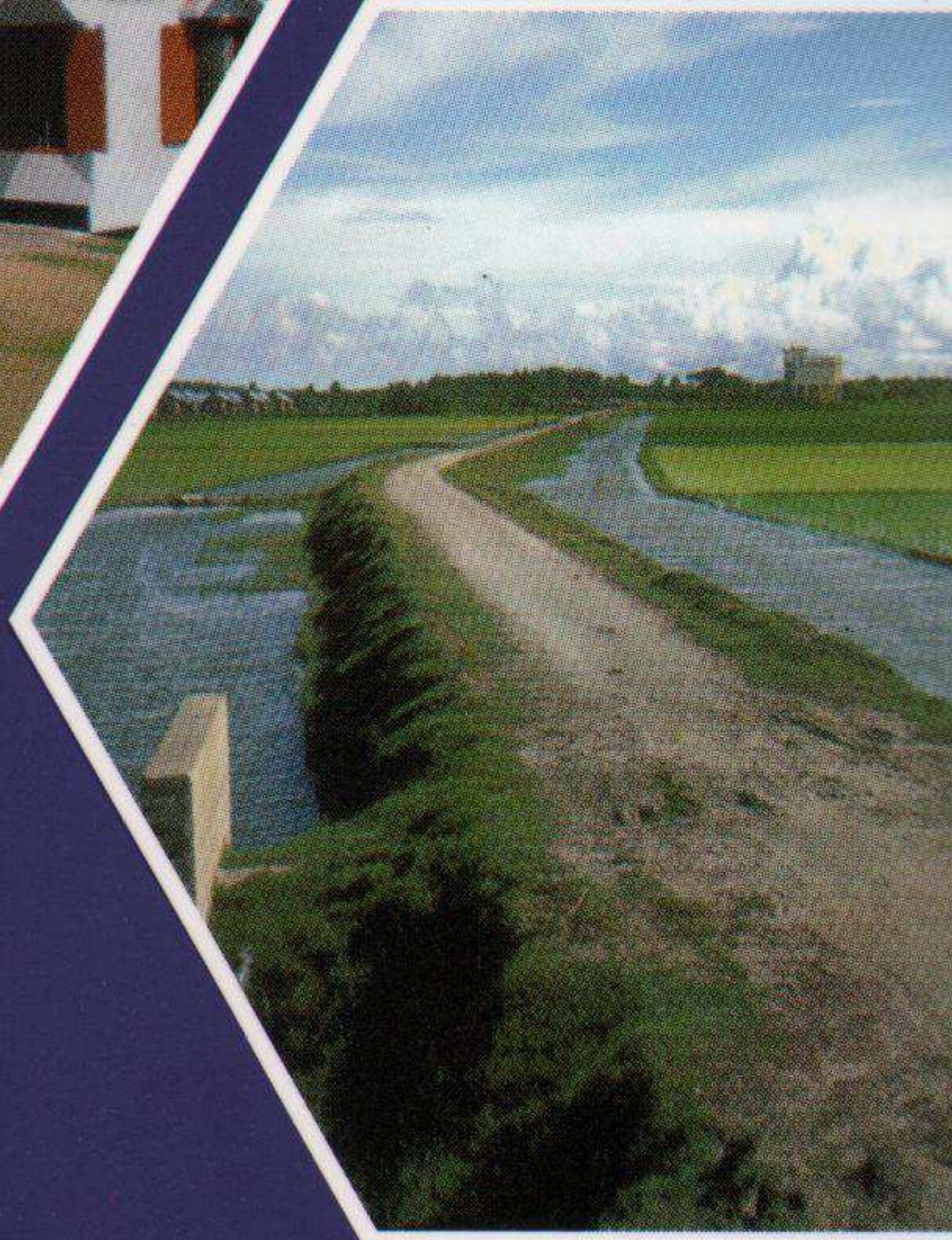
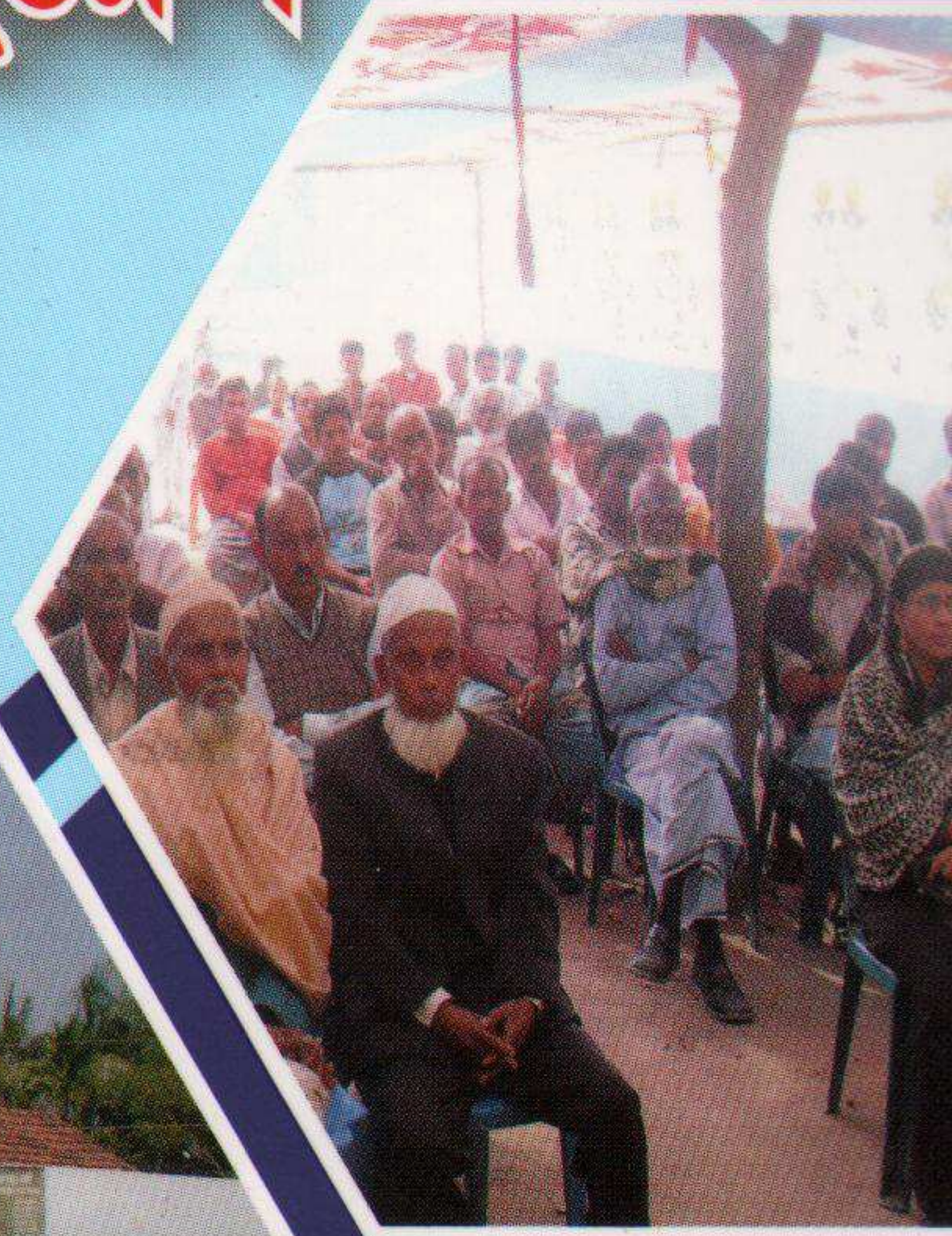
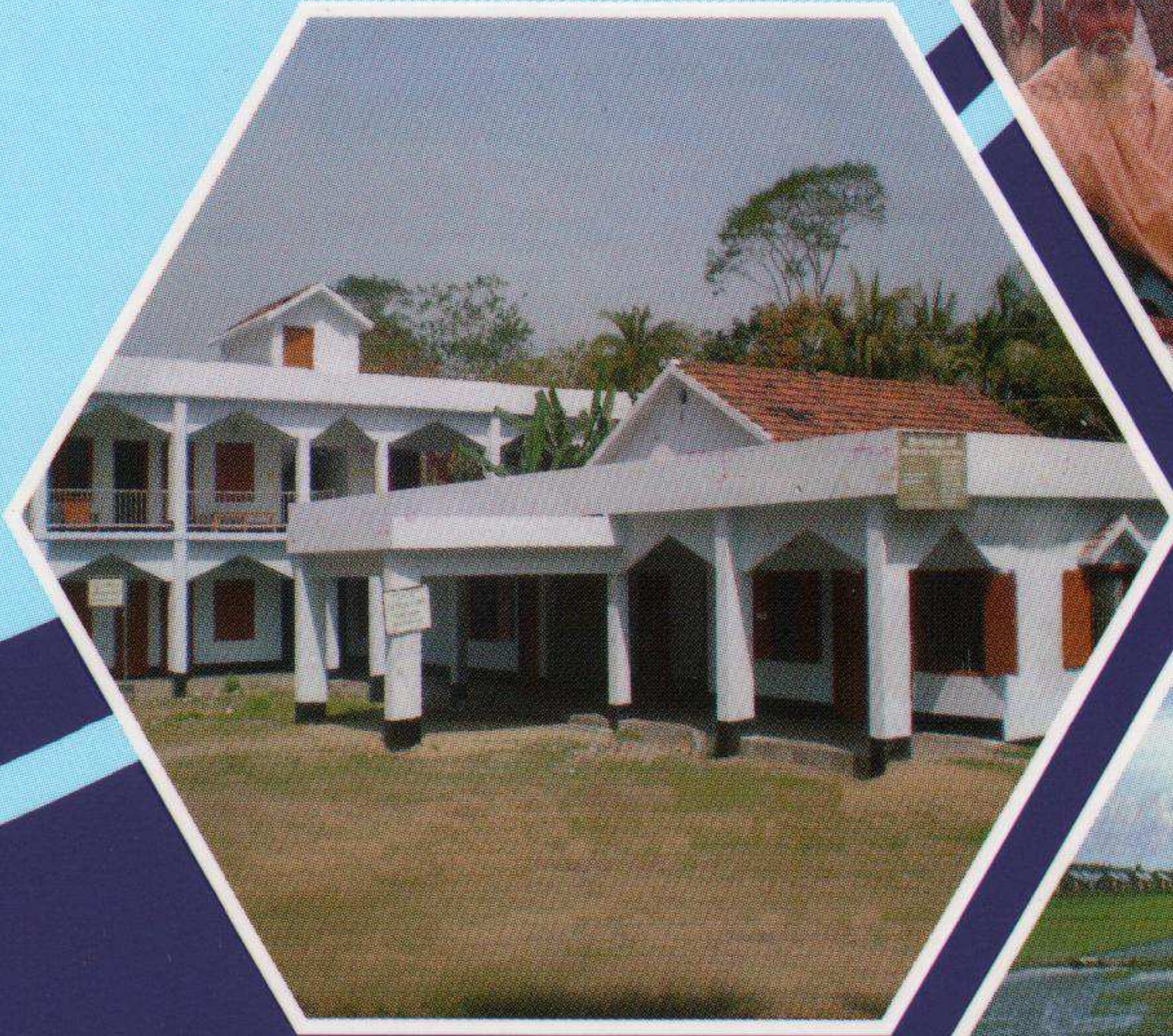




ইউনিয়ন পরিষদ অপারেশনাল ম্যানুয়েল



স্থানীয় সরকার বিভাগ

স্থানীয় সরকার, পল্লী উন্নয়ন ও সমবায় মন্ত্রণালয়

গণপ্রজাতন্ত্রী বাংলাদেশ সরকার

BDwbqb cwi I` Acv†i kbvj g`vb†qj

˘vbxq mi Kvi wefvM
˘vbxq mi Kvi , cj ~~Dbqb~~ I mgevq gšYvj q
MYcRvZšx evsj v†` k mi Kvi

BDwqb cwi I` Acvfi kbvj g'vbtqj

~Zj :
~vbxq mi Kvi wefvM

msKj b :
AveyZvtni gnvaf` Rvtei
wmbqi mnKvi x miPe, ~vbxq mi Kvi wefvM |

muv`bv:
kvxgv bwmfi, hM-miPe, ~vbxq mi Kvi wefvM |
GKi vgj nK, cwi Pvj K (cKqY), RvZxq ~vbxq mi Kvi Bbw=UUDU
tgv: Awgbj Bmj vg, wmbqi cvej K dvBb'vY t'ukvij ÷, Gj wRGmic:2
AwRZ Kgvi cvj, wmbqi tj vKvj Mfb'gU AwWU t'ukvij ÷, Gj wRGmic:2

mweR ZEjeavb :
tK Gg tgvRvafsj nK
AwZwi³ miPe, ~vbxq mi Kvi wefvM

cKvkKvj :
AvM ÷ 2012

mnvqZv :
wZxq tj vKvj Mfb'vY mfvUcOR± (Gj wRGmic:2)
~vbxq mi Kvi wefvM |

KuvDUvi Kt'uvR :
Gg. G. i'ng, KuvDUvi Acvfi Ui, ~vbxq mi Kvi wefvM |

gy'Y :
Ktj R tMBU evBwUs GU wCUs
1/7, Ktj R tMBU, tgvnaf` cj, XvKv-1207 |
tdvb t 9122979, 01711311366

ISBN : 978-984-33-5560-7

gjeÜ

mvsweawbK A½xKvi Abjvqx miKvi c¼vmþbi mKj ch¼q ubePZ c¼Zwbwaþ`i
¶lgZvqb Ges Dbqab c¼vmþb KvRi AskMhY wbwDZ Kivi jþ¶¶ wbjm c¼Pón
Pwvj¼q hvþ"Q| GiB avivewinKZvq c¼PxbZg `vbxq miKvi c¼Zövb wntmte
BDwbqb cwil`þK kw³kvjx l KvRi tmergjK c¼Zövtb ifcvšþi c`þ¶c
tblqv ntqþQ| `vbxq miKvi wfvM gþb Kþi G Rb`i ay`wqZi; c¼vbB hþ_ó bq
eis `wqZi; cvj þbi Rb` ch¼ß ¶lgZv l Aw_ R `faxbZv c¼vb, m¶lgZv ewx Ges
`vbxq ch¼q cwikíbv c¼vqb l Zv ev`evqþbi mKj ch¼q RbAskMhY wbwDZ
Kiv Avek`K| G jþ¶¶ `vbxq miKvi wfvM Rj vB 2006 nþZ Rþ 2011 chS-
ðtj vKvj Mfb¼Y mvþcvU©c¼R± (Gj wRGmwc)ó mdj fvte ev`evqb KþiþQ| G
c¼Kþi i mvdj` tUKmB l c¼wZövbKxKiþYi jþ¶¶ `vbxq miKvi wfvM, miKvi
l wekþvstþKi thS_ A_¼qþb c¼q 3900.00 tKwU UvKv e`¼q c¼P eQi tgqv`
ðwDZxq tj vKvj Mfb¼Y mvþcvU©c¼R± (Gj wRGmwc:2)ó ev`evqþbi KvR nþZ
wbþqþQ hv Rj vB 2011 tZ `i` nþq Rþ 2016 tZ þkl nþe| G c¼Kí nþZ
BDwbqb cwil`mgþni e`vsK wnmvte mi vmi t_vK eivl` `vbsþi Kiv nþq `vþK,
hv w`¼q `vbxq RbMþYi mi vmi AskMhþYi gva`tg Zvþ`i AMhwaKvi Abjvqx
Dbqab c¼Kí MhY, ev`evqb l Z`vi wKi e`e`v iþqþQ|

bvix-Dbqab l bvixi ¶lgZvqb wbwDZKiþYi jþ¶¶ G c¼Kþi i Avl Zvq BDwbqb
cwilþ`i AbKþj th eivl` `vbsþi Kiv nþq"Q Zvi 30% A_¼gwnjvþ`i ðviv
AMhwaKvi c¼ß w`g ev`evqþb e`q KiþZ nþe| c¼ZwU BDwbqb cwilþ`i AšZ
wZbwU lqvþW©BDwbqb cwilþ`i gwnjv m`mþ`i lqvþW©KwguUdi mfvcwZ ivLv
eva`Zvgj K Kiv nþqþQ|

Gj wRGmwc:2-G BDwbqb cwilþ`i cwikíbv c¼vqb, `vbxq RbMþYi AskMhþY
w`g MhY, ev`evqb Ges gvVch¼q c¼Zte`b `Zwi i þKškj BZ`w` w¼q_þjv
mnRZi Kivi mþ½ mþ½ t_vK eivþi cwigvYl ewx Kiþe| evsjvþ`k miKvi
`pfvte weklm Kþi th, m¼úþ`i G µgewaZ we`þi Ges mvgwRK ch¼e¶¶Y
kw³kvjx Kivi c¼µqv c¼Kþi i jvMmB cwikíbv c¼vqb Ges ev`evqb mnRZi
Kiþe| GKB mþ½ w`g ev`evqþb e`q l mgq Kwgtq BDwcmgþni `wqZi l
mþPZbv ewx Kiþe|

gvWchq G cKtí i Kvhg mPvi "iſc ev⁻evqb Ges mnſR BDwbqb cwi lſ i
mvaviY Kvhewj m^uv`b Kivi Rb` G Acvtikbvj g^vbtqj cſqb Kiv ntqtQ|
GB Acvtikbvj g^vbtqj c^xuZMZ Kivtgi Z⁻ mseij Z hv BDwcmgnſK
tgſvj K t^vK eivl Znvej e^e-vcbv Ges ms^wk^e- Kvhewj i mſ¹/₂ m^uKſ³
`b^w`b KvR cwi Pj bvq mnvqZv Kiſe| G wbt`KkvtZ w⁻gmgn wbePb,
Abtgv`b, ev⁻evqb, AeKivtgmZ Dbqb Ges Z^Eyeatſi cikvcwk tmev l
gvj vgvj μ qms^uvſ-welqvej i tſſſ BDwcmgnſi Aek` cvj bxq welqmgſni
wek` eY⁰v t` lqv ntqtQ| G Acvtikbvj g^vbtqj i tKvtbv weiv/ ktai A⁻
Abev` A⁻ev e^vL^v, fveMZ cKvk A⁻ev tKvtbv kZ⁰wbtq weivſai Drcw^E ntj
tmſſſ¹ ⁻vbxq mi Kvi, c^j ⁻Dbqb l mgevq gſ^vyj tqi ⁻vbxq mi Kvi wefvM
w^xvſB Povſ-eſj weſwPZ nſe| ⁻vbxq mi Kvi wefvM mgq mgq G wbt`Kkvi
c⁰qvRbxq cwi ea⁰ A⁻ev ms⁻vi KiſZ cviſe| Dſj ⁻D³ cwi ea⁰ A⁻ev
ms⁻vi mgn t^j vKvj Mfb⁰Y mvtcv⁰c⁰R[±]:2-Gi Dbqb mnſhvMxi mſ¹/₂ Avſj vPbv
Ges g%ZK` mvtcſſ KvhKi nſe|

AvejAvj g tgv: kin` Lvb
miPe
⁻vbxq mi Kvi wefvM

mWPCĪ

μwgK bs	wel q	cōv
	fīgKv	13
1.	BDwbqb cwi l` i m̄vavi Y Kvhe×wZ I Kvheij	15
1.1	BDwbqb, I qvW ^q BDwbqb cwi l` MVb	15
1.1.1	BDwbqb cwi l` MVb	15
1.1.2	BDwbqb I I qvW ^q MVb	15
1.2	BDwbqb cwi l` i tPqvi g`vb I m`m` i m̄ú ^t K ^q leavbeij	15
1.2.1	BDwbqb cwi l` i tPqvi g`vb I m`m`M̄Yi kc_ ev tNvl Yv	15
1.2.2	cwi l` i tPqvi g`vb I m`m`M̄Yi Kvheij	15
1.3	I qvW ^q mfv	16
1.3.1	I qvW ^q ch ^q Db ³ mfv	16
1.3.2	I qvW ^q mfv i q̄gZv I Kg ^e wi wa	16
1.3.3	I qvW ^q mfv i `wqZj	18
1.4	BDwbqb cwi l` i mfv, q̄gZv Ges Kvheij	19
1.4.1	cwi l` i mfv I Zj we mfv	19
1.4.2	`vqx Kwgw MVb I Gi Kvheij	20
1.4.3	cwi l` i wbe ^h x q̄gZv	21
1.4.4	cwi l` i Kvheij	22
1.4.5	tPqvi g`vb c`v ^t bj	23
1.5	BDwbqb cwi l` i c ^{ij} k I Mōg cāZi q̄v wel qK Kvheij	23
1.6	BDwbqb cwi l` i cāZ mi Kv ^t i i Ab`vb` Kg ^R Z ^h `wqZj	23
1.6.1	mi Kv ^t i i `wqZj	23
1.6.2	`vbxq ch ^q q mi Kwi Kg ^R Z ^h M̄Yi BDwbqb cwi l` i wel t ^q `wqZj	24
1.7	BDwbqb cwi l` KZ ^R mgš ^q	25
2.	cwi l` i Aw ^l _R e`e`vcbv, m̄úw ^E I Znvej	29
2.1	Aw ^l _R e`e`vcbv	29
2.1.1	cwi l` i m̄úw ^E AR ^h , `L ^t j i vLvi I w ^o úw ^E Kivi q̄gZv	29
2.1.2	cwi l` m̄ú` n`vš ^t	30
2.1.3	cwi l` i Znvej	30
2.1.4	cwi l` i e`q	30
2.1.5	cwi l` i Znvej msi q̄Y ev w ^e b ^t q ^m Ges w ^e t ^k l Znvej MVb	31
2.1.6	`vqhy ³ e`q	31

4.2	Gj wRGmuc:2-Gi Avl Zvq MhYthvM' μq	51
4.2.1	μq msμvš-KwguW	51
4.2.2	KwguW MVtbi bxwZgvj v I „i“ZcY©ewkó”	52
4.2.3	BDwqb chf̄q μq I mSMh msμvš-wel̄tq wbtḡe KwguWmḡni Kvh̄ewi wa	53
4.3	tj vKvj Mfb̄Y m̄tciU©R̄t̄i Avl Zvq μq c×wZ	54
4.3.1	μq c×wZ ej tZ wK tevSwq	54
4.3.2	Gj wRGmuc:2-Gi μq-c×wZ	55
4.3.2.1	mi vmi μq c×wZ	55
4.3.2.1.1	mi vmi `icĀ c̄μqvi t̄dv-PvU'	56
4.3.2.2	KwguW μq c×wZ	56
4.3.2.3.1	RFQ c×wZ: wi t̄Kvtq ÷ di t̄KvtUkb A_® Ab̄t̄ivact̄i i gva"tg `i mSMh	59
4.3.2.3.2	Avi GduKD c×wZtZ `icĀ MhY I t̄Lvj v	63
4.3.2.3.3	Avi GduKD c×wZtZ `icĀ mḡni gj "vqb	68
4.3.2.3.4	wj cwi t̄kvt̄ai Zdmj	68
4.3.3	Db̄y³ `icĀ c×wZ	68
4.3.3.1	Db̄y³ `icĀ c̄μqvi t̄q̄t̄i wbt̄Pi wel̄q „tj v Ab̄mi Y KitZ nte	69
4.3.3.2	Db̄y³ `icĀ c×wZi t̄q̄t̄i `icĀ c̄Pvi ev c̄Kvt̄ki Rb" Ab̄mi Yxq c×wZ	69
4.3.3.3	Db̄y³ `icĀ `wj cĀZ I PevŠKi Y	70
4.4	μq m̄úwK̄Z wi t̄ciU©c̄Kvk, Awf̄thvM w̄b̄úwĒ, T̄wUcȲμq w̄b̄ix̄q̄v	78
4.4.1	μq I w̄g ev̄ evqb msμvš-cĀZte`b	78
4.4.2	μqm̄úwK̄Z Awf̄thvM I w̄b̄úwĒKi Y	80
4.4.3	t̄q̄v̄f c̄Kvk	80
4.4.4	Awf̄thvM c̄μqvi BDuc Ges wewRimw-i `wqZi	80
4.4.5	μqc̄μqvi w̄b̄ix̄q̄v	81
4.4.6	w̄ek̄v̄sK KZ̄R μt̄qv̄Ei AwWU	81
4.4.7	μqms̄w̄k̄-wel̄tq Ki Yxq I w̄b̄t̄lav̄Av	82
5.	Z_ c̄Kvk	85
5.1	w̄m̄w̄t̄Rb PvU® c̄Kvk	85
5.2	m̄k̄vm̄t̄bi Rb" AvaȳbK c̄h̄y³ i e"envi	85
5.3	Db̄q̄b Kvh̄p̄g m̄úwK̄Z Z_ "w̄	86
6.	Rb̄I gZi w̄beÜb, M̄g Av`vj Z Ges Ab`vb" tmevm̄g	87
6.1.1	Rb̄I gZi w̄beÜb c̄μqv	87
6.1.2	Rb̄I gZi w̄beÜt̄bi „i“Zi	88

6.1.3	RbʔI gZi m ^u wKZ Z ^u c0 vtbi Rb ^u wqZkxj e ^u eM ^u	89
6.1.4	ti wRt ÷ kb c0 uqv Ges mb ^u c0 vb	89
6.1.5	RvZxqZv Ges Pwi wI K mb ^u cI	89
6.2	wepwi K I AvBib tmev	90
6.2.1	M0g Av ^u vj tZi DfI k ^u	90
6.2.2	M0g Av ^u vj Z MVtbi Avte ^u b	91
6.2.3	Avte ^u tbi wdm	91
6.2.4	bvKP Avte ^u b bv-gÄtj i Avt ^u kmn Avte ^u bKvi tK tdi Z c0 vb	91
6.2.5	Avte ^u b bv-gÄtj i Avt ^u tki wei t ^u x wi wfk b/Avicj	91
6.2.6	Avte ^u t b Kx Kx Z ^u vKtZ nte?	91
6.2.7	Avte ^u bcI cvevi ci tPqvi g ^u vb Kx Ki t b?	91
6.2.8	c0Zev ^u x ^u we ev weev ^u tKvi Ki t j M0g-Av ^u vj Z MVb Kiv nte bv	92
6.2.9	Kx Kx Kvi tY Avte ^u b bvKP Kiv hvte?	92
6.2.10	M0g-Av ^u vj tZi GLwZqvi , BZ ^u w ^u	92
6.2.11	M0g Av ^u vj tZi tlgZv	92
7.	c0Zte ^u b	95
7.1	BDubqb cwi I ^u I vbw ^u mK gubUwi s wi tcvU ^u Gj wRGmic	96
7.2	M0g-Av ^u vj tZi I vbw ^u mK c0Zte ^u b	105
8.	Gj wRGmic i cUfug DfI k ^u I Kvh ^u g	109
8.1	Gj wRGmic:2-Gi AvI Zvq BDubqb cwi I t ^u i Rb ^u Ab ^u vbmga	111
8.1.1	tgšij K t ^u vK eivI (BBG) wba ^u tY I weZiY	111
8.1.2	tgšij K t ^u vK eivI w ^u t g c0 tki Rb ^u c0 w ^u gK thvM ^u Zv wba ^u tYi gvcKwV	112
8.1.3	t ^u tZv w ^u f ^u E ^u K Ab ^u v b (PBG) wba ^u tY I weZiY	112
8.1.4	t ^u vK eivI wej t ^u w ^u MZ nevi KviY	113
8.1.5	Gj wRGmic:2-Gi A ^u t ^u v thme w ^u g M0Y Kiv hvte	114
8.1.6	Gj wRGmic:2-Gi A ^u t ^u v thme t ^u t ^u t ^u e ^u q Kiv hvte bv	114
8.2	Gj wRGmic:2-Gi c0wZ0vbK Kiv tgv Ges ev ^u evqb e ^u e ^u v	115
8.2.1	RvZxq ch ^u t ^u : tR± w ^u qwi s KugulJ (wGmim)	115
8.2.2	tRj v ch ^u t ^u : tRj v mgš ^u q KugulJ (wMim)	115
8.2.3	DctRj v ch ^u t ^u : e ^u K M0U tKv-Aw ^u t ^u kkb KugulJ (wevRimim)	116
8.2.4	I qw ^u KugulJ (Ww ^u t ^u v)	117
8.2.5	w ^u g m ^u cvi wfk b KugulJi (GmGmim) MVb I Kvh ^u t ^u j	119
8.3	w ^u g ev ^u evqb m ^u p ^u v ^u s ^u t ^u i KW ^u t ^u si t ^u jY	121

8.4	AvcuĒ ev AvfthvM vb®úuĒ eĒeĒv	122
8.5	cĀZte`b cĀZ I bv_fy³KiY	124
8.6	wĒg evQvB, evĒevqb, ZĒyeavb I cwi exŕŕY cĀpıqv	125
8.7	wĒg evĒevqb eĒeĒvcbv	126
9.	mvgwRK I cwi tek Dbqb I msi ŕŕY	127
9.1	bvi xi ŕŕgZvqb	127
9.2	cwi tek I mvgwRK mj ŕŕvi vel qvej	128
10.	cwi wkó : QK	139
10.1	QK : Standard evŕRU di g	139
10.2	QK : bgbv KĒvk eB	141
10.3	QK : 5 eQi tgqv`x cwi Kí bv cĀqŕY cĀqvRbxq QK	142
10.4	Gj wRGmıci `ŕŕZv gj Ēvqb mPKmgn cwi cĀ	143 144

fwgKv

BDwbqbw cwi l` G Dcgnv`tki c0PxbZg `vbxq mi Kvi c0Z0vb | M0g-tPŠwK` wii AvBb 1870-Gi gva`tg c0Zw0Z BDwbqbw cwi l` i bvg Ges Kvh0ewj mg`tg mg`tg tbZZj ev ivR%0wZK cUcwi eZ0bi Kvi tY cwi ewZ0 n`qtQ | GK mgq Gi bvg wQj c0Av`tgZ | c0_wgKfivte c0Av`tgZi KvR wQj M0tgi AvBb k;Ljv i 0vi Rb` tPŠwK`vi wbtqvM c0vb Kiv | cuP m`m` wenk0 c0Av`tgZ tRjv g`wRt`÷U KZ0 g`tbvbxZ n`Zb | DcwbtewkK kvmbvg`tj tKej ivR`^Av`vq w`tg Kvh0ewj i i` n`tj l Kvj m`tg BDwbqbw cwi l` AvBbk;Ljv i 0vi, AeKvWv`gv Dbqbw, c0Kf ev`evqbw, mi Kwii weifb0eKg0mP mgš0q mvab Ges RbMYtK wKQz tgšw`j K tmev c0vb BZ`w` i m`½ hy0 nq |

`vbxq mi Kvi (BDwbqbw cwi l`) AvBb 2009-G hw` l BDwbqbw cwi l` i A`bK KvR l `wqZj weaZ Av`Q Z_wc BDwbqbw cwi l` i `b`b KvR wKfivte m00v` Z nte tm m00tK0e`wii Z wbt` 0Kv m00j Z 0BDwbqbw cwi l` Acv`tkbvj g`vbtqj 0 A`vewa c0KwKZ nqib | 2006 mvtj tjvKvj Mfb0Y mvtcvU`c0R± ev`evqtb mnvqZv Kivi Rb` BDwbqbw cwi l` i Rb` GKwU Acv`tkbvj g`vbtqj c0Z Kiv n`qtQj ; hvi g`ta` BDwbqbw cwi l` i cwi Kf bv, Avw_0 e`e`vcbv, m0q, Dbqbw, w`tg ev`evqbw Ges w`tcwU0 BZ`w` w`lq m00tK0 K wbt` Rbv wQj | Gi B t00t0Z `vbxq mi Kvi w`fVM w`xvš-wbtq`Q th, BDwbqbw cwi l` i Rb` GKwU mvaviY Acv`tkbvj g`vbtqj `Zwi Kiv nte hv BDwbqbw cwi l` tK AvBb c0E Kvh0ewj Z_v cwi Kf bv, Avw_0 e`e`vcbv, m0q, Z_` c0vb, tmev c0vb BZ`w` m00v`tb mnvqZv Kite Ges Zv`i c0kvmwbK w`lqvewj m00v`tb l Zv`i `wqZj; Kg0 fwgKv wba0tY mnvqZv Kite |

G Acv`tkbvj g`vbtqj BDwbqbw cwi l` i `b`b Kvh0ewj m00v`tbi m`½ hy0 w`lqvewj i Dci w`tkl bRi t`te | `vbxq mi Kvi (BDwbqbw cwi l`) AvBb 2009, MYm0q AvBb 2006 Ges `vbxq mi Kvi w`fVM t`tK Rwi KZ weifb0e wbt` 0Kv, cwi c0, c0Av`cb BZ`w` i Dci w`fE Kti GuU c0qbw Kiv n`qtQ | G Acv`tkbvj g`vbtqj Gj wRGmwc:2 t`ke`vcx ev`evqtb i Rb` c00qvRbxq wbt` Rvewj mgx |

Acv̄tikbvj g'vbtqj Ggb GKwU `wj hv wbcwgZ nvj bvMv` Kivi `ve ivtL |
mvgwMkfvte gvW chq cKí ev-evqtbi AwfÁZvi wfwÉtZ mgtq mgtq bZb
wKQz msthrRb, we`gvb wKQz cwieZfbi c0qvRb ntj Zv Acv̄tikbvj g'vbtqj
Ašf® ntZ cvti | mgvR ev-eZvi wbowtL Avgvt`i fvj hv wKQz AR® Zvi
wfwÉtZ we`gvb AvBbKvbtb Ges Acv̄tikbvj g'vbtqj mstkrab Kivi mthvM
AvtQ Ges _vKte |

†K Gg tgvRv†šj nK
AwZwi³ mwPe, vbxq mi Kvi wfvM
|
RvZxq cKí cwi Pvj K, Gj wRGmic:2

1. BDıwbqb cwi l` i mvaviY Kvh©c×wZ I Kvh©ewj

1.1. BDıwbqb, I qvW©I BDıwbqb cwi l` MVb

1.1.1. BDıwbqb cwi l` MVb

cZıU BDıwbqb cwi l` GK Rb tPqvi g`vb I 12 (evi) Rb m`m` wbtq MwZ nte, hvi gta` bq Rb mvaviY Avmtbi m`m` I wZbRb msiw¶Z gınjv Avmtbi m`m` tPqvi g`vb I mvaviY Avmtbi m`m`MY cZ`¶ tfv¶U wbe¶PZ nteb| cZ`K BDıwbqb cwi l` i agvı gınjv¶ i Rb` wZbıU Avmb msiw¶Z vKte hv msiw¶Z Avmb etj AwfinZ nte Ges D³ msiw¶Z Avmtbi m`m`MYI cZ`¶ tfv¶U wbe¶PZ nteb| bqıU mvaviY Avmtbi m`m` wbe¶Pz gınjv cZ`¶YI mi vmi AskMY KiZ cvi teb| BDıwbqb cwi l` i tPqvi g`vb cwi l` i GK Rb m`m` etj MY` nteb| tPqvi g`vb I m`m`MY mi Kvi KZR wba¶ı Z m`ybx cvi teb| tPqvi g`vb I m`m`t` i bvg mi Kwi tMıRtU cAvncZ nte|

1.1.2. BDıwbqb I I qvW©MVb

tRjv cvmK, mi Kwi tMıRtU cAvcb ıv, wba¶ı Z c×wZtZ KZK wj Mg ev msj Me tgRv ev Mgi mgtq GKıU I qvW©Ges 9 (bq) wU I qvW© mgtq GKıU BDıwbqb tNıYv Ki teb| tNıWZ BDıwbqb tRjv cvmK KZR wba¶ı Z bvtg AwfinZ nte| BDıwbqbı bvgKiY tKıtv e`w³ı bvtg nte b| BDıwbqbı I qvW©ıgıni mıgK bt Ges I qvW© vbxq mıgıvı vıwı KiZ nte| mi Kvi cZ`K I qvW©I BDıwbqbı tıvK msL`v wba¶ıY Ki te| msiw¶Z Avmtbi m`m` wbe¶Pzı Dııtk` GKıU BDıwbqbı K 3 (wZb) wU I qvW©ıef³ KiZ nte|

1.2. BDıwbqb cwi l` i tPqvi g`vb I m`m`t` i m`uıKeavbıewj

1.2.1. BDıwbqb cwi l` i tPqvi g`vb I m`m`MıYı kc_ ev tNıYv

tPqvi g`vb I cZ`K m`m` Zvi Kvh¶vi MıYı ctemi Kvi KZR wba¶ı Z tKıtv e`w³ı m`yL (mvaviYZ tRjv cvmK ev DcıRjv wbe¶ıx Awıdmi) wba¶ı Z di tg kc_ MıY Ki teb Ges tNıYvcıı ev kc_ cıı vıııı vb Ki teb| tPqvi g`vb ev m`m` wııııı wbe¶PZ e`w³MıYı bvg mi Kwi tMıRtU cvmKZ nı qı 30 (wı k) wııııı gta` mi Kvi wba¶ı Z KZ¶ tPqvi g`vb I mKj m`ıııı kc_ MıYı cııııı e`v MıY Ki te| tRjv cvmK ev DcıRjv wbe¶ıx Awıdmi kc_ Abıııııı Avıııııı Ki teb|

1.2.2. cwi l` i tPqvi g`vb I m`m`MıYı Kvhııj

tKıtv cwi l` i tPqvi g`vb I m`m`MY, mıııııı cwi l` i cg mfv Abıııııı Zwi L tııK 5 (cıP) ermi mgııııı Rb` D³ cıı Awııııı vKteb| tPqvi g`vb I m`m`t` i bvg mi Kwi tMıRtU cvmKZ nı qı Zwi L tııK cieZııııı (wı k) Kvh¶ıııııı gta` BDıwbqb cwi l` i cg mfv Abııııı nıı nte| wba¶ı Z mgıııııı gta` beMıWZ cwi l` i cg mfv Abııııı bı nıııııı mi Kvi Dchııı KZ¶ıııK mfv Avıııııııı Rb` wıııııııı Acıııııııı KiZ cvi teb| Abıııııııııı Abıııııııııı mfv cwi l` i cg mfv wıııııııııı MY` nte| cwi l`

MVtbi Rb" tKvibv mvariY ubePb H cwi l` i Rb" AbjoZ ceZP mvariY ubePbi Zwi L t`K 5 (cuP) ermi cYnl qvi 180 (GKk Awk) w` tbi gta" AbjoZ nte|

1.3. I qWmfv

BDwbqbw cwi l` i cZwU I qWmGKU I qWmfv MVb KiZ nte| cZ`K I qWfP tfvUvi Zwj Kvq AšF e" MtiYi mgstq H I qWfP I qWmfv MWZ nte|

1.3.1. I qWmfv chq DbP mfv

- (1) cZ`K I qWmfv Gi vbxq mxgvi gta" ermti Kgct` 2 (`B) wU mfv Kite hvi GKU nte evrmwi K mfv|
- (2) I qWmfvi tKvi v g nte mefgvU tfvUvi msL`vi vek fvtMi GKfM (5%) Øviv| gj Zie mfv i Rb" tKvi v g Avek`K nte bv, hv mvZ w` b ci GKB mgq I v`b AbjoZ nte|
- (3) BDwbqbw cwi l` I qWmfv Abjvtbi Kgct` mvZw` b c`eh_vh_fvte mnR I MhYthM` Dcvq MYeAwB Rwi Kite; gj Zie mfv i t`t`I Abjfc MYeAwB Rwi KiZ nte|
- (4) BDwbqbw cwi l` i tPqig`vb I qWmfv AbjoZ nl qvi w`l qU wvØZ Kiteb Ges msuké-I qWm` m` mfv cWZ wntmte D` mfv cwi Pvj bv Kiteb|
- (5) msuké-I qWfP msi w`Z Avmtbi g`nj v m` m` I qWmfvi Dct` ov nteb|
- (6) I qWmfvq I qWfP mweR Dbqbw Kvhpigm Ab`vb" w`l qmg` chqj vPbv Kiv nte| ewl R mfvq msuké-I qWm` m` weMZ ermti i ewl R cZte` b Ges Aw` R mst`k`nn I qWfP Pj gvb mKj Dbqbw Kvhpig m`u`K`AewZ Kiteb| I qWmfvi tKvibv w`vš- ev` evqbw Kiv m`e bv ntj msuké-I qWm` m` Ges BDwbqbw cwi l` i tPqig`vb Gi thš`KZv I qWmfvq Dc`vcb Kiteb|

1.3.2. I qWmfvi qgZv I Kg`wi wa

- (1) vbxq mi Kvi (BDwbqbw cwi l`) AvBb 2009-Gi weavb mvtct` Ges weia Øviv wbañi Z c`wZtZ I qWmfvi wbgewZ qgZv, Kvheij I Awakvi vKte:
 - (K) BDwbqbw cwi l` i Dbqbw cwi Kí bv c`vq`bi Rb" c`qvRbxq mKj Z`w` msMh I w`b` Ki tY mnvqZv c`vb| G cwi Kí bv c`Aewl R ev ewl R ntZ cvti|
 - (L) I qWmfv chq cKí c`ve c`Z Ges ev` evqbt`hM` w`g I Dbqbw Kg`mPi AMñaKvi wbi fcy| G mKj cKí ev w`g Gj vKvi I qWmfvi gva`tg c`weZ I AMñaKvi wbi fcz ntZ nte|
 - (M) wbañi Z wYq`Ki wfiE`Z weifb`mi Kwii Kg`mP thgb, wfiRW, wfiRGd, eq` fvZv, weav fvZv BZ`w` DcKvifvMx` i Pevš- AMñaKvi Zwj Kv c`Z I BDwbqbw cwi l` i w`KU n`vš`| G Zwj Kv vbxqfvte I qWmfvq Avtj vPbvi gva`tg Pevš-Kiv ev`Abxq|
 - (N) Dbqbw cKí KvRi fvte ev` evq`bi Rb" vbxqfvte c`qvRbxq mKj cKvi mnthwMZv c`vb|

- (O) t`^Ovk†gi wfiÉ†Z `vbxq Dbq̄b Kvh̄p̄ig Ges tmevgj K Kvh̄p̄ig ev`evq̄tb Drm̄n c0vb I mnvqZvKiY|
 - (P) iv`vi ewZ, wbivc` cwbi Drm, Rb`ŕ` BDwbU, tmP mjeaw` Ges Ab`vb` RbKj`vYgj K cKÍ `vb ev GjvKv wbaŕ†Yi Rb` cwi I`†K civgk` c0vb|
 - (Q) cwi`vi cwi`Obzv, Rb`ŕ`, cwi tek msi¶Y, e¶†ivcY, cwi tek `†Y tiva, `xwZmn Ab`vb` mvgwRK AcKtg¶ w†q MYm†PZbZv m̄w0 Kiv|
 - (R) I q†W¶ wewfbœ†k†Y I tckvi t†v†Ki g†a` HK` I m̄m̄cK`m̄w0 Kiv, msMvb Mto †Zvj v Ges wewfbœcKvi μxov I m̄v`wZK Abp̄vb Av†qvRb Kiv|
 - (S) I q†W¶ wewfbœDbq̄bgj K KgRv†Ei m†½ m̄c,³ DcKvi†fvMx t†k†Y ev tMv0†K D0x, Z`vi K I mnvqZv c0vb|
 - (T) mi Kv†i i wewfbœKj`vYgj K KgRv†f†y³ (thgb, eq`fvZv, fZ¶K, BZ`w`) e`w³† i Zwj Kv hvPvB Kiv|
 - (U) I q†W¶ wewfbœGjvKvq ev`evq̄b†hvM` Dbq̄b Kv†Ri c0° j b msμvš-wewfbœ Z`w` msi¶Y|
 - (V) m̄w0w` Ze` KvR I tmevmg†ni wewwi Z Z` mieivn|
 - (W) cwi I` KZ¶ I qW`msμvš-w†q MnxZ w̄m̄xvšm̄g†ni thšw³KZvmgn AeinZ nI qv|
 - (X) I qW`mfv KZ¶ MnxZ w̄m̄xvšm̄g†ni ev`evq̄b AMWZ ch¶j vPbv Kiv Ges †Kv†bv w̄m̄xvš-ev`evq̄b bv nI qvi KviY Abm̄Üvb Kiv|
 - (Y) Rb`ŕ` w†qK Kvh̄p̄ig, w†klZ wewfbœcKvi tivM c0Z†iva Ges cwi evi cwi Kí bv Kvh̄p̄†g m̄μq m†hwmZv Kiv; m̄w0†Ukb Kvh̄p̄†gi m†½ m̄c,³ KgRZ¶ ev KgPvi xMY†K eR`Acw††Yi †¶†† t`^Ovk†gi wfiÉ†Z mnvqZv c0vb|
 - (Z) I q†W¶ wewfbœGjvKvq wbivc` cwbi mieivn, iv`v Av†j wKZKiY I Ab`vb` tmev c0v†b †wU wPzwmgn wPw†Z Kiv Ges Zv `†xKi††Yi e`e`v Kiv|
 - (_) I q†W¶ wewfbœ¶v c0Z0†bi AwffveK-wK¶K m̄cK`Dbq̄b|
 - (^) thSZK, evj`weevn, eüweevn I GmW w†¶¶†ci g†Zv mvgwRK m̄gm̄v `†xKi††Y mvgwRK Av†`vj b Mto †Zvj v|
 - (a) Rb† I gZi wbeÜb Kvh̄p̄†g m†hwmZv c0vb Kiv|
 - (b) AvZ†KgR̄s`vbm̄n Ab`vb` A`wZK KgRv†E Drm̄wN Z Kiv|
 - (c) mi Kvi ev cwi I` KZ¶ AwcZ Ab`vb` `wqZj m̄cv` b|
- (2) I qW`mfv, m̄vavi Y ev w†kl mfvq c0B wewfbœc0Z†e` b ch¶j vPbv Ki†e| wewfbœ Dbq̄b Kvh̄p̄†gi ev†RU wfvRb, Kgewi Kí bv, LvZ wfiÉK A`eivl, c0° j b, m̄cw` Z I m̄cw` Ze` Kv†Ri g†j v†g†j μq ewe` A`e`q BZ`w` w†q Db†y³ `k0xq `v†b tev†w¶j †L Uw††q RbMY†K AeinZ Ki†Z n†e|

- (3) I qvW^omfvq AwWU wi tcvU^oDc⁻vcb I Avtj vPbv Ki tZ nte Ges G wel tq mfvi gZvgZ I mpcwii k cwi l t i we tePbvi Rb^o t c^oY Ki tZ nte |
- (4) BDwbqb cwi l t i mwPe I qvW^omfvq Dcw⁻Z t t K mfvi Kv h^oeei Yx ^Zwi I MpxZ wmxvS^omg^o ti KW^oKi teb Ges ev⁻eqb AM^oMwZ cieZx^ocwi l^o I I qvW^omfvq Dc⁻vcb Ki teb |
- (5) I qvW^omfv tKv t b m vavi Y ev we t k l Kv h^o m^oub^ockwi evi D t i t k^o GK ev GKwaK Dc-Kugulj MVb Ki tZ cvi te | Dc-Kugulj m^om^o msL^ov 10 (k) R t b i Awak nte bv Ges Gi g t a^o Kgct^o 3 (wZb) Rb g w j v nte b |
- (6) msL^ovMwi t o i w f w E t Z I qvW^omfvi wmxvS^o-MpxZ nte, Z te hZ^o t m^oe m vavi Y HK^og t Z i Ges mf vq Dcw⁻Z g w j v t i AskM^ot i Y i w f w E t Z wmxvS^o-M^oh Y Kiv ev A b x q nte |
- (7) I qvW^omfv we A w B Avn Y t b i gva^o t g m^oe^o DcKvi t f v M x t^o i w b K U n t Z c^oB^o i L v^o m g n Z^o s^o-K t i h v P v B ev Q v B t q i R b^o m f v q D c⁻v c b K i t e | m f v q h v P v B ev Q v B t q i c i w b a^o i Z w b Y q t K i w f w E t Z D c K v i t f v M x t^o i P o v s^o-A M^ou a K v i Z w j K v c^oZ Kiv nte Ges Z v c w i l t i A b t g v t b i R b^o t c^oY K i t Z nte | t K v t b v i f c A w b q g c^og w Y Z b v n t j c w i l^o I qvW^omfv K Z R c^oZ K Z I t c^oi Z A M^ou a K v i Z w j K v c w i e Z^o K i t Z c v i t e b v |

1.3.3. I qvW^omfvi^o w q Z i

- (1) I qvW^omfv w b g w j w L Z^o w q Z i c v j b K i t e :
 - (K) I qvW^oP Dbqbgj K I RbKj^o Y g t x Kv h^o t g i AM^oMwZ I Ab^ov b^o Z^o w^o m i e i v n;
 - (L) Kw l, g r m^o, n u m - g j w M I c i c v j b, ^^o I c w i e v i c w i K i b v, w k^o v, R b^o ^^o, t h v t h v M, h^o e D b q b, B Z^o w^o w e l q K D b q b K g R v t E AskM^oh Y;
 - (M) R b^o g Z i w b e U b m n A Z^o v e k^o K x q A v^o m v g w i R K D c v E m s M^oh;
 - (N) e, t i i v c Y I c w i t e k D b q b Ges c w i t e k^o t Y g^o I c w i " Q b e i v L v;
 - (O) b v i x I w k i w b h^o Z b, b v i x I w k i c v P v i Ges t h S Z K, e j^o w e e v n I G u m W w b t^o c w b t i v a K v h^o g, ^^o b x Z m n A b^o v b^o m v g w i R K A c K t g^o w e i t x R b m t P Z b Z v m^oo Kiv;
 - (P) I qvW^oP AvBb-k; L j v i v m n m v g w i R K m^o c^oh Z e R v q i v L v;
 - (Q) R b M Y t K K i, w d, t i B U B Z^o w^o m n w e w f b e c K v i F Y c w i t k v t a i R b^o D^oh Kiv;
 - (R) ^^o v b x q m^o c t^o i m s M^oh I D b q t b i g v a^o t g c w i l t i m^o c t^o i D b q t b m n v q Z v Kiv;
 - (S) t^o Q v k t g i w f w E t Z D b q b g j K I A b^o v b^o m g v R M v b g j K K g^o P ev⁻eq t b Ges m s M v b ^ Z w i t Z m n v q Z v;
 - (T) g n v g w i I c^o K u Z K ^^o t h v t t g v K v t e j v q R i^o w i w f w E t Z K i Y x w b a^o Y |

wi tcvU^{c0} vb

I qvW^mmfvi Kvh^ewj I `wqZ; m^ctK^cwi I `tK wi tcvU^{c0} vb |

wetkl mfv

I qvW^mmfvi t^ql^l wetkl wetkl mfv Avn^yv^tbi Rb^o cwi I `tK Ab^tiva Ki tZ cvi t^e |

e^oq Ab^tgv^o b

I qvW^mmfvi Ab^tgv^o b ienxb tKv^tbv e^oq, hvi `wqZ; e^owqZ n^e, Zv Zvi e^ow³MZ `vq w^tnt^e MY^o n^e |

1.4. BD^owqb cwi I t^o i mfv, ^qlgZv Ges Kvh^ewj

1.4.1. cwi I t^o i mfv I Zj we mfv

- (1) c^oZ^oK cwi I ` , cwi I t^o i Kvh^e t^q c^oZ gv^tm b^obZg GK^oU mfv Ab^ov^tbi e^oe^ov Ki t^e Ges D³ mfv Aw^odm mg^tqi g^ta^o Ab^ooZ n^e |
- (2) cwi I t^o i 50% m^om^o Zj we mfv Avn^yv^tbi Rb^o tPqvi g^ov^tbi w^oKU wj wLZ Ab^tiva Rv^ov^tj wZ^ob 15 (c^ot^obi) w^o t^obi g^ta^o Ab^toq GK^oU mfv Zwi L I mgq w^oba^oY K^oi mfv Ab^ov^tbi Kg^oct^oq 7 (m^ovZ) w^o b c^ot^oe^ocwi I t^o i m^om^oMY^otK t^obwUk c^ovb Ki t^e |
- (3) cwi I t^o i tPqvi g^ovb Zj we mfv Avn^yv^tbi Ki tZ e^o_^on^otj c^ov^ot^obj tPqvi g^ovb (m^ogv^obm^ov^ot^oi) 10 (k) w^o t^obi g^ta^o Ab^toq mfv Avn^yv^tbi K^oi Kg^oct^oq 7 (m^ovZ) w^o b c^ot^oe^ocwi I t^o i tPqvi g^ovb I m^om^oMY^otK t^obwUk c^ovb Ki t^e | Gifc mfv cwi I t^o i Kvh^e t^q w^oba^o Z Zwi tL Aw^odm Pj vK^ov^oxb mg^tq Ab^ooZ n^e |
- (4) Zj we mfv cwi Pj bv K^ov^ot^oj D^oct^oRj v w^obe^onx Aw^odmvi KZ^oR w^ot^oq^oMKZ GK^oRb Kg^oRZ^o ch^oe^oq^oK w^ont^ont^oe D^ocw^oZ _vK^otZ cvi t^e, w^oh^ow Gifc Zj we mfv cwi Pj bv I mfvq M^opxZ w^om^ov^ot^oš^o w^ol^ot^oq D^oct^oRj v w^obe^onx Aw^odmv^oi i w^oKU GK^oU wj wLZ c^oZ^ot^oe^o b mfv Ab^ov^tbi 7 (m^ovZ) w^o t^obi g^ta^o `wLj Ki t^e |
- (5) tPqvi g^ovb A^o_ev Zwi Ab^ocv^ow^oZ^otZ Zwi `wqZ; cvj bK^ovix e^ow^o3, c^ooqvR^ot^ob, th tKv^tbv mgq cwi I t^o i wetkl mfv Avn^yv^tbi Ki tZ cvi t^e |
- (6) m^om^oM^ot^oYi tgvU m^osL^ovi GK ZZxq^ost^oki D^ocw^ow^oZ^otZ tKvi v^og n^e, Z^ot^o tKvi v^ot^ogi Afv^ot^oe tKv^tbv mfv gj Z^owe n^otj gj Z^owe mfvq tKv^tbv tKvi v^ot^ogi c^ooqvR^ob n^e bv |
- (7) cwi I t^o i mfvq mKj w^om^ov^oš^o-D^ocw^oZ m^om^oM^ot^oYi m^ov^oavi Y m^osL^ov^oM^ovi o^o t^of^ov^oU M^opxZ n^e |
- (8) c^oZ^oK m^o t^om^oi GK^oU K^oi t^of^ovU c^oo^ov^ot^obi ^qlgZv _vK^ot^oe Ges t^of^ov^oU mgZvi t^oq^ot^ol^o mfv^ocwZ GK^oU w^oY^oq^oK t^of^ovU c^oo^ov^o Ki tZ cvi t^e |
- (9) cwi I t^o i mfvq tPqvi g^ovb A^o_ev Zwi Ab^ocv^ow^oZ^otZ AM^ovaK^ov^ot^oi m^ogv^obm^ov^ot^oi tPqvi g^ovb c^ov^ot^obj i m^om^o A^o_ev D^of^ot^oqi Ab^ocv^ow^oZ^otZ, D^ocw^oZ m^om^oMY KZ^oR w^obe^oq^oPZ tKv^tbv m^om^o mfv^ocwZ^o Ki t^e |
- (10) mi Kvi KZ^oR GZ^o t^ol^ot^ok^o w^oba^o Z Kg^oRZ^oMY cwi I t^o i Avg^oš^ot^oY cwi I t^o i mfvq thv^oM^o vb Ges mfv Av^ot^oj vP^ovq Ask^oM^oh^oY Ki tZ cvi t^e, Z^ot^o Z^ov^o i t^of^ovU w^oaK^ovi _vK^ot^oe bv |

- (11) tKvb cŕve msL`vMwi ô tfvtU MpxZ ntqtQ ev nq bvB Zv mfvwZ D³ mfvq `có Kti Rwbqtq w`teb|
- (12) mfvv Avtj vP`mPZ Kwimwi I „i“ZcY®welq tKvtrv wetklÁi gZvgZ cŕqvRb ntj cwi I` D³ welq ev welqmgñi Dci gZvgZ cŕvbi Rb` GK ev GKwaK wetklÁK mfvq AvgšY RvbtZ cvi te|

1.4.2. `vqx KugwU MVb I Gi Kvhewj

BDwbq cwi I` i Kvhewj mPvi“iŕc mæc` b Kievi Rb` wbgewYZ welqwi` i cŕZ`KwU mæc`K®GKwU Kti `vqx KugwU MVb Ki te|

- (K) A_® ms`vcb;
- (L) wmwve wbi xŕv I wmwvei ŕŕY;
- (M) Ki wbi fcy I Av`vq;
- (N) wkŕv, `ŕ` I cwi evi cwi Kí bv;
- (O) KwU, grm` I ci mæc` I Ab`vb` A_®wZK Dbqbgj K KvR;
- (P) cj Aekvŕtgv Dbqab, msi ŕŕY, i ŕŕYŕteŕŕY, BZ`w` ;
- (Q) AvBb-k;Lj v i ŕŕv;
- (R) Rbŕ-gZi wbeÜb;
- (S) m`wbtÜkb, cwmb mieivn I cqtwb®vkb;
- (T) mgvRKj`vY I `ŕhvŕ e`e`vcbv;
- (U) cwi ŕek Dbqab, cwi ŕek msi ŕŕY I eŕŕŕivcy;
- (V) cwi ewi K wetiva wimb, wix I wki Kj`vY (cveZ®PÆMŕgi Awævmŕ` i Rb` cŕhvR` nte bv);
- (W) ms`wZ I tLj vaj v|

Dwj wZ `vqx KugwU e`ZxZ cwi I`, cŕqvRtb tRjv cŕvmŕKi Abŕgv`bµtg, AwZwi ³ `vqx KugwU MVb KiŕZ cvi te| `vqx KugwU mfvwZ tKv-AcU m`m` e`ZxZ cwi I` i m`m`MŕYi ga` ntZ wbeŕPZ nteb Ges gwj vŕ` i Rb` msiwŕŕZ Avmb ntZ wbeŕPZ m`m`MY Ab`b GK-ZZxqysk `vqx KugwU mfvwZ `vKteb| BDwbq cwi I` i tPqvi gv`b i argvŕ AvBb k;Lj v welqK KugwU mfvwZ `vKteb| `vqx KugwU cuP t`ŕK mvZ m`m` wewkó nte Ges KugwU cŕqvRtb, wetklÁ tKv-AcU KiŕZ cvi te, Zte Zv` i tŕvUwaKvi `vKte bv| Ab`vb` m`m` `vbxq RbmvariŕYi ga` ntZ msŕk® KugwUŕZ Ae`vb i vLvi thvM`Zv mæubæe`w³ŕ` i ga` ntZ gŕbvbxZ nteb| `vqx KugwU mpcwi k cwi I` i cieZx®mfvg wetePbvi ci MpxZ nte| Zte tKvtrv mpcwi k BDwbq cwi I` MpxZ bv ntj Zvi h_v`Zv I KviY wj wLZfŕte `vqx KugwUŕK RvbtZ nte| `vqx KugwU mKj Kvhæviv cwi I` i mvariY mfvv Abŕgv`b mŕctŕŕ Poviš-nte| wbgwŕ wLZ KviŕY cwi I` tKvtrv `vqx KugwU tŕŕ0 w`ŕZ cvi te|

- (K) wewa tgvZŕteK wbgwZ mfv Avnŕvb KiŕZ bv cvi ŕj ;
- (L) wbaŕŕi Z tŕŕŕŕ µgvMZfŕte cwi I` tK ci vgk®cŕvte e`_®ŕj ;

A_ev

w`tZ cvi`teb| MpxZ Kvh`eg m`u`K`Pqvi g`vb cwi l`i cieZ`P mfvq c`iZ`te`b
Dc`vcb Ki`teb Ges D`3 c`iZ`te`b cwi l`i mfvq Ab`tgw` Z n`tZ n`te| ew`Y` `wqZ;
QrovI cwi l`i tPqvi g`vb wbgew`Y`Z `f`gZv c`i`qvM Ki`teb :

(K) cwi l`i mfvq cwi l`i msuk`e-KgR`Z`P`ev KgP`vixMY I Ab`vb` mi Kwi `B`ti
msuk`e-KgR`Z`P`ev KgP`vixM`t`Yi Dcw`w`Z w`b`w`O`Z Ki`teb|

(L) `vbxq mi Kvi (BDw`bqb cwi l`) AvBb-2009 ev Gi Aaxb c`i`xZ weia cwi cwi`S`
Ges c`k`v`m`b`K wek;Ljvi Kvi`t`Y m`i`Pe Ges `v`b`v`S`w`i`Z Ab`vb` `B`ti KgR`Z`P`I
KgP`vix e`Z`xZ cwi l`i w`b`q`S`y`v`axb Ab`vb` KgP`vix`K c`i`qvR`tb h`_`v`h`_` c`x`w`Z
Ab`yni Y K`ti m`v`g`w`q`K ei Lv`-Ki`tZ cvi`teb| Z`te cwi l`i cieZ`P`m`v`avi`Y mfvq
Gifc m`v`g`w`q`K ei Lv`-Ab`tgw` Z n`tZ n`te Ab`_`v`q Zv Kvh`R`i n`te bv|

(M) tPqvi g`vb cwi l`i m`i`P`te`i w`b`KU n`tZ cwi l`i c`k`v`m`b`K we`l`q m`sp`u`S`-th
t`K`v`t`bv Kw`m`d`v`BW t`i`K`W`ev b`w`_`w`j w`L`Z`f`v`te Z`je Ki`tZ Ges AvBb I weia `O`v`v
w`b`a`f`i`Z c`x`w`Z`tZ Av`k` c`O`v`b Ki`tZ cvi`teb; Z`te w`Z`w`b Gifc t`K`v`t`bv Kw`m`d`v`BW
t`i`K`W`ev b`w`_`Z`je Ki`tZ cvi`teb bv, hv m`u`Y`P`f`c m`i`Pe ev msuk`e-KgR`Z`P`
w`b`R`-^Z`E`y`e`a`v`t`b`_`v`K`te|

(N) w`Z`w`b `v`bxq mi Kvi (BDw`bqb cwi l`) AvBb-2009 ev Gi Aaxb c`i`xZ weia
cwi cwi`S` Ges c`k`v`m`b`K wek;Ljv m`i`O`i Kvi`t`Y BDw`bqb ch`f`q KgP`Z KgR`Z`P`
KgP`vixmn cwi l`i w`b`q`S`y`v`axb Ab`vb` KgP`vix`i` wei`t`x h`_`v`h`_` KZ`E`t`f`i
w`b`KU c`i`qvR`bxq AvBb`v`b`M e`e`-v`M`b`t`Yi Rb` c`iZ`te`b t`c`O`Y Ki`tZ cvi`teb|

(O) Zvi we`te`P`bvq cwi l`i t`K`v`t`bv w`m`x`v`S`-`v`bxq mi Kvi (BDw`bqb cwi l`) AvBb-
2009 ev Ab` t`K`v`t`bv AvBb ev weia-w`e`a`v`t`bi cwi cwi`S` n`tj, A`_`ev Gifc w`m`x`v`S`-
ev`ew`q`Z n`tj Zv Rb`-v`-`, Rb`-v`-`O`I Rb`w`b`i`v`c`E`v we`c`b`e`K`i`te` etj we`te`w`P`Z
n`tj, w`Z`w`b Zv mi Kvi i w`b`KU t`c`O`Y Ki`teb|

cwi l`i w`b`e`f`ix ev Ab` t`K`v`t`bv Kvh`c`w`i l`i b`v`t`g MpxZ n`t`q`t`O` etj c`k`v`k` Kiv n`te
Ges Zv w`b`a`f`i`Z c`x`w`Z`tZ c`b`y`Y`K`Z n`tZ n`te| cwi l`i `b`w`b` b` t`m`e`v` c`O`v`b`g`j`K` `w`q`Z;
Z`j`w`i`S`Z K`ie`v`i` j`t`f`i` KgR`Z`P` i g`t`a` w`b`e`f`ix `f`g`Z`v` w`e`f`v`R`t`bi c`O`v`e` cwi l`i mfvq
Ab`tgw` Z n`tZ n`te Ges c`i`qvR`b`t`e`v`t`a, m`g`t`q` m`g`t`q` Zv m`st`k`v`a`t`bi GLw`Z`qvi cwi l`i
_`v`K`te|

1.4.4. cwi l`i Kvh`ewj

cwi l`i c`a`v`b Kvh`ewj n`te w`b`g`e`f`c:

(K) c`k`v`m`b I m`-v`cb we`l`q`w` ;

(L) Rbk;Ljv i`f`v;

(M) RbKj `v`Y`g`j`K Kvh`m`c`w`K`Z` t`m`e`v; Ges

(N) `v`bxq A`_`w`b`Z`K I m`v`g`w`R`K D`b`q`b m`c`w`K`Z` cwi K`i`bv c`i`q`b I e`v`-e`v`q`b|
mi Kvi m`v`avi`Y I m`si`w`f`i`Z Av`m`t`bi m`-m`t`i` `w`q`Z; I KZ`E` weia `O`v`v` w`b`a`f`Y
Ki`tZ cvi`teb|

1.4.5. tPqvi g'vb c'v'bj

cwi l` MwZ nI qvi ci c'g AbjōZ m'vi 30 (wī k) Kvh' e'tmi g'ta" AMōaKvi μtg wZb m`m'wēnkó GKuU tPqvi g'vb c'v'bj , m`m'MY Zv' i wbtR' i ga" nBtZ wbe'Pb Ki'eb| wZbRb tPqvi g'vb c'v'bj i g'ta" Kgct' GKRb msi'w'Z Avmt'bi g'w'j v m`m'Mt'Yi ga" n'tZ wbe'PZ n'teb| Abjcw'wZ, Amy'Zv'tnZi ev Ab" th tKv'tbv Kvi t'Y tPqvi g'vb `wqZi cvj t'b Amg_ēn'tj wZwb c'p'ivq `xq `wqZi cvj t'b mg_ēv nI qv chē- tPqvi g'v'bi c'v'bj n'tZ AMōaKvi μtg GKRb m`m' tPqvi g'v'bi `wqZi cvj b Ki'eb| c'Z'vM, Ac'mviY, gZi'RubZ A_ev Ab" th tKv'tbv Kvi t'Y tPqvi g'v'bi c' kb" n'tj wbe'PZ bZ'b tPqvi g'vb Kvh'vi MōY bv Kiv chē-tPqvi g'v'bi c'v'bj n'tZ AMōaKvi μtg GKRb m`m' tPqvi g'v'bi `wqZi cvj b Ki'eb| tPqvi g'v'bi c'v'bj f'p m`m'MY A'thvM" n'tj A_ev e'w'³MZ Kvi t'Y `wqZi cvj t'b Am'w'Z Ávcb Ki'tj cwi l' i w'x'š'μtg bZ'b tPqvi g'v'bi c'v'bj `Zwi Kiv h'te| m`m't' i ga" n'tZ tPqvi g'v'bi c'v'bj c'Z Kiv bv n'tj , mi Kvi c'ōqv'Rb Abjv'ti , m`m'Mt'Yi ga" n'tZ tPqvi g'v'bi c'v'bj `Zwi Ki'tZ cv'ite|

1.5. BDw'q'q' cwi l' i c'w'j k l Mōg c'ōZi 'v' w'el q'K Kvh'ēw'j

mi Kvi , mg'tq mg'tq , Pwn`v t'g'v'v'teK MōgxY G'j v'Kvq Mōg c'w'j k ew'nbx MVb Ki'tZ cv'ite Ges mi Kvi KZ' D³ Mōg c'w'j k ew'nbx wbt'q'vM, c'ōk'v'Y , k;Lj v Ges Pv'Kwi i kZ'v'w'j w'bv'PY Kiv n'te| mi Kvi th'ifc wbt`R c'ōvb Ki'te Mōg c'w'j k t'm'ifc 'v'lgZv c'ōq'vM l `wqZi cvj b Ki'te| t'Rjv c'ōk'v't'Ki w'bkU h'w' c'Z'x'q'g'vb nq th, t'Kv'tbv BDw'q'q' ev Zvi Ask w'et'k'tl R'w'bi v'c'ēv l Mōg c'ōZi 'v' w'el t'q w'et'k'l e'e`v Mō't'Yi c'ōq'v'Rb i't'q'tQ t'm t'v'f'f' D³ G'j v'Kvi c'ōB'eq`c m'v'lg e'w'³MY'tK Av't`tk Dw'j w'ēZ c'x'w'Z'tZ MYc'v'v'ivq wbt'q'v'RZ Ki'tZ cv'ite| Av't`k R'wii Kiv n'tj BDw'q'q' cwi l` Av't`tk Dw'j w'ēZ 'v'lgZv c'ōq'vM l `wqZi cvj b Ki'te|

1.6. BDw'q'q' cwi l' i c'ōZ mi K'v't'i i Ab'v'b" Kg'R'Z'f' `wqZi

1.6.1. mi K'v't'i i `wqZi

mi K'v't'i i `wqZi n't"Q BDw'q'q' cwi l` m's'μ'v'š`w'bg'ew'Y'Z Aa'v't`k, Av'Bb, w'ewa/c'ē'ewa, m'v'K'p'vi , cwi c'ī BZ`w` R'wii Kiv|

- BDw'q'q' cwi l' i tPqvi g'vb l m`m' wbe'Pb Ges GZ` m'w'ū'w'K'Z w'el q'w'ew'j |
- BDw'q'q' cwi l' i tPqvi g'vb l m`m't' i 'v'lgZv, KZ'ē" l `wqZy'ew'j |
- Mōg c'w'j k m'w'ū't'K'BDw'q'q' cwi l' i `wqZi| Mōg c'w'j t'ki wbt'q'vM, c'ōk'v'Y l k;Lj v m'w'ū'w'K'Z w'ew'bv'ew'j |
- Kw'l , w'k'í , m'v'g'w'RK D'w'q'q' , Lv`"km" Drcv`b BZ`w` m'w'ū't'K'BDw'q'q' cwi l' i f'w'g'Kv w'bv'f'Y |
- BDw'q'q' cwi l' i Kg'p'v'ix't' i wbt'q'vM l Pv'Kwi i w'ew'bv'ew'j |
- BDw'q'q' cwi l' i Zn'w'ej l w'et'k'l Zn'w'ej e'ē'v'v't'i i cwi K'í bv, w'b'q's'Y , i 'v'Yv'te'v'Y l w'ew'bv'ew'j m'w'ū'w'K'Z w'ew'bv'ew'j |

- evfRU c^rZ, Abtgv`b Ges GZ`msµvš-Ab`vb` Kvhewj |
 - Dbq̄b cwi Kí bv cŕZ, Abtgv`b Ges ev`evqb |
 - Ki, tiU wdm BZ`w` wbaŕY I Av`vq Ges GZ`msµvš-wel qvewj |
hw` tKvfbv BDwbq̄b Rb`ŕ`weti vax KvR Kti ev Zvt`i Dci AwcZ`wqZ;h_vh_fvte
cvj tb e`ŕq Zvntj mi Kvi H BDwbq̄b cwi I`ewZj Ki tZ cvti |
- 1.6.2. `vbxq chŕqi mi Kwii KgRZMtiYi BDwbq̄b cwi I t`i wel tq`wqZ;
tRj v cŕvmK

- BDwbq̄b cwi I t`i Ki wbaŕY cŕve Abtgv`b |
 - BDwc mµPeMtiYi wbtqvM I e`wj |
 - BDwc tPqvi g`vbMtiYi kc_ Abŕvb AvtqvRb |
 - AwWU wi tcvfUP gZvgtZi Dci wfvE Kti cŕqvRbxq e`e`v MŕtiYi wbt`R cŕvb |
 - BDwbq̄b cwi I t`i tPqvi g`vb, m`m` I mµPeMtiYi wei`tx AvbxZ AwfthvM Z`š-
Kiv |
 - BDwbq̄b cwi I`cwi`kŕ |
 - Mŕg cvj k I BDwc mµPeMtiYi teZtbi mi Kwii Ask weZiY |
 - BDwbq̄b cwi I`tPqvi g`vb I m`m`MtiYi mŕŕvbxfvZv weZiY |
 - BDwbq̄b cwi I t`i tPqvi g`vbMtiYi cŕkŕtiYi AvtqvRb Kiv |
 - GK ev GKwaK BDwbq̄tbi ga`Kvi weti va wbi mb Kiv |
 - BDwbq̄b cwi I`tPqvi g`vbMtiYi mŕú`weei Yx MŕhY |
- (Gj wRGmwc:2 ev`evqtbi mvf`mswkŕ)

- tRj v cŕvmK tRj v mgšŕ KvgUwi mfvq mswkŕ-tRj vq cŕkŕi mweR ev`evqb
AMMwZ chŕj vPbv Ki tŕb |
- `vbxq chŕq cŕKí ev`evqt̄b mgn`vmgn mgvavt̄b cŕqvRbxq mnvqZv I wbt`Rbv
cŕvb Ki tŕb |
- BDwbq̄b cwi I`mgnŕK cŕqvRbxq Kwii Mwi mnvqZv cŕvtb mi Kwii weirfbæwefvMtiK
wbt`Rbv cŕvb Ki tŕb |

Dccwi Pvj K, `vbxq mi Kvi

- cŕZ gvŕm AšZ 5(cuP)w BDwbq̄b cwi I`cwi`kŕ I gvbUwi s Kiv |
- BDwbq̄b cwi I`tPqvi g`vbMtiYi cŕkŕtiYi msµvš-mfv AvtqvRb |
- BDwbq̄b cwi I t`i tPqvi g`vb, m`m` Ges mµPe mŕútkŕDÌ wcz AwfthvM cŕqvRbxq
e`e`v MŕtiYi Rb` tRj v cŕvmKti wbuKU cŕve tŕŕY |
- BDwbq̄b cwi I t`i tPqvi g`vb m`m` mµPe Ges Mŕg cvj tki mŕŕvbx/teZtbi mi Kwii
Ask cŕvtbi cŕqvRbxq e`e`v MŕhY |
- tRj v cŕvmK KZŕ cŕE BDwbq̄b cwi I`msµvš-th tKvfbv wbt`R I`wqZ;cvj b |

(Gj wRGmuc:2 ev⁻evqtbi mv₊ msuké)

- BDuc cwi`kθ, cKí ev⁻evqb chf_q gubUwi s |
- tRj v chf_qi cōZte`b cŶqb |
- tRj v I Dc†Rj v chf_q cĭk¶Y msuké-tcōi Z Znej e⁻vcbv |
- BDuc cwi Kí bv Abhvqx AwWU KvhŶg cwi Pvj bvi wel q wbuōZKi Y |
- tRj v mgšq KugwJi m`m` miPe wntmte `wqZj cvj b |

Dc†Rj v wbeŶx Awcumi (UNO)

- BDubqb cwi I† i I qvŶWŶ mxgvbv wbaŶ† Yi Rb` mxgvbv wbaŶ Y KgRZŶI mnKvi x mxgvbv wbaŶ Y KgRZŶ wbtqvM Kiv |
- AvBvbŶhvqx tRj v cĭkmK BDubqb cwi I` mspvš-th mKj wbt`R cōvb Ki teb Zv cōZcj b Kiv |
- BDubqb cwi I` KZŶ tckKZ BDubqb cwi I† i ev†RU chf_q vPbv K†i 30 (wĭk) w`†bi g†a` tdi Z cōvb Kiv Ges cōqvRb ntj gZvgZ cōvb |
- BDubqb cwi I† i Avq-e†qi wmwve cōZte`b Dc†Rj v chf_q GKwĭ Z K†i tRj v cĭkmK eive†i tcōY |
- BDubqb cwi I† i tPqvi g`vb, m`m` I mw†ei wei†x AvbxZ Awf†hvM m⁺utK⁺ tRj v cĭkm†Ki wbt`¶k Z`š-cwi Pvj bv Kiv |
- tRj v cĭkm†Ki wbt`¶k BDubqb cwi I` m⁺utK⁺Ab` th tKv†bv `wqZj cvj b |

(Gj wRGmuc:2 ev⁻evqtbi mv₊ msuké)

- wewRimw†Z AvnŶvqK wntmte w`g chf_q vPbv |
- w`g ev⁻evqb Kiv Z`vi wK Ki teb |
- Dc†Rj v cwi I` mfvq Gj wRGmuc:2- Gi ev⁻evqb AMŶwZ Dc`vcb |
- BDuc KZŶ `wĭj KZ cwi Kí bv/ev†RU chf_q vPbv K†i gZvgZ cōvb |
- wōZxq Gj wRGmuc ev⁻evqb m⁺utK⁺ BDuc chf_qi wewfba KugwJi AvcwĒ/θ;θ wbi mb |
- wōZxq Gj wRGmuc KvhŶg m⁺utK⁺ Z`vi wK cōZte`b tRj v I `vbxq mi Kvi wefv†Mi woku tcōY |
- BDubqb cwi I† i AwWU AvcwĒ m⁺utK⁺ eWkxU Reite gZvgZ cōvb |
- URT cōvb wntmte BDuci m¶gZv ewx†Z mrvqZv |

tRj v mrvqK (wWGd)

- cōZ tRj vq GKrb tRj v mrvqK (wWGd) `wqZj cvj b Ki teb | Zte tKv†bv tRj vq 100- Gi Awak BDubqb cwi I` _vK†j 2 Rb wWGd `wqZj cvj b Ki teb;
- wōZxq Gj wRGmuc ev⁻evqtbi wbu`θ `wqZj cvj †bi Rb` Dccwi Pvj K `vbxq mi Kvi, wewRimw I BDubqb cwi I` †K tRj v mrvqK (wWGd) mrvqZv cōvb Ki teb;

- Dccwi Puj K `vbxq mi Kvi Ges Dc`Rjv wbev`x Awdmvi MY`K `vbxq mi Kvi c`Z`ovmg`ni gub`lwi s l Z`vi wK Kvh`p`tg mnvqZv c`vb Ki`teb;
- w`Z`xq Gj wRGmuc ev`evq`bi AM`wiz ch`p`j vPbvi Rb` tRjv mgš`q Kug`wi mfv Ab`p`tb Dccwi Puj K `vbxq mi Kvi`K mnvqZv c`vb Ki`teb;
- Dc`Rjv wi`tmvm`wJg KZ`R c`E` c`k`qY Kvh`p`tgi ,YMZgvb w`w`Z`Ki`Y c`q`vRbxq e`e`v M`Ymn wi`tdkvi c`k`qY Av`q`vRb Ges cvi`uwi K w`Lb Kvh`p`tg mnvqZv c`vb Ki`teb;
- w`Z`xq Gj wRGmuc ev`evq`bi `Umg`n w`P`y`Z`Ki`Y Ges Zv mst`kva`tb BD`wbq cwi l``K ci`vgk`c`vb Ki`teb;
- BD`wbq cwi l``i l`vb`w`m`K c`Z`te`b `vbxq mi Kvi w`fv`M h`_v`mg`tq t`c`Y w`w`Z`Ki`Y|

BD`wbq cwi l``mg`n hv`Z Kw`i Mwi w`fv`Mmg`ni mnvqZv cvq`tmRb` Dccwi Puj K `vbxq mi Kvi Ges Dc`Rjv wbev`x Awdmvi`K mnvqZv c`vb Ki`teb|

1.7. BD`wbq cwi l`` KZ`R mgš`q

`vbxq mi Kvi (BD`wbq cwi l``) AvBb 2009-Gi aviv 63-tZ mi Kwi Kg`R`Z`P Kg`P`vi`x`i cwi l`` n`v`š`i mi Kvi`i q`lg`Zvi weavb i`t`q`Q| n`v`š`i Z Kg`R`Z`P Kg`P`vi`x`i MY Zv`i w`b`q`g`Z `w`q`Zi cvj`tbi cvkvc`wk cwi l`` KZ`R c`E` `w`q`Zi cvj`b Ki`teb| D³ AvB`tbi ZZ`xq Z`d`w`t`j tm mKj Kg`R`Z`P l Kg`P`vi`x`i Zwi`j Kv` t`l`q`v Av`Q|

mi Kvi w`b`g`w`y`Z Kg`R`Z`P l Kg`P`vi`x`i BD`wbq cwi l`` b`-Ki`Z cv`t`i`b

µ`g`K bs	gš`y`j`q/w`fv`M`i` bvg		BD`wbq cwi l``i w`b`K`U` b`-K`Z` mi Kvi`i `Bi l Kvh`e`uj
1	`vbxq mi Kvi w`fv`M	1.	`vbxq mi Kvi c`k`K`š`k`j Aw`a`B`i`i Aaxb`-`Dc-mnKvi`x c`k`K`š`k`j`x, Rbej l Zv`n`v`i`i Kvh`e`uj
		2.	Rb`-`v`-` c`k`K`š`k`j Aw`a`B`i`i Aaxb`-` w`J`De`l`t`q`j tg`K`w`b`K, Rbej l Zv`i`i Kvh`e`uj
2	Kw`l gš`y`j`q		Kw`l m`a`c`h`n`i`Y Aw`a`B`i`i Aaxb`-`Dc-mnKvi`x Kw`l m`a`c`h`n`i`Y Kg`R`Z`P, Rbej l Zv`i`i Kvh`e`uj
3	`v`-`v` l cwi`evi Kj`v`Y gš`y`j`q	1.	`v`-`v` Aw`a`B`i`i Aaxb`-` `v`-`v` cwi`k`R Ges mnKvi`x `v`-`v` cwi`k`R, Rbej l Zv`i`i Kvh`e`uj
		2.	cwi`evi cwi`K`i`bv Aw`a`B`i`i Aaxb`-` cwi`evi Kj`v`Y cwi`k`R l cwi`evi Kj`v`Y mnKvi`x, Rbej Ges Zv`i`i Kvh`e`uj

4	c0_wgK I MYnk¶v gšŸvj q		c0_wgK nk¶v Awa`Bti i Aaxb` mnKvix nk¶v KgRZ®, Rbej I Zvf` i KvhŸej
5	grm` I ci mæú` gšŸvj q		grm` I ci mæú` Awa`Bti i Aaxb` ††U†i bwi wdi GwmmU`wU Ges ††U†i bwi wdi GwmmU`wU (Kwlg cRbb), Rbej I Zvf` i KvhŸej
6	mgvRKj`vY gšŸvj q		mgvR†mev Awa`Bti i Aaxb` BDwbq mgvRKg®, Rbej I Zvf` i KvhŸej
7	ˆ†vo` gšŸvj q		Avbmvi I wfwWw Awa`Bti i Aaxb` BDwbq `j †bZv, Rbej I Zvf` i KvhŸej

ˆvbxq mi Kvi (BDwbq cwi I`) AvBb, 2009-Gi 95 avivq c0E ¶lgZvetj wbgieŸ
fvte BDwbq Dbqeb mgšŸ KugwU MVb Kiv nq:

BDwbq Dbqeb mgšŸ KugwU (UDCC)i MVb :

1	†Pqvi g`vb, BDwbq cwi I`	mfvwZ
2	BDwbq cwi I†` i mKj` m`m`	m`m`
3	BDwbq cwi I†` i ˆvqx KugwUmg†ni m`m`MY	m`m`
4	Dc-mnKvix c0Kvkj x, ˆvbxq mi Kvi c0Kškj Awa`Bi	m`m`
5	mnKvix Dc†Rj v c0_wgK nk¶v KgRZv®	m`m`
6	Dc-mnKvix Kwł mæc†hvi Y KgRZv®, Kwł mæc†hvi Y Awa`Bi	m`m`
7	††U†i bwi wdi G`wmmU`wU, c0Yx mæú` Awa`Bi	m`m`
8	††U†i bwi wdi G`wmmU`wU (Kwlg cRbb), c0Yx mæú` Awa`Bi	m`m`
9	wdi GwmmU`wU, grm` Awa`Bi	m`m`
10	Dc-mnKvix KugDwbU ˆ†` KgRZv®, ˆ†` Awa`Bi	m`m`
11	ˆ†` cwi` kR, ˆ†` Awa`Bi	m`m`
12	mnKvix ˆ†` cwi` kR, ˆ†` Awa`Bi	m`m`
13	cwi evi Kj`vY cwi` kR, cwi evi cwi Kí bv Awa`Bi	m`m`
14	cwi evi Kj`vY mnKvix, cwi evi cwi Kí bv Awa`Bi	m`m`
15	BDwbq mgvRKg®, mgvR†mev Awa`Bi	m`m`
16	BDwbq `j †bZv, Avbmvi I wfwWw	m`m`
17	wUDeł †qj tgKwłK, Rb ˆ†` c0Kškj Awa`Bi	m`m`
18	KugDwbU AMv†vBRvi, ˆvbxq mi Kvi c0Kškj Awa`Bi	m`m`
19	gvW mšMVK, evsj v†` k c j x-Dbqeb tewW®	m`m`
20	g`v†i R ti wR ÷†i (KvRx) [AvBb, wPvi I msm` wel qK gšŸvj q KZR w†qM c0B]	m`m`
21	w`vj q e`vcbv KugwU c0Zwbwa (gva`wgK w`vj †qi 1 Rb, c0_wgK w`vj †qi 1 Rb)	m`m`

22	BDıvq b Gj vKvi gvV chvřq KgřZ GbıRI cıZıvıa (1 Rb)	m`m`
23	`vbxq chvřq msMıvZ mgvRıvıEİK (mıgıvZ, Kve) msMıvıbi cıZıvıa (1 Rb)	m`m`
24	`vbxq e`emvqx cıZıvıa (1 Rb)	m`m`
25	Bgvıg I agvřq tbZvř` i cıZıvıa (1 Rb)	m`m`
26	bvıx cıZıvıa (2 Rb)	m`m`
27	mıPe, BDıvq b cıı I`	m`m`-mıPe

DcřRj v chvřqı `Bi cıvıbMY BDıvq b Dbq b KıgıvıZ BDıvq bı qvıı m`m` gřbvq b cıvıb Kite| Ab`vb` řřřř BDıvq b cıı I` mıvııY mfvq Avřj vPbv Kři m`m` gřbvıxZ Kite| mKj m`m` gřbvıxZ nıqıı ci BDıvq b cıı I` G Kıgıvı msıvř- GKıvı Aıvıd m Avř`k Rvıı Kite Ges msıvř- mKj řK AevıZ Kite| b`bcřř cıZ `řgvřm GKevı BDıvq b Dbq b mgřř Kıgıvıı mfvı AbıřZ nře| mfvı Abıřıvıı 03 Kvhř etıı gřa` mfvıı KvhřeiYx cıZ KıřZ nře Ges 07 Kvhř etıı gřa` D³ KvhřeiYx DcřRj v řPqıı gıvı, DcřRj v vıevıř Aıvıd mıvı mıvı mıvı mKj KgřZvıı m`m`ř` i eıvřıı řcıY KıřZ nře| KvhřeiYx cıřZ vıřgıvıř 00K0 e`envıı Kıv řřZ cıřıı:

ıvıgK bs	Avřj vP`mıP	Avřj vPbv	vıvıř-	`vıZcıř ms`v/e`ıv ³

cıZıvı mfvıı AřZ 07 Kvhř em cře`ıvıMıZ mfvıı vıvıřmgřııı ev`evq b AMıvıZı cıZıe`bıvı mıvı mKj řK mfvıı DcıvıZ `vKıı Rb` vıvıvı Rvıı Kıv řřZ cıřıı | BDıvq b Dbq b mgřř Kıgıvıı mfvıı mKj vıvıř- DcıvıZ mıvıvıı 0 m`m`řıYı gZvıgřZı vıvıřZ MıvıZ nře| cıZ 03 vıvıı cıvıb cıvıb Avřj vPbv, vıvıřmgıvı Ges ev`evq b AMıvıZ mıvııZ GKıvı cıZıe`b DcřRj v chvřqı mKj Aıvıd mıvı, DcřRj v vıevıř Aıvıd mıvı Ges řRj v cıvıvıřıı vıvıvı řcıY KıřZ nře|

BDıvq b Dbq b mgřř Kıgıvıı Kvhřııı :

- (1) BDıvq b Dbq b mgřř Kıgıvıı mıvııYřııı BDıvq bıı mKj Av`ıvıvıvıRK Dbq b Kgřvıřıı cıı Kıı vıvıvı, ev`evq b I mgřř Kite ;
- (2) BDıvq bıı AvBb-kıřj v iřřvı Ges AvBb-kıřj v cıı vıvıZ Dbq bı cıvıvıvıvı e`e`v MıvıY Kite;
- (3) BDıvq b chvřq KgřZ mKj vıvıvıvı Dbq b Kgřvıř ev`evq b AMıvıZ chvřq vPbv Kite Ges cıvıvıvıvı řřřř mıvıı k cıvıb I mıvıvıK cıı řek mıvıřZ mıvıvıvıvı Kite;
- (4) mıvıvıvı BDıvq bıı vıvıvı tıevı cıvıb cıı vıvıZ chvřq vPbv Kite; ev`evıvıřK Pıvıvı vıvıvıvı evıvıvıvıvı KgřZ mKj Dbq b mıvıvıvıvı gıvıř vıvıvıvıvı Pıvıvı vıvıvıvıvı Kgıvıı Kıı vıvıvıvı I mgřř mıvıvıvıvı Kite ;

- (5) msiké-BDwbqṭbi RbmaviṭYi Rxebgvb Dbqṭb mKj Dbqṭb mnṭhvMx ṭṭK cōB mṭú` e`envṭi mgšqṭ mvab Kiṭe ;
- (6) ṭvbxq RbmaviṭYi mvṭṭ wewfba:Dbqṭb mnṭhvMx, tmev mieivn ṭK`ṭ; DcṭRjv cwi l` BZ`w` cōZōvb/e`wṭetMṭ Nubō thvMvṭhvM ṭvcb l mgšqṭ mvab Kiṭe ;
- (7) ṭvbxq mṭúṭ` i mṭ`envṭi ev`e c`ṭṭc MōY Kiṭe ;
- (8) BDwbqṭb GjvKvq KgṭZ weirfba: ms`v/e`wṭeMṭ KZṬ mṭúw` Z Kvṭṭṭgi gj`vqṭbi wfvēṭZ cj`vi cōvṭbi e`e`v MōY Kiṭe ;
- (9) ṭvbxq Dbqṭb D`vniY mṭvōKvix fij wkṭYmgṭni Z` msMō Ges wōR GjvKvq ev`evqṭṭhvM` wkṭYmgṭ Abjṭvṭbi gva`ṭg hvPvB l ev`evqṭṭbi c`ṭṭc MōY Kiṭe ;
- (10) BDwbqṭbevmxi Rxebgvb Dbqṭb cōqvRbxq e`e`v MōY Kiṭe |

2. cwi lṭ` i Avw`Ṭ e`e`vcbv, mṭúw` l Znnej

2.1. Avw`Ṭ e`e`vcbv

2.1.1. cwi lṭ` i mṭcūṬ ARṭ, ṭṭj ivLvi l wōcūṬ Kivi ṭṭgZv

- (1) cōZ`K cwi lṭ` i mṭcūṬ ARṭbi, ṭṭj ivLvi l wōcūṬ Kivi Ges Pwṭex nlqvi ṭṭgZv ṭvKṭe| Zte ṭvei mṭcūṬ ARṭ ev wōcūṬei ṭṭṭṭ cwi lṭ`K miKvṭi ceṭṭṭṭ b MōY KiṭZ nṭe|
- (2) mi Kvi wbgewṬ wēlṭq wēva cṭṭqṭ KiṭZ cviṭe:
 - (K) cwi lṭ` i gwj Kvbxv ev Gi Dci b`-mṭúw`ei e`e`vcbv, i ṭṭYṭeṭṭY, n`všṭ wōqšṬ l Dbqṭb msṭvšṭ
 - (L) cwi lṭ` i Rb` cōqvRbxq ṭvei mṭúw` AwamōY msṭvšṭ
- (3) cwi l` cōeavb ṭviv wbaṭi Z cṭwZṭZ:
 - (K) gwj Kvbxv ev Zvi Dci ev Zvi Zēyavṭb b`-th ṭKvṭbv mṭcūṬei e`e`vcbv, i ṭṭYṭeṭṭY, cwi`kṭ l Dbqṭb KiṭZ cviṭe|
 - (L) ṭvbxq mi Kvi (BDwbqṭb cwi l`) AvBb 2009 ev wēvai Dṭṭk` cṭYKṭṭ Dṭ mṭcūṬ KvṭR j vMṭZ cviṭe; Ges
 - (M) ṭvb, wēṭq, eŪK, BRviv, wēwṭṭṭṭi gva`ṭg th ṭKvṭbv mṭcūṬ wēva Abṭvqx ARṭ ev n`všṭ KiṭZ cviṭe|
- (4) cwi l` h_vh_ Rwiṭci gva`ṭg Gi wōqšṬvaxb mKj mṭcūṬei wēeiYw` cōZ Kṭi cōZ ermi Zv njvṭv` Kiṭe Ges, cōhvR` ṭṭṭṭ, mṭcṭ`i wēeiYx, gvṭvPṭ cōZ Kṭi Gi GKw Abjṭw wbaṭi Z KZṭṭṭi wōKU ṭcōY Kiṭe|
- (5) ṭvbxq mi Kvi (BDwbqṭb cwi l`) AvBb 2009 AvBb ev wēva ṭviv wbaṭi Z cṭwZ Dṭcṭṭ ev jsNb Kṭi hw` mṭúw` ARṭ, ṭṭj l wōcūṬ Kiv nq, Zvṭṭj, Zv A%ea etj MY` nṭe Ges msiké-wmṭvš-MōY l cōvbKvix e`wṭ ev e`wṭMY G AvBṭbi wēavb Abṭvqx kw`-cōB nṭeb|

2.1.2. cwi l` m`c` n`vš`

mi Kvi, tKv`bv cwi l` ev Gi `vbxq Awat`i gta` Aew`Z tKv`bv mi Kwi m`cwi` msik` AvBb ev wea-weavb Abhvqx D³ cwi l` tK n`vš` Ki tZ cwi te Ges Gifc m`cwi` H cwi l` eZ`e I Gi wqš`vaxtb `vKte|

2.1.3. cwi l` i Znvej

- (1) c`Z`K BDwbq cwi l` i Rb` msik`-cwi l` i bvtg GKw Znvej `vKte|
- (2) MwZ Znvej wbgew`Z Drmmgn t` tK c`B A`Rgv nte :
 - (K) mi Kvi KZ`R c` E Abj vb I g`yi |
 - (L) `vbxq mi Kvi (BDwbq cwi l`) AvBb 2009-Gi weavb Abhvqx mi Kvi KZ`R wba`i Z mKj `vbxq Drm ntZ Avq|
 - (M) Ab` tKv`bv cwi l` wKsev tKv`bv `vbxq KZ`R KZ`R c` E Abj vb I g`yi |
 - (N) mi Kvi KZ`R g`y`xKZ FYmg` (hw` `v`K)|
 - (O) cwi l` KZ`R, c`hvR` t`i`T, Av`vqKZ mKj Ki, tiBU, tUvj I wdm eve` c`B A`
 - (P) cwi l` i Dci b`-Ges cwi l` KZ`R wbg`Z ev wqš`Z ev cwi Pwvj Z we`vj q, nvmcvZvj, JIavj q, feb, c`Z`vb ev cZ`vR t` tK c`B mKj Avq ev g`v`v|
 - (Q) tKv`bv U` ÷ i w`KU t` tK Dct`X`Kb ev Abj vb wnt`te c`B A`
 - (R) `vbxq mi Kvi (BDwbq cwi l`) AvBb 2009-Gi weavb Abhvqx c`B Rwi g`v`v I A``Ei A`
 - (S) cwi l` KZ`R c`B Ab` mKj c`Kvi A`
 - (T) G AvBb Kvh`i nI qvi mgq msik`-BDwbq cwi l` i m`y`GLwZqvti `vKv D`E Znvej |

2.1.4 cwi l` i e`q

- (1) Znvej i A`bg`j wLZ LvZmg`n AM`aKvi wfw`E`Z e`q Ki tZ nte,
 - (K) cwi l` i Kg`R`Z`I Kg`vix` i teZb I fvZv c`vb;
 - (L) `vbxq mi Kvi (BDwbq cwi l`) AvBb 2009-Gi Aaxb Znvej i Dci `vqhy` e`q;
 - (M) AvBb ev Aa`v`k `v`v b`-cwi l` i `wqZi m`cv`b I KZ`R` cyj`bi Rb` e`q;
 - (N) wba`i Z KZ`R`i cef`g`v b`vtg cwi l` KZ`R tNwl Z Znvej i Dci `vqhy` e`q;
 - (O) mi Kvi KZ`R cwi l` i Dci tNwl Z `vqhy` e`q|
- (2) `vbxq mi Kvi (BDwbq cwi l`) AvBb 2009-Gi D`i`k` c`YK`i cwi l` thi`c Dch` g`b Kite cwi l` i Znvej ntZ tmBifc A`e`q Kivi `lgZv Zvi `vKte|

(3) Znwejtj Rgv LvZ D0E A_©mi Kvi mgto mgto thifc wbt`R w`te, tmi fc LvZ e`q nte|

(4) cwil`i Znwej cwil` tPqvi g`vb l mwp`tei thS_`v`ti cwipwj Z nte|

2.1.5. cwil`i Znwej msi`Y ev wewbtqM Ges we`kl Znwej MVb

cwil`i Znwejtj RgvKZ A_©tKv`bv mi Kwi tURwi tZ ev mi Kwi tURwi i Kv`h` cwipvj bvkvi x tKv`bv e`vstK ev mi Kvi KZR mgto mgto wba`ni Z Ab` tKv`bv Aw`R c0Zov`b Rgv ivL tZ nte| cwil` wewa 0viv wba`ni Z cxwZ tZ cwil`i Znwejtj i th tKv`bv Ask wewbtqM KitZ cvi te| cwil`, mi Kvti i ce`b`tg`b`m`tg, tKv`bv we`kl Df`i`k` c`K Znwej MVb KitZ cvi te hv mi Kvi KZR wba`ni Z cxwZ tZ cwipwj Z nte|

2.1.6. `vqh` e`q

(1) cwil` Znwejtj i Dci `vqh` e`q wbg`fc nte:

(K) cwil`i Pvkwi tZ wbtqM RZ mKj KgRZ`P l KgPvi x`K (tc0`Y wbtqM c0B wKsev wBR`) teZb l fvZv wnt`m`te c0`q mgj`q A_©

(L) mi Kvi KZR wbt`KZ cwil`i wbe`Pb cwipvj bv, wnmve wbi x`Y ev mgto mgto mi Kvti i wbt`R`m`tg Ab` tKv`bv we`l`qi Rb` cwil` KZR c0`q A_©

(M) tKv`bv Av`vj Z ev U`Bej`bj KZR cwil`i wei`tx` c0E tKv`bv ivq, wWw`u ev ti v`q`v` Kv`h`Ki Kivi Rb` c0q`Rbxq A_© Ges

(N) mi Kvi KZR `vqh` etj tNwi Z Ab` th tKv`bv e`q|

(2) cwil`i Znwejtj i Dci `vqh` tKv`bv e`qi LvZ hw` tKv`bv A_©Acwi`tkwaZ `v`K, Zv ntj th e`w`3 ev e`w`3 etM`P tndvR tZ D`3 Znwej `vK`te tm e`w`3 ev e`w`3 etM`K mi Kvi, Av`k 0viv, D`3 Znwej ntZ hZ`i m`e` D`3 A_©cwitkva Kivi wbt`R w` tZ cvi te|

2.1.7. wnmve

(1) BDwbqbw cwil`i Avq l e`qi wnmve wba`ni Z cxwZ tZ l di`tg msi`Y KitZ nte|

(2) c0Z`K A_©erm`ii tk`l BDwbqbw cwil` D`3 A_©erm`ii Avq l e`qi wnmve c0Z`K i`te Ges BDwbqbw cwil`i mKj `vqx` Kvgu`U l Rbmvavi`Yi Dcw`wZ tZ Abj`oZ ev`RU Awatek`b G wnmve tck`K i`te|

(3) BDwbqbw cwil` cieZx`A_©erm`ii 60 (lvU) w`t`bi g`ta` cwil`i Avq-e`qi PevS`-wnmv`tei weeiY DctRjv wbe`P`x Awcwm`v`ii w`b`KU tc0Y`K i`te| DctRjv wbe`P`x Awcwmvi mgw`S`Z c0Z`te`b mi Kvi KZR wba`ni Z O`K tRjv c0kvm`t`Ki w`b`KU tc0Y`K i`te Ges tRjv c0kvm`t`Ki mgw`S`Z c0Z`te`b wba`ni Z O`K mi Kvti i w`b`KU tc0Y`K i`te|

12. cvBtc mieivn cvlbi Drm
13. we`jr mieivt`ni DcKiY
14. AvmevecĀ
15. hšcwZ

2.2.2. `vei m`u`E e`vcbv

BDwbq b cwil`tk Zvi mKj `vei m`u`Ei mtePP e`envi wlvwZ KiTZ nte| m`u`E mntr wlvwZKiY, m`u`E e`envt`i Dci h_vh_ wlvwZ, wevfbwDrm t`tk cB m`u`Ei mtePP e`envi l`wZzv cwinvt`i Rb` `vei m`u`E e`vcbv c`wZ wlvwZ Kiv DwPZ| 31 A±vei 2012-Gi cteBDwbq b cwil`ti GKwU wlvwZ di tg mKj `vqx l`vei m`u`Ei ZwiJ Kv cWZ KiTe| 30 Rb 2013-Gi gta` BDwbq b cwil`ti m`u`E tiwR`ti Pevs-Kiv Avek`K| GtZ e`ntj BDwbq b cwil` wevwr (75%) Ges wevwr eivl` cvl qvi AthvM` wevwrPZ nte|

2.2.3. kbv³KiY msL`v

m`e ntj AtgvPbxq Kwj Øviv cWZ`KwU m`u`Ei GKwU kbv³KiY msL`v w`tz nte| kbv³KiY msL`v cWv`bi Rb` GKwU mjbw` Ø AvBwU tKwU wnt`g AbjviY KiTZ nte| D`vniY `tfc: GKwU gvUj i v`vi b`f kbv³KiY msL`v nte ER 01-2011-001 (cWg msL`vU nte i v`vi Ae`vb m`u`KZ, wZxq msL`v mvj m`u`KZ, ZZxq msL`vU mvjK msL`v|

m`u`Ei kbv³KiY msL`vi D`vniY

m`u`Ei weeiY/ m`u`Ei aib	Ae`vb l`qW©	mq/ cWBi mvj	m`u`Ei mvjK	kbv³KiY msL`v
gvUj i v`v	07	2010	001	gvi v 072010001
Kw`u`Dvvi	00	2011	002	Kg 002011002

2.2.4. m`u` tiwR`ti

BDwbq b cwil`ti GKwU m`u` tiwR`ti `vKv Avek`K| BDwbq b cwil`ti mKj `vei Ges A`vei m`u`E G m`u` tiwR`ti ASfB nlqv mgxPxb| BDwbq b cwil`ti gvUj Kvbvaxb mKj wlvq m`u`E thgb i v`v, weR, Kvj fvU©, gv`KØ, cKai, AvmevecĀ, hšcwZ, feb BZ`w` m`u` tiwR`ti ZwiJ Kvfv` nte| cWZ`KwU m`u` m`tqi ZwiL, gj`, Znvetj i Drm, i`Yvte`Y Kv`Ri ZwiL, i`Yvte`Yi Rb` cWqRbxq At`P cwi gvY, i`Yvte`Yi Rb` cWqRbxq Znvetj i Drm BZ`w` meB m`u` tiwR`ti Dj l`vKte| tiwR`ti wlvwZ nvj bvMv` Kiv nte| cWZ eQti m`u`ti msL`v Ges cwi gvY H eQti m`tqi cwi gvYi mgvb nte| AwWU wJg Øviv cWZ eQi m`u` AwWU nte Ges Zv BDwbq b cwil`ti Aw`R e`vcvbi WKtgU wnt`mte MY` nte| wlvwP m`u` tiwR`ti i GKwU bgbv cWv Kiv ntj v :

məú` tɪwR ÷ tɪ :

μwgK bs	məú` i brg l Ae`vb	wbgʷ ev μtqi Zwi L	gj`	Znɛtj i Drm	mɛʃkl i ʃʃYtɛʃʃtɪYi Zwi L	e`wqZ At_ʃ cwi gvY	i ʃʃYtɛʃʃtɪY e`wqZ At_ʃ Drm	cieZi ^o i ʃʃYtɛʃʃtɪYi Zwi L	gʃe`

2.2.5. `wjj cɪw` msi ʃʃY

BDwɔqb cwi l t` i mKj məúwÉ l `wjj cɪw` msi ʃʃtɪYi wɛltq wbgewʷZ c×wZ AbmZ n l qv Avek`K:

- K) mKj məúwÉ məú` tɪwR ÷ tɪ fɪʃ n tɛ |
- L) mKj `wjj /WKtɔU avi vevnKfv tɛ msuké-dvBtj msi ʃʃY Ki tZ n tɛ |
- M) mKj WKtɔU dvBj, məú` tɪwR ÷ tɪ Aek`B wbi vc` tndvR tZ msi ʃʃY Ki tZ n tɛ | tKej ʃʃgZv c0B e`w3 A_ʃ tPqvi gv vb ev Zui t` l qv `wqZc0B e`w3 D3 WKtɔU ev `wjj w` tZ c0ekwaKvi _vK tɛ |
- N) tKv tɔv w`g ev`evqb mgvB n l qvi ci AšZ 5(cwP) eQi chS-G məúwKZ `wjj w` msi ʃʃY Ki tZ n tɛ |

2.2.6. `vqx məúwÉ wɛwɛj ɛt` R Kiv

tKv tɔv `vqx məúwÉ wɛwɛj ɛt` R Kiv wbfʃ K tɪ D3 məúwÉi Ae`vi Dci | GUv tKej BDwɔqb cwi l ` KZʃ h_vh_fv tɛ KZʃ; c0v tɔbi ci B n tZ cv tɪ | BDwɔqb cwi l t` i `vqx məúwÉ wbgewʷZ `wJ Dcv tɔ wɛwɛj ɛt` R Kiv th tZ cv tɪ :

- 1) wɛμtqi gva`tg, hLb G məúwÉ BDwɔqb cwi l ` ev RbM tɪYi Avi tKv tɔv c0qvRb n tɛ bv |
- 2) tɔtj t` l qv ev wɛb0 Kiv, hLb G məúwÉi Avi tKv tɔv Dc tɪvM _v tK bv | Df q tʃʃ tɪ məúwÉ wɛwɛj ɛt` R Kivi c tɛ Dchʃ KZʃ ʃʃ KZʃ mi Ruqtɔ məúwÉ cwi `k0 Ki tZ n tɛ | `vei məúwÉ wɛwɛj ɛt` R Kivi Av tM wbgewʷZ c` tʃʃc M0Y Ki tZ n tɛ:
- (1) məúwÉ e`envi Kvix ev Gi i ʃʃvKZʃʃK D3 məúwÉ wɛwɛj ɛt` R Kivi Abg wZ tP tɔ Dchʃ KZʃʃʃi w bKU wj wLZfv tɛ Ab tɪva Ki tZ n tɛ |
- (2) Ab tɪva cɪwJ Dchʃ KZʃʃʃ KZʃ chʃj vPbvi ci Ab tɔg w` Z n tZ n tɛ |

2.2.7. `vqx məúwÉ c0Z` ʃʃ cwi `k0

BDwɔqb cwi l t` i w bqšYvaxb mKj `vei məúwÉ BDwɔqb cwi l ` KZʃ M wZ tKv tɔv Dchʃ K wJ KZʃ c0Z` ʃʃfv tɛ cwi `k0 Ki tZ n tɛ | G K wJ mfv c wZ n tɛb GKRb BDwɔ m`m` Ges BDwɔ m wPe Gi m`m` m wPe n tɛb | Dc tRjv chʃʃʃi tKv tɔv K gRZʃʃK gPvix ev BDwɔqb chʃʃʃ K gʃZ tKv tɔv K gRZʃʃK gPvix w bq wZfv tɛ G K wJ m`m` n tɛb |

2.3. ivR^AvniY

2.3.1. BDwbqb cwi l`i wbr^Drm t_tK ivR^Avq

BDwbqb cwi l`i Avtqi wZbwU Drm itqtQ | G_tjv ntjv:

- (1) ivR^Avq
- (2) mi Kwi Abj vb Ges
- (3) Ab`vb` Drm

vbqx mi Kvi (BDwbqb cwi l`) AvBb 2009 Abjnti BDwbqb cwi l` wbgewZ 13wU Drm ev vel tq Ki, ti BU, wdm BZ`w` Avtvc l Av`vq KitZ cvti |

- 1| wbañi Z c>wZtZ AvtiwcZ Bgvi Z/fvgi ewl R gñj`i Dci Ki A_ev BDwbqb ti BU |
- 2| cvKv BgviZi mefgvU AvqZtbi cZ eM@tUi Dci wbañi Z nvti Bgvi Z cwi Kí bv Abtgv` b wd |
- 3| tckv, e`emv Ges ewEi (Kij s) Dci Ki |
- 4| wntbqv, Wtgv l bvU` cD kDx Ges Ab`vb` Avtgv`-cDgv` Ges wPEwetb` tbi Dci Ki |
- 5| BDwbqb cwi l` KZR cD E j vBtmY Ges cwi wgtUi Dci wd |
- 6| BDwbqtbi mxgvbvi gta` wbañi Z nvU-evRvi Ges tchi NvU ntZ wd (j xR gmb) |
- 7| BDwbqtbi mxgvbvi gta` n`všwi Z Rj gntj i mi Kvi wbañi Z Ask |
- 8| BDwbqtbi mxgvbvi gta` Aew`Z cv_i gnvj , evj gntj i Avtqi mi Kvi wbañi Z Ask |
- 9| `vei mæcwE n`vši Ki eve` Avtqi Ask |
- 10| wKvn wbeÜb wd |
- 11| fvg Dbaqb Ki mspvš-Avtqi Ask |
- 12| weÁvctbi Dci Ki |
- 13| G AvBtbi th tKvtr weavtbi Aaxtb Ab` th tKvtr Ki |

2.3.2. BDwbqb cwi l`i `wqZj l KZ@`

BDwbqb cwi l`i Ab`Zg `i`ZcY@KvR nt`Q ivR^Av`vtq MwZkxj Zv Avbqb | chfB Avq Qvov BDwbqb cwi l` Rbmvavi YtK Zvt`i cZ`wkZ tmev cD vb KitZ cvte bv | Zvt` itK memgq mi Kvti i Ki`Yvi Dcti ZwiKtq `vKtZ nq | Ki Av`vq epxi Rb` vbqx Rbmvavi YtK mt½ wbtq h_vh_fite Ki wbañi Y Kiv Avek`K | lqvW©mfv Abjvtbi mgq vbqx ivR^Av`vq Ges BDwbqb cwi l`i tmev cD vb mæútK@RbMYtK AewZ KitZ nte | BDwbqb cwi l`i ivR^Av`vq Dbqtbi Rb` cZwU lqvW©chfB GKwU ivR^Av`vq KwgU Mvb Kiv thtZ cvti, hviv BDwbqb cwi l`i Ki wdm l Ab`vb` cvl bv Av`vtq mnvqZv KitZ cvti | KwgU Av`vqKZ Ki e`envi l gubUi KitZ cvti | cZ cvP eQi Ašit Kgct` GKevi tnwi s U`v` cpwbñi Y Kiv thtZ cvti | GKwU wbw` di tg U`v` wbañi Y Kiv nte Ges Rb AskMñYgj K c>wZtZ U`v` wbañi Y Kiv nte | BDwbqb cwi l` Ki wbi fctYi Rb` tjvK wbtqM Kite Ges lqvW©

chq Ki wbaŋ Y wełq Avtj vPbv mfvi AvtqvRb Kiŋe| RbMYŋK AwakZi `wqZkxj
Kivi Rb` wbaŋi Z Ki c0vbŋK DrmwNz Kiv nŋe| Ki wbaŋi ŋi ci Zv Rbmgŋŋ
c0vk Kiv nŋe Ges e`w3 chqŋi ŋKvŋbv AvwE Dŋ wcz nŋj Zv c0E mgŋŋi gŋa`
BDwbq b chqŋ w`uE KiŋZ nŋe|

h_vh_ iwk` c0vŋbi gvaŋg Ki Av`vq Kiv nŋe| c0Zw e`w3 i Ki c0vŋbi Ae`v
wbjctŋi Rb` U`v` cvm eB e`envi KiŋZ nŋe| Ki c0vbKvi xi wBKU ŋ_ŋK Ki Av`vq
Kivi mgq Av`vqKvi x U`v` cvm eBŋg `ŋŋi Kiŋeb| Ki Av`vqKvi x KZŋ Av`vqKZ
A_`e`vsK wmvŋe wbcwqZ Rgv KiŋZ nŋe Ges c0Zw` b K`vk eB nvj bvmv` KiŋZ nŋe|
Ki ŋ_ŋK c0B A_`ŋKej BDwbq b cwi l` i Abŋgv` ŋbi ci B e`q Kiv hvŋe|

wbcwqZ I `i`ZcY`Ki`vZwMYŋK BDwbq b cwi l` Zvi evŋRU mfivq m`ŋyb c0vb Kiŋeb
hvŋZ Ab`vb`MY Ki c0vb KiŋZ AbjwYZ I DrmwNz nb| ivR`^Zwŋej ŋviv MpxZ
Dbq b w`g m`uŋK`RbMYŋK AwNz Kiŋe BDwbq b cwi l` |

BDwbq b cwi l` Zvŋ i wR`^Avq ew`gj K Kvŋŋg Mŋŋi Yi Dŋ`wM ŋbŋe| e,ŋŋivcY,
mewR Pvl, bvmŋi, grm` Pvl, gjwMi Lvgi Ges gvŋKŋ wbgŋy BZ`w` BDwbq b cwi l` i
wR`^Avŋŋi Drm nŋZ cvŋi | G ai ŋbi Dŋ`wM `vbxq chqŋ Drcv` bŋK mgx` Kiŋe|

3. cwi Kí bv, evŋRU I AwWU

3.1. cwi Kí bv

`vbxq mi Kvi (BDwbq b cwi l`) AvBb 2009 Abjvŋŋi BDwbq b cwi l`ŋK Rb
AskMŋYgj K cŋqŋq cAewl ŋ I Ab`vb` weŋfbŋŋgqŋŋ` i cwi Kí bv c0q b KiŋZ nŋe|
I qvW`mfvmgŋ KZŋ cwi Kí bv mfvi AvtqvRb Kŋi `vbxq Rbmvavi Y mgm`vmgŋ wPwYZ
I AMŋaKvi wbjcY Kiŋe Ges cwi Kí bvŋ tm_ŋj v Aŋŋŋ nŋe|

BDwbq b cwi l` i cwi Kí bvi m`ŋe` evŋRU Ges c0R± ev`evqŋbi mgqmxgv Dŋj E
_vKŋe| cwi Kí bv Aek`B BDwbq b cwi l` i wR`^ivR`^Avq Ges Ab`vb` m`ŋe` mKj
Avŋŋi Dŋŋmi Dci wŋE Kŋi cYxZ nŋe|

3.1.1. cwi Kí bvi bwxZmgŋ

mvaviYZ RvZxq Dbq b cwi Kí bv Ges RbMŋYi c0qvŋŋbi AMŋaKvi weŋePbv Kŋi
BDwbq b cwi l` w`g ev`evq b Kŋi Ges tmev c0vb Kŋi | BDwbq b cwi l` i cwi Kí bv
RvZxq cwi Kí bvi Ask| `vbxq PwN`v, RbMŋYi c0qvŋŋbi AMŋaKvi, m`uŋ` i
c0c`Zv, Kwii Mwi `ŋŋZv, `wii`a nwm Ges Ab`vb` AvbŋwŋK weŋePbvi wŋEŋZ w`g
wbeŋPb I tmev wbw0Z KiŋZ nŋe| `vbxq mi Kvi (BDwbq b cwi l`) AvBb 2009-G
ewYZ Kvŋŋej Ges wbgewYZ c`xwZ Abjvŋŋi BDwbq b cwi l` tmev c0vb Kiŋe Ges w`g
MŋY Kiŋe:

(K) w`g MŋY I ev`evqŋbi mgq mgM0 BDwbq bŋK GKwU BDwbU wŋŋŋe weŋePbv
KiŋZ nŋe|

- (L) w-g MhY Ges ev-evq̄tbi t̄q̄t̄ I qvW^oA_{ev} mgM^oBDwbq̄tbi msL^ovMwi o gvb̄t̄ I Kj^ovY I tmevi wel qvU AM^oMaKvi w^otZ n̄te|
- (M) wbePZ w-g I tmevmgn^o `Z mdj Ki te Ges cjx-Gj vKvq^o `wi^o `w̄et̄gvP̄t̄b mnvqK n̄te|
- (N) w-g I tmevgj K Kg^omP Mh̄t̄Yi mgq Kg^oms^o-vb m̄w̄o w̄et̄kl K̄t̄i bvi x Ges `y^o RvM^o-RbM̄t̄Yi Kg^oms^o-v̄t̄bi wel qvU w̄et̄eP̄v Ki t̄Z n̄te|
- (O) w-g ev-evq̄tbi t̄q̄t̄ GKvU BDwbq̄b cwi l^o Dc̄t̄Rj v cwi l^o Ges t̄Rj v cwi l^o i Ask^ov̄i n̄tZ cv̄t̄i |
- (P) GKwaK BDwbq̄b cwi l^o Zv̄t̄^o i m̄vavi Y^o -t̄^oth^oŠ^o-f̄v̄te w-g ev-evq̄b Ki t̄Z cv̄t̄e |
- (Q) w-g wbeP̄b Ges m̄e^oú^o msM^oni Rb^o BDwbq̄b cwi l^o I qvW^oGes BDwbq̄b ch̄q̄q Rb AskM^oh̄t̄Yi gva^ot̄g BDwbq̄b w̄f̄v̄ĒK D̄b̄q̄b Kg^oe^owi Kí b̄v^o `Zwi Ki te|
- (R) BDwbq̄b cwi l^o cwi t̄ek msi q̄Y, Rb^o-t̄^o i c̄Ź I mvgw^oRK w̄b̄i v̄c̄Ēv I m̄j q̄vi c̄Ź w̄et̄kl^o i "Z̄t̄i v̄c̄ Ki te| w-g Mh̄Y I ev-evq̄tbi mgq Ggb t̄Kv̄t̄v Kvh̄q̄g Mh̄Y Ki te b̄v h̄vi d̄t̄j cwi t̄ek w̄ec̄b̄e^oq̄| gvb̄t̄K Zvi B^oQvi w̄e^ot̄x^o ev-P̄iZ n̄tZ nq, gvb̄t̄i R^ow̄eKvi c^o-i^ox^o nq A_{ev} Ab^o t̄Kv̄t̄v t̄b̄w̄ZevPK mvgw^oRK c̄f̄ve c̄t̄o|

w̄w̄f̄b̄eDrm t̄^oĲK c̄Ź Ges w̄bR^o-^Avq t̄^oĲK BDwbq̄b cwi l^o th w-g ev-evq̄b Ki te Zv w̄b̄eP̄b Ki te BDwbq̄b cwi l^o i c̄Āewil^o R̄ cwi Kí b̄v A_{ev} Ab^ov̄b^o t̄gq^ow^o cwi Kí b̄v t̄^oĲK hv Mh̄Y Kiv n̄t̄q̄t̄Q Rb AskM^oh̄t̄Yi w̄f̄v̄Ēt̄Z|

v̄bxq mi Kvi (BDwbq̄b cwi l^o) AvBb 2009- G th Kvh̄q̄ej I^o `wqZi BDwbq̄b cwi l^o ĲK c̄Ź v̄b Kiv n̄t̄q̄t̄Q Zv ev-evq̄t̄bi Rb^o Gj w̄RGm̄ic:2- Gi t̄ḡw̄ij K t̄^ovK eiv̄l^o A_{ev} `q̄Zv w̄f̄v̄ĒK t̄^ovK eiv̄l^o e^oenvi Kiv hv̄te|

w̄b̄geiv̄Y^o t̄q̄t̄Ĳ Gj w̄RGm̄ic:2-Gi A_{ev} e^oq̄ Kiv hv̄te b̄v

- K) BDwbq̄b cwi l^o t̄Pqvi ḡv̄b, m^om^o w̄Ksev Kg^o i teZb, gR̄yi w̄Ksev Ab^o t̄Kv̄t̄v m̄j̄eav t̄^o I qv|
- L) q̄j^o a^oA_{ev} q̄bmn t̄Kv̄t̄v A_{ev} w̄ZK tmev thLv̄t̄b q̄j^o a^oe^oenvi D̄t̄^o v̄t̄M FY mieivn Kiv nq|
- M) Ggb t̄Kv̄t̄v c̄Kí Mh̄Y Kiv hv̄te b̄v, h̄vi t̄b̄w̄ZevPK cwi t̄ekMZ/mvgw^oRK c̄f̄ve Av̄t̄Q|
- N) aḡq̄ c̄ŹŹv̄t̄bi m̄v̄t̄^o msh̄y^o t̄Kv̄t̄v c̄Kí w̄ew̄w̄R/w̄c̄w̄w̄R Zn̄w̄ej t̄^oĲK A_{ev} q̄b Kiv hv̄te b̄v|
- O) BDwbq̄b cwi l^o i AeKv̄w̄t̄gv, t̄^o I qj^o w̄bḡw̄, Av̄m̄evec̄Ī I h̄š̄c̄w̄Z m̄s̄m̄v̄š̄-t̄Kv̄t̄v c̄Kí w̄ew̄w̄R/w̄c̄w̄w̄R Zn̄w̄ej t̄^oĲK A_{ev} q̄b Kiv hv̄te b̄v|

3.1.2. cwi Kí b̄v Kvgw̄U
 c̄ŹZw̄U BDwbq̄t̄b cwi Kí b̄v Kvgw̄U^o v̄Kt̄e| BDwbq̄b cwi l^o i GKRB m^om^o Gi m̄f̄v̄c̄w̄Z ev Av̄n̄ȳvqK n̄teb| Ab^ov̄b^o m^om^o, BD̄ic m̄w̄Pe, BDwbq̄b cwi l^o n^o-v̄š̄wi Z mi Kwi

Ḃṯi i cāvbMY cwi Kí bv KugúJi m`m` nteb| Dbq̄b cwi Kí bv Ḃwi ṯZ cwi`kPev`Ḃ
ṯKvṯbv e`w³ṯK G KugúJi m`m` wntmte AŠf^Ḃ Kiv ṯṯZ cwi | BDwbqṯbi cwi Kí bv
cṲZ Kivi mgq cwi Kí bv KugúJi wbgewY^Z c×uZ AbyniY Kiṯe :

- (1) I qvW^ḂKugúJi gvaṯg ṯvbq RbmvariṯYi ṯhvMṯṯvM I gZweibgq Kiṯe|
- (2) w`g wPuyZ Kiṯe Ges Gi Kwí Mwi w`K_ṯṯj v weṯkH^Y Kiṯe|
- (3) cwi Kí bv ṯKŠkṯji QK cṲZ Kiṯe| wKfvṯe cwi Kí bv ev`e ifc jvf Kiṯe,
weirfbreKugúJi fiugKv wK nte, Abṯgwr Z cṲuqv, tiKW^Ḃmsi^ḂḂY BZ`w` Gi
AŠf^Ḃ nte|
- (4) w`gmgṯni Zwj Kv cṲZ Kiṯe Ges G_ṯṯj vi gṯa` AMṲaKvi wby^Ḃ Kiṯe|

3.1.3. gZweibgq I AMṲaKvi wbi fCY

ṯvbq mi Kvi (BDwbq cwi I`) AvBb 2009 Abynṯi BDwbq cwi Iṯ` i` wqZj mṯfṯvṯe
cvj ṯbi Rb` GUV cṲ`wkZ ṯh BDwbq cwi I` cĀewl^Ḃ Ḃ cwi Kí bv, ewl^Ḃ Ḃ cwi Kí bv I
Ab`vb` ṯgqv` cwi Kí bv cṲq̄b Kiṯe| BDwbq chṲq̄ cwi Kí bv wbgewY^Z bwnZgij vi
Avṯj vṯK cṲxZ nI qv evĀbxq|

- (K) I qvW^Ḃmfvi gvaṯg Db^Ḃ Rbmfv Kṯi e`vcKfvṯe RbMṯYi AskMṲṯYi gvaṯg
Rb AskMṲYg^jK cṲuqv^Ḃ ṯvbq RbMṯYi Pwn`v wbi fCY I AMṲaKvi wby^Ḃ
Kiv|
- (L) mgqZ BDwbq chṲq̄ Dbq̄b cwi Kí bv I evṯRU cṲq̄b Kiv|
- (M) epEi RbmvariṯYi Rb` BDwbq cwi Iṯ` i` cwi Kí bv I evṯRU Db^Ḃ Kiv|
Gj wRGmnc:2- Gi ṯḂṯṯ BDwbq cwi I` ṯK hLb tde^Ḃqwi/gvP^Ḃgvṯm evrmwi K
ṯgŠij K ṯ_vK eiv^Ḃ Rwbṯq ṯ` I qv nq BDwbq cwi I` ṯPqvi g`vbṯK wbgewY^Z Kiv
KiṯZ nte :

- 1. GKúJi Db^Ḃ mfvi AvnYvb KiṯZ nte ṯhLvṯb mKj BDw^c m`m` Ges ṯvbq
RbmvariY Ask wṯṯeb| ṯmLvṯb evṯRU eivṯi i` cwi gvY Rwbṯq ṯ` I qv nte Ges
Zṯ` i` wR wR Awat^Ḃṯṯ Rb AskMṲY cṲuqv^Ḃ Dbq̄b cwi Kí bvi AMṲaKvi
wPuyZ Kivi AvnYvb Rvbṯṯeb|
- 2. BDwbq cwi Iṯ` i` ṯbwlK tevṯW^ḂṯgŠij K ṯ_vK eivṯi i` cwi gvY RbmḂṯ^Ḃ Uwbṯq
w`ṯeb Ges G Z` e`vcK cṲvi Kiṯeb|

I qvW^Ḃmfvi mfvi I qvW^Ḃ Dbq̄b KvṯḂg Ges BDwbq cwi Iṯ` i` weMZ eQṯi i` ewl^Ḃ
cṲZṯe`b chṲj vPbv Kivi weavb iṯqṯQ| GṯZ weMZ mfvi wv×vŠ-ev`evq̄b AMṲwZ
chṲj vPbv Kiv nte| msuk^Ḃ- I qvW^Ḃ BDw^c m`m` Ges BDwbq cwi Iṯ` i` ṯPqvi g`vb
weMZ mfvi wv×vŠ-ev`evq̄b bv nI qvi weIṯq`vqx_vKṯeb|

cṲZ`K I qvW^Ḃm`m` msuk^Ḃ-msi^ḂḂY Avmṯbi gwj v m`m`ṯK wṯq GKṯṯ I qvW^Ḃmfvi
mfvi AvnYvb Kiṯeb Ges Gj wRGmnc:2-Gi eiv^Ḃ Ges Ab`vb` eiv^Ḃ m^ḂúṯK^Ḃ
RbmvariYṯK AewN^Ḃ Kiṯeb| Zivov cwi Kí bvi cṲuqv Ges eiv^Ḃ KZ A`eṯqi
ṯhvM`Zv I AṯhvM`Zvi msi^ḂḂY ev`L`v cṲvb KiṯZ nte|

Gj wRGmxc:2-Gi Avl Zvq MwZ I qvW©KugwU G mfvi c0qvRbxq mrvqZv c0vb Ki te | G mfvi DfI k" n t"Q I qvW©chfqi Dbqb cwi Kí bv c0Z Ges AM0aKvi wbi fcy, BDwbq b cwi l t` Dc`vc b Kiv, hv tZ Zv BDwbq b Dbqb cwi Kí bvq `vb cvq I qvW© mfvi t b wJk c t e B Rwi Ki tZ n t e Ges `vbxq Rbm vavi Y t K mfvq Dcw`Z `vKvi Rb` Ab t i va Ki te hv tZ Zviv Zv t` i BDwbq t bi c0 w e Z Dbqb Pw n `v w Pw y Z Ki tZ cv t i | BDwbq b cwi l ` c A e w l R cwi Kí bv c0 y q b Ki te | c0 g e Q i Ges cie Z P e Q i m g f n th m K j w`g ev`emqZ n t e Zv c A e w l R cwi Kí bvq D t j l ` v K t e | w0Z x q erm t i c A e w l R cwi Kí bv m s t k v a b Kiv n t e Ges ewl R cwi Kí bv c0 x Z n t e R b M t Y i Pw n `v I AM0aKvi w e t e P b v K t i |

I qvW©mfvq I qvW©KugwU m e f Z K t P o v P j v t e hv tZ I qv t W P A w a K m s L`K g v b t i i g Z v g Z M h Y Kiv m a e n q Ges mfvq Dcw`w Z i cwi g v Y I qv t W P t g v U t f v U v i 5 k Z v s t k i K g b v n q | I qv t W P m s i w f j Z A v m t b i w b e f P Z g w j v m`m` H I qv t W P b v i x m g v t R i g Z v g Z Dc`vc b Kivi w e l q u U w b w 0 Z Ki t e b | I qvW©mfvi g j mfv Ab p v t b i c t e f K e j g w j v t` i R b` G K w U c`K mfv Av n Y v b Kiv t h t Z cv t i | Gi ci g w j v t` i c0 w e Ges AM0aKvi m g n g w j v m`m` I qvW©mfvi mfvq Dc`vc b Ki t e b | I qvW©mfvi c0 Z w U mfvq w`g c0 v e m g n, w` t g i AM0aKvi m g n Ges ev`evq b t h w M` w`g w P w y Z Kiv n t e | Ask M h Y g j K cwi Kí bv c0 u q v q w b g e w Y Z c h f q t j v Ab m i Y Ki t Z n t e:

cwi Kí bv □ chf q - 1

I qvW©mfvi c0 w Z g j K K v R

- Ask M h Y g j K cwi Kí bvi c0 g c` t f j c n t"Q BDwbq b cwi l t` i mfvq m g q m P w b a f Y m n I qvW©mfvi mfv Ab p v t b i w m x v s`M h Y Kiv |
- I qvW©mfvi cwi Kí bv A w a t e k b A v t q v R t b i R b` I qvW©chf q K u g w U M V b Kiv |

cwi Kí bv □ chf q - 2

c0 w g K Z` m s M 0 h

- G j v Kvi Ae`v Ges A w a e v m x t` i R x e b h v i v i D c i w f w E K t i t Q v U t Q v U ` j 0 v i v D b q b P w n `v w b i f c Y Ki t Z n t e |
- m v g w R K g v b w P I, c0 Z` f j A e t j v K b, m a u t` i t k Y x K i Y Ges A v t j v P b v A w a t e k b B Z` w D c v` v b e` e n v i K t i G j v Kvi P w n `v w b i f c Y Kiv |
- Ask M h Y g j K cwi Kí bvi D c i w f w E K t i `v b x q P w n `v i AM0aKvi w b i f c Y Kivi R b` c0 w g K Z` m s M 0 h i d i t g U e` e n v i Ki t Z n t e |
- t Q v U t Q v U ` t j i m s M p x Z AM0aKvi w e l q t j v i Z w j K v Kivi R b` G K w U d i t g U e` e n v i Ki t Z n t e | A Z t c i m e t j v G K w i Z K t i I qvW©mfvi mfvq Dc`vc b Ki t Z n t e |
- cwi Kí bv c0 u q v K i t Y i R b` G K w U W U v t e B R D b q b Kiv t h t Z cv t i |

- BZ'w' tZ cKvk Ki tZ nte | cwi K' bvi GKU mdu Kuc BDwbq cwi l' i K' uDUv' i msi qY Ki tZ nte Ges mKtj i Rb' Db' i vL tZ nte |
- o cAewl R cwi K' bvi Ges ewl R cwi K' bvi Ab' g' t' bi vel t' q RbMYt' K AewZ Kivi Rb' l qW' K' u' l qW' c' h' t' q m' f' vi Av' t' q' Rb Ki t' e |
 - o cwi K' bvi GKU Kuc Dc' t' Rj v cwi l' t' t' c' Y Ki tZ nte hv' tZ Dc' t' Rj vi cAewl R cwi K' bvi M' h' t' Yi mgq Zv m' n' v' q' K n' tZ c' v' t' i |

3.2. ev' t' RU (v' b' x' q mi Kvi (BDuc) AvBb 2009-Gi aviv 57)

- (1) c' Z' K BDwbq cwi l' c' Z A_ermi ' i' n' l' q' vi Ab' b 60 (l' v' u) w' b c' t' e' w' b' a' n' i' Z c' x' u' Z' t' Z l' q' W' m' f' v' n' t' Z c' B' A' M' u' a' K' v' i' i' w' f' u' E' t' Z D' s' A_erm' t' i' m' a' t' e' Av' q l' e' q' w' e' e' i' Y' x' m' a' n' j' Z' G' K' u' l' ev' t' RU c' v' q' b' Ki t' e |
- (2) BDwbq cwi l' m' s' i' k' e' v' q' x' K' u' g' u' Ges v' b' x' q R' b' m' v' a' v' i' t' Yi D' c' w' u' Z' t' Z c' K' v' k' ev' t' RU A' w' a' t' e' k' b' A' b' p' v' b' K' t' i' ev' t' RU t' c' k' Ki t' e' Ges c' w' i' l' t' i' c' i' e' Z' m' f' v' q' c' v' m' K' Z' ev' t' R' t' U' i' A' b' y' j' w' c' D' c' t' R' j' v' w' b' e' f' n' x' A' w' d' m' v' i' i' i' w' b' K' U' t' c' Y' Ki t' e |
- (3) t' K' v' t' b' v' BDwbq cwi l' A_ermi ' i' n' l' q' vi c' t' e' D' s' ev' t' RU c' v' q' b' Ki t' Z' e' n' t' j' m' s' i' k' e' D' c' t' R' j' v' w' b' e' f' n' x' A' w' d' m' v' i' m' a' t' e' Av' q' e' t' q' i' G' K' u' l' w' e' e' i' Y' x' c' t' Z' l' c' l' z' q' b' Ki t' e' Ges G' i' f' c' c' l' z' q' b' K' Z' w' e' e' i' Y' x' BDwbq cwi l' t' i' A' b' t' g' w' Z' ev' t' RU e' t' j' M' Y' n' t' e |
- (4) Dc' t' Rj v' w' b' e' f' n' x' A' w' d' m' v' i' ev' t' R' t' U' i' A' b' y' j' w' c' c' u' b' i' 30 (w' l' k) w' t' b' i' g' t' a' ev' t' R' t' U' i' t' K' v' t' b' v' t' u' v' K' t' j' Z' v' m' s' t' k' v' a' b' K' t' i' c' w' i' l' t' K' A' e' w' n' Z' Ki t' e' b' Ges A' b' j' f' c' v' t' e' c' v' x' Z' ev' t' RU BDwbq cwi l' t' i' ev' t' RU e' t' j' M' Y' n' t' e |
- (5) t' K' v' t' b' v' A_ermi t' k' l' n' l' q' vi c' t' e' t' h' t' K' v' t' b' v' mgq D' s' e' r' m' t' i' i' R' b' c' o' q' v' R' b' n' t' j' BDwbq cwi l' m' s' t' k' w' a' Z' ev' t' RU c' v' q' b' K' t' i' ev' t' R' t' U' i' A' b' y' j' w' c' D' c' t' R' j' v' w' b' e' f' n' x' A' w' d' m' v' i' i' w' b' K' U' t' c' Y' Ki t' e' Ges D' s' m' s' t' k' w' a' Z' ev' t' R' t' U' i' t' q' t' i' l' (4)- Gi w' e' a' v' b' v' e' i' j' c' h' v' R' n' t' e |
- (6) BDwbq cwi l' w' i' q' Z' i' f' v' i' M' h' t' Yi' c' i' A_erm' t' i' A' e' i' k' o' m' g' t' q' i' R' b' ev' t' RU c' v' q' b' Ki t' Z' c' v' i' t' e' Ges D' s' ev' t' R' t' U' i' t' q' t' i' l' G' w' e' a' v' b' v' e' i' j' c' h' v' R' n' t' e |

3.2.1. ev' t' RU c' v' q' b

A_@Qi ' i' i' i' Kg' c' t' q' l' 60 w' b' c' t' e' BDwbq cwi l' GKU m' y' b' w' t' d' i' t' g' t' m' e' Q' t' i' m' a' t' e' Av' q l' e' t' q' i' G' K' u' l' w' e' e' i' Y' x' c' t' Z' Ki t' e | l' q' W' m' f' v' t' t' K' A' M' u' a' K' v' i' w' b' i' f' c' Y' K' t' i' t' c' o' i' Z' w' t' g' i' Z' w' i' j' K' v' i' w' f' u' E' t' Z' m' a' t' e' e' q' w' e' e' i' Y' x' c' t' Z' n' t' e | G' U' v' n' t' e' BDwbq cwi l' t' i' ev' t' RU |

BDwbq cwi l' GKU Db' ev' t' RU A' w' a' t' e' k' b' A' v' t' q' v' R' b' K' t' i' t' m' L' v' t' b' v' q' x' K' u' g' u' i' m' m' Ges R' b' m' v' a' v' i' t' Yi D' c' w' u' Z' w' b' w' o' Z' K' t' i' ev' t' RU D' c' v' c' b' Ki t' e | BDwbq cwi l' t' i' m' f' v' q' ev' t' RU A' b' t' g' w' t' b' i' c' i' Z' v' D' c' t' R' j' v' w' b' e' f' n' x' A' w' d' m' v' i' e' i' v' e' t' i' t' c' Y' Ki t' e |

h' w' t' K' v' t' b' v' BDwbq cwi l' A_@Qi ' i' i' i' c' t' e' Z' v' i' ewl R' ev' t' RU c' v' q' b' e' n' h' q' Z' v' n' t' j' m' s' i' k' e' D' c' t' R' j' v' w' b' e' f' n' x' A' w' d' m' v' i' BDwbq cwi l' t' i' R' b' G' e' Q' t' i' m' a' t' e' Av' q' e' t' q' i'

GKwU weeiYx cŕZ Kiŕeb, cŕZ qb Kiŕeb | GUv H BDwbqŕbi Abŕgwm Z evŕRU etj MY nŕe |

BDwbqŕb cwil` t_ŕK evŕRU cŕBi ci DcŕRj v wbeŕx Awdmvi 30 w`ŕbi gŕa` ŕKvŕbv AmsMwZ _vKŕj Zv mŕŕkvab Kŕi BDwbqŕb cwil` ŕdi Z cwŕŕeb | BDwbqŕb cwil` Zvi evŕRŕUi mŕŕkvab mŕúŕK AewNZ nI qvi ci Zv Abŕgwm Z evŕRU wŕŕmŕe MŕY Kiŕe | A_eQi ŕkl nI qvi cŕeŕh ŕKvŕbv mgŕq evŕRŕU ŕKvŕbv cwieZŕ Ri`wi etj cŕZxqgvb nŕj Zv mŕŕkvab Kŕi BDwbqŕb cwil`, DcŕRj v wbeŕx Awdmvŕi i wBKU ŕcŕY Kiŕe |

3.2.2. Dbŕŕ evŕRU mfvi

cŕZ`K BDwbqŕb cwil` cŕZ eQi ig gvŕmi ŕkl w`ŕK GKwU Dbŕŕ evŕRU mfvi AvŕqvRb Kiŕe | IqWŕchŕŕq Gwŕŕ gvŕmi gŕa` IqWŕmfvq RbAskMŕŕYi wŕwŕŕZ cwil` bŕ I evŕRU cŕZ mŕúbrKiŕZ nŕe | BDwbqŕb cwil` i Dbŕŕ evŕRU mfvi cŕeŕ wŕŕgŕwŕŕ c`ŕŕc MŕY KiŕZ nŕe :

- IqWŕmfv t_ŕK cŕB cwil` bŕ wetePbvq ŕiŕL GKwU Lmov evŕRU cŕŕqb KiŕZ nŕe |
- gvBwKs, ŕXvj, Avgŕŕcŕ, wj dŕj U, ŕbwUK ŕeWŕBZ`w` i gva`ŕg Dbŕŕ evŕRU mfvi e`vcK cŕvi KiŕZ nŕe |
- BDwbqŕb cwil` i Awdm cŕŕY, ŕg cŕŕY A_ev ŕLj vi gvŕvi gŕZv Dbŕŕ RvqMvq Dbŕŕ evŕRU mfvi AvŕqvRb KiŕZ nŕe |
- AskMŕYKviŕŕ` i Rb` emvi chŕŕ e`v ivLŕZ nŕe |
- ceŕZŕ evŕRŕUi gŕa` evŕRU mfvi LiŕPi ms`vb ivLŕZ nŕe | BDwbqŕb cwil` ŕK AskMŕYKviŕŕ` i Rb` Lveŕŕi i eŕ`ve`-ivLŕZ nŕe hvŕZ evŕRU mŕúŕK`we`wi Z Ges cYŕŕ Avŕj vPbv mŕe nq |
- `vbxq msev`cŕ I Ab`vb` cŕvi gva`gŕK evŕRU Awŕekŕb Avgŕŕ RvŕŕZ nŕe |
- Abŕgwm Z evŕRU cŕnj v Rŕbi gŕa` DcŕRj v wbeŕx Awdmvŕi i wBKU ŕcŕY KiŕZ nŕe |

evŕRU mfvi KgŕŕP

- evŕRU mfviq BDwbqŕb cwil` i ŕPqvi g`vb mfvcwZZi Kiŕeb |
- cŕvb AwZw` Ges weŕkl AwZw`MY mfviq Avmb MŕY Kiŕeb |
- ŕKvi Avb, MxZv, evBŕej cŕwZ agŕŕ Mŕŕ t_ŕK cv Kiv nŕe |
- ŕPqvi g`vb `MZ fvIY ŕ`teb |
- AskMŕYKviŕŕ` i gŕa` evŕRŕUi Lmov Kwc weZiY Kiv nŕe |
- BDwbqŕb cwil` i mwPe MZ eQŕi i cŕKZ Avq-e`q, eZŕvb eQŕi i evŕRU ev`evqb AMŕwZ Ges AvMvgx eQŕi i cŕweZ Lmov evŕRU Dc`vcb Kiŕeb |
- AskMŕYKviŕŕ` i evŕRŕUi Dci Avŕj vPbvq AskMŕŕYi Rb` Avnŕvb Rvŕŕbv nŕe | Zvi vweMZ eQŕi i evŕRU ev`evqŕbi Dci I cŕkŕKiŕZ cvŕi |
- Avŕj vPbv-chŕŕj vPbvi wŕwŕŕZ cŕweZ evŕRŕU cŕŕvRbxq cwieZŕ, cwieaŕ, mŕŕkvab, mŕŕhvRb, weŕqvRb BZ`w` Kiv nŕe |
- BDwbqŕb cwil` ŕPqvi g`vb evŕRU Awŕekŕb GKwU cŕkŕŕi cŕeŕ AvŕqvRb Kiŕeb |

- AskMhYKvi x` i tK evfRU Awatekb m`utK`Zt` i AbfWZ cKvtki Rb` AvnYvb Rvbtbv nte|
- AwZw_e` e`e` ivLte|
- tgavex QvI, D`ebx K.I.K, mehaK e`t`ivcYKvi, mehaK Ki`vZv, wbcqgZ Ki`vZtK c`Yv` bv A_ev cj`vi c`vb|
- mvs`wZK Abpvtbi AvtqvRb Kiv hvq|
- mfvwZ KZ` ab`ev` Avcb|

3.2.3. evfRU cYqtb „i“ZcY`eteP” wel qmgn

- evfRU Aek`B mi Kvi wba`i Z ditg`Zwi Ki tZ nte|
- ce`ZPeQi mgtni Avq I e`tqi aviv wetePbvq ti tL evfRU`Zwi Kiv nte|
- evfRU Ggbfvte Ki tZ nte hvz A_`eQi tk tI wKozA_`DØZ`vtK|
- evfRU`Zwi Kivi mgq wetePbvq ivL tZ nte thb, bvi xi` gZvqb wki t` i I hpeK t` i Kj`vY, cØZeUx I e`M t`Yi Rb` h`o eivI` vtK|
- w`g wfvEK ev tm`i wfvEK evfRU cØ`Z Kiv nte|
- cØ`wKZ Avtqi Awak e`q evfR tU cwi`wKZ nte bv| hw` tKvtbv Kvi tY Avtqi t` tK e`q teik cwi`wKZ nq, Zvntj Zvi Kvi Y ej tZ nte| AZ:ci Avq ep`xi D t` wM wbtZ nte|
- cØZ 4 gym Aš`i GKevi evfRU ch`j vPbv Ki tZ nte|

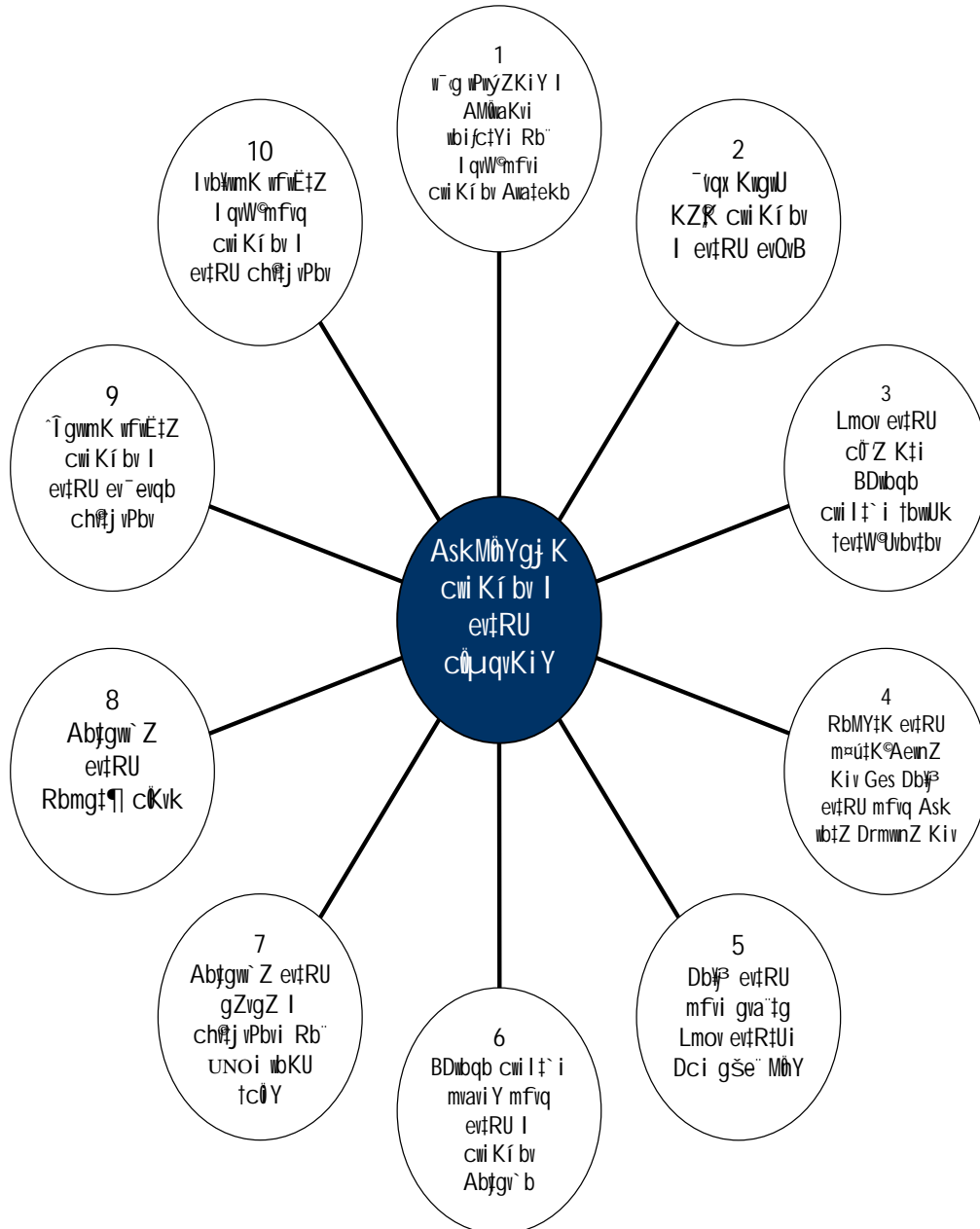
3.2.4. BDwqb cwi I` KZ` evfRU Abtgv` b

BDwqb cwi I` i evfRU Abtgv` tbi mfv nte GKw wtkl „i“ZcY`mfv| BDwqb cwi I` tPqvi g`vb wtkl mfv wntmte G mfv AvnYvb Ki t`eb| BDwqb cwi I` m` m` t` i wku mfv i t`wU tki mvt` Lmov evfRU t`Y Kiv nte| mfvq Lmov evfR tUi Dci w`wii Z Avtj vPbv Kiv nte Ges msL`vMii t`oi t`fvU evfRU Abtgv` b nte| Abtgvw` Z evfRU Dc tRj v wbe`x Awdmv t` i wku ch`j vPbv I gZvgtZi Rb` t`Y Kiv nte| Dc tRj v wbe`x Awdmvi evfR tUi Abj`w c v l qvi 30 (w` k) w` tbi g`ta` evfR tU tKvtbv I` wU` vK t`j Zv mstkrab K t`i cwi I` tK AeinZ Ki te hv BDwqb cwi I` i evfRU etj MY` nte| tKvtbv BDwqb cwi I` A_`eQi` i i` nevi c`te`evfRU cYqb Ki tZ e`_`ntj msik`-Dc tRj v wbe`x Awdmvi m`te` Avq-e`tqi GKw weei Yx cØ`Z I cØ`qb Ki te cØ`qbKZ weei Yx BDwqb cwi I` i Abtgvw` Z evfRU etj MY` nte| Abtgvw` Z evfRU BDwqb cwi I` i t`wUk teW` I qv`W` „i“ZcY``v`b Uwi t`q t` I qv nte|

3.2.5. evfRU ev`evqb I gubUwi s

wbtPi GKw wP t` cwi K i bv I evfRU cØ`Z, ev`evqb I gubUwi s cØ`q v t` Lv t`bv ntqtQ| evfR tUi mdj ev`evqb wbf` K t`i evfRU ev`evqb gubUwi s-Gi Dci| cØZ Oq gym Aš`i Kgct` GKevi evfRU ev`evqb ch`j vPbv Ki tZ nte I qv`mfvi gva`tg| I qv`w` mfvq evfRU ev`evq tbi AMwZ ch`j vPbv Ki tZ nte| cØqvRb ntj Abtgvw` Z evfRU c`wetePbv Kiv nte| GQvov A_` AwWU wel qK` v`qx KigwU` t` gymK wfvE tZ BDwqb ch`q mfvq evfRU ev`evqb m`utK`Avtj vPbv Ki te|

WPI



3.2.6. I qvW[®]mfvq Pwn`wfv[®]EK w`dgi Zwj Kv ^Zwi I AM[®]naKvi KiY wbtg[®] c^xwZ AbmiYceR BDwbq cwi l`mgfni eiv[®]KZ A[®]e[®]envi Kti w`gmg ev[®]evq[®]bi c`t[®]lc wbtZ nte:

(K) t[®]vK eiv[®] wba[®]Y:

- ❖ tgšwj K t[®]vK eiv[®] eve` 2 wk^w-GKmv[®] eiv[®]KZ G At[®]P AšZ 30% A[®]gunj v[®] i šv[®]v AM[®]naKvi c[®]B w`g ev[®]evq[®]bi Rb[®] e`q Ki[®]tZ nte;
- ❖ tgšwj K t[®]vK eiv[®] (BBG) I `ŋZv wfv[®]EK eiv[®] (PBG)-Gi mte[®]P 10% A[®]mŋgZv ep^x ms[®]pvš-Kv[®]R c[®]vbZ w`g ^Zwi i Rb[®] c[®]q[®]vRbxq mrvqZv, mj ŋ[®]v e`e[®]vmg[®], w[®]mvei ŋ[®]Y, BDwbq ch[®]ŋqi Z[®]w[®] K^wu[®]DUv[®]i G^wU[®] BZ[®]w[®] Kv[®]R e`e[®]üZ nte| G[®]Q[®]ov gunj v Db[®]q[®] t[®]dv[®]vg[®]tK mrvqZv c[®]vb, c[®]k[®]ŋ[®]Y, cvi[®] ū[®]vi K wk[®]Lb Ges Ab[®]v[®] w[®]bi[®] š[®] ŋ[®]Zv ep^x mrvqZvq e`q Kiv hv[®]te| 10% A[®]D[®]tj w[®]Z t[®]ŋ[®]t[®] e`q bv ntj w`g ev[®]evq[®]bi e`q Kiv hv[®]te|

(L) I qvW[®]mfvq Pwn`wfv[®]EK w`dgi Zwj Kv I AM[®]naKvi KiY:

- ❖ I qv[®]W[®]P 5% t[®]fvU[®]t[®]i (bvix, cj`l, c[®]övr[®], c[®]ZeÜx) Dcw[®]wZ[®]tZ I qvW[®]mfv Ki[®]tZ nte| mfvq mg[®]M[®]l qv[®]W[®]P Rbm[®]v[®]vi t[®]Yi mte[®]P AskM[®]šY w[®]bi[®]š Ki[®]tZ nte|
- ❖ ms[®]k[®]é-I qvW[®]g[®]v[®]i G mfvq mfv[®]cwZ[®]Z[®]i Ki[®]t[®]eb|
- ❖ mfv Av[®]t[®]qvR[®]t[®]bi c[®]te[®]m[®]fvi Zwi L t[®]Nv[®]I Yv Ki[®]tZ nte|
- ❖ bvi[®] t[®] i gZ[®]vgZ[®]m[®]g[®] I qvW[®]mfvq Rv[®]bt[®]bvi D[®]t[®] v[®]M wbtZ nte
- ❖ BDwbq cwi l` t[®]Pqv[®]g[®]v[®]t[®]K c[®]vb AwZ[®]w[®] w[®]t[®]mt[®]e Avgš[®]Y Kiv t[®]tZ cv[®]t[®]|
- ❖ AskM[®]šYgj K cwi K[®]i bvi G av[®]t[®]c I qvW[®]mfv[®]i gva[®] t[®]g Pwn`wfv[®]EK w`dgi Zwj Kv ^Zwi I AM[®]naKvi wba[®]Y Ki[®]tZ nte|

(M) t[®]vK eiv[®] e[®]envi Kti ev[®]evq[®]bi thvM[®] LvZ/w`dgi Zwj Kv:

<p>thvM[®]thvM</p> <ul style="list-style-type: none"> <input checked="" type="checkbox"/> M[®]t[®]gi i[®]v[®]w[®]mg[®] w[®]b[®]g[®]ŋ[®]/c[®]p[®]w[®]g[®]ŋ[®] Kiv <input checked="" type="checkbox"/> w[®]e[®]g[®]v[®] i[®]v[®]w[®]mg[®] i[®]ŋ[®]Yv[®]te[®]ŋ[®]Y Kiv <input checked="" type="checkbox"/> K[®]v[®] f[®]vU[®]w[®]g[®]ŋ[®] Kiv <input checked="" type="checkbox"/> w[®]e[®]R/d[®]U[®]l f[®]vi w[®]e[®]R w[®]b[®]g[®]ŋ[®] Kiv <input checked="" type="checkbox"/> M[®]t[®]gi i[®]v[®]e[®]v[®] mo[®]t[®]Ki Dci c[®]w[®]b w[®]b[®]v[®]k[®]b t[®]W[®]B[®]b w[®]b[®]g[®]ŋ[®] Kiv <input checked="" type="checkbox"/> hv[®]T[®]x Q[®]vD[®]w[®] 	<p>ŋ[®]ŋ[®]</p> <ul style="list-style-type: none"> <input checked="" type="checkbox"/> M[®]š[®]Y ŋ[®]ŋ[®]t[®]K[®]š[®] w[®]b[®]g[®]ŋ[®] ev[®] c[®]p[®]w[®]g[®]ŋ[®] <input checked="" type="checkbox"/> ŋ[®]ŋ[®] m[®]t[®]PZ[®]bZ[®]v, c[®]wi[®] evi c[®]wi K[®]i bv, Rb[®]ŋ[®]ŋ[®] Ges c[®]wi[®] v[®]i c[®]wi[®] Q[®]b[®]Z[®]v Aw[®]f[®]h[®]v[®] c[®]wi P[®]j[®] bv Kiv <input checked="" type="checkbox"/> ŋ[®]ŋ[®] t[®]K[®]š[®] ŋ[®] Rb[®] J[®]l[®]a mi[®] evn <input checked="" type="checkbox"/> ŋ[®]ŋ[®] t[®]K[®]š[®] ŋ[®] Dc[®]Ki[®]Y mi[®] evn <input checked="" type="checkbox"/> L[®]E[®]K[®]v[®] x[®] ŋ[®]ŋ[®] K[®]g[®]x[®] t[®]eZ[®]b
<p>c[®]w[®]b mi[®] evn</p> <ul style="list-style-type: none"> <input checked="" type="checkbox"/> w[®]e[®]MZ 10 eQ[®]t[®]i i eb[®]v[®]ŋ[®] i E[®]t[®]ai[®] v[®]bxq Rb[®]m[®]t[®]Yi Rb[®] c[®]w[®]b mi[®] ev[®]t[®]ni j[®]t[®]ŋ[®] b[®]j[®] Ke ŋ[®]v[®]cb Kiv <input checked="" type="checkbox"/> ŋ[®]ŋ[®]š[®] m[®]gvR[®]w[®]fv[®]E[®]K c[®]w[®]b mi[®] ev[®]t[®]ni Rb[®] c[®]v[®]Bc ŋ[®]v[®]cb Kiv <input checked="" type="checkbox"/> Si[®]b[®]vi c[®]w[®]b m[®]S[®]M[®]š Kiv <input checked="" type="checkbox"/> c[®]w[®]b[®]i m[®]si ŋ[®]ŋ[®]Y[®]v[®]vi w[®]b[®]g[®]ŋ[®] 	<p>w[®]k[®]ŋ[®]</p> <ul style="list-style-type: none"> <input checked="" type="checkbox"/> w[®]k[®]ŋ[®] c[®]šZ[®]ö[®]v[®]t[®]bi m[®]s[®]v[®]i, w[®]b[®]g[®]ŋ[®], c[®]p[®]w[®]g[®]ŋ[®] <input checked="" type="checkbox"/> c[®]š[®]w[®]g[®]K w[®]e[®]ŋ[®]v[®] t[®]q Av[®]m[®]ev[®]c[®]ŋ[®] mi[®] evn <input checked="" type="checkbox"/> w[®]k[®]ŋ[®] Dc[®]Ki[®]Y ŋ[®] <input checked="" type="checkbox"/> w[®]k[®]ŋ[®] m[®]t[®]PZ[®]bZ[®]v c[®]š[®]vi Yv K[®]g[®]m[®]P

<p>c0KwZK m=ú` e`e`vcbv</p> <ul style="list-style-type: none"> <input checked="" type="checkbox"/> mvgwRK ebrqb KgfM <input checked="" type="checkbox"/> fig 9lq c0Ztvtai Df`fk` AeKvWtgv vbgf <input checked="" type="checkbox"/> c0KwZK m=ú` e`e`vcbv vel qK c0k9Y 	<p>Kwl Ges evRvi</p> <ul style="list-style-type: none"> <input checked="" type="checkbox"/> Mewi`ci`i wJKv`vb tK`vbgf <input checked="" type="checkbox"/> evRvt`i tUvj Ni ev OvDwb vbgf <input checked="" type="checkbox"/> mefvavi tYi e`envh`mP mjeavi e`e`v Kiv <input checked="" type="checkbox"/> Dbz Pvlvevt`i Dci KwI Mwi c0k9Y
<p>cqtub`vkb Ges eR`e`e`vcbv</p> <ul style="list-style-type: none"> <input checked="" type="checkbox"/> cqtub`vktbi mthM mjeavi Rb` cqtclvwj vbgf <input checked="" type="checkbox"/> cqtub`vkb m=ú`K`MYmtPZbZv cPvi AvFhvb cwi Pj bv <input checked="" type="checkbox"/> evtqM`vm 	<p>gvbe m=ú` Dbqb</p> <ul style="list-style-type: none"> <input checked="" type="checkbox"/> bvi x Dbqb I bvi xt`i AvZf Kgfms`vbgj K wk9v <input checked="" type="checkbox"/> `y`f`i Rb` Avqev`x c0k9Y <input checked="" type="checkbox"/> `wi`^h`K I h`e` gwnj vt`i Rb` `9Zvev`x c0k9Y <input checked="" type="checkbox"/> `wi`^h`K I h`e` gwnj vt`i Rb` Z`_`chj`3 c0k9Y <input checked="" type="checkbox"/> BDwbqb Z`_`tKf`i Rb` mnvqZv <input checked="" type="checkbox"/> Z`_` I chj`3 i Dbqb

3.3. AwWU

3.3.1. AwWUiMtYi 9lgZv

thtnZi BDwbqb cwi l` GKwU mi KwI c0Z0vb Ges Gi A`9qb nq mi KwI LvZ t`_`tK Ges e`q mi KwI weveavb 0viv cwi Pwj Z nq tmtnZi Gi wmwve I Znvej mi KwI wbatni Z mi KwI AwWUi ev temi KwI AwWU dvg0viv AwWU ntZ nte|

`vbxq mi KwI (BDwbqb cwi l`) AvBb 2009-Gi 59 aviv gtZ AwWU m=ubrenl qvi ci AwWUi vbgewYZ vel tq Zvi AbymÜvbgj K gZvgZmn Lmov AwWU wi tcvU` wLj Ki t`eb:

- o Znvej Zmi`d ev AvZ`mvt`Zi NUbv
- o BDwbqb cwi l` i Znvej Ace`envi I 9lWZ
- o AwW`R e`e`vcbvi Anbqg
- o tKv`tbv Anbqgtgi m`1/2 c0Z`9 ev ctiv9fvte h`3 e`w`3 ev e`w`3 etM`P bvg|

AwWUi BDwbqb cwi l` i m`1/2 Avtj vPbv Kti GKwU PevS-AwWU wi tcvU`^Zwi Kti BDwbqb cwi l` t`c0Y Kti Gi GKwU KwC `vbxq mi KwI wefvM t`c0Y Ki t`eb| `vbxq mi KwI wefvMti h`M`m`Pe/Dcmi`Pe (AwWU) AwWU wi tcvU`c0c` nteb|

AwWUi KZR c0E AwWU wi tcvU`ewYZ Anbqg m=ut`K`BDwbqb cwi l` c0qvRbxq e`e`v M0Y Kti Anej t`^GKwU eWmxU Reve `vbxq mi KwI wefvMti h`M`m`Pe/Dcmi`Pe (AwWU)-Gi vbKU t`c0Y Ki t`eb|

AwWUi MY vbgewYZ vel q`_`tj v t` Lteb:

- o BDwbqb cwi l` i Znvej Ges wmwve h`_`vh`_`fvte msi 9Y Kiv nt`Q wk bv?
- o BDwbqb cwi l` `vbxq mi KwI (BDwbqb cwi l`) AvBb 2009 Abymvti Zvi A`_` tKv`tbv e`vs`K Rgv nq wkbv Ges wmwve m`wKfvte msi 9Y Kiv nq wk bv?

- o ოქვამი Kvi (BDიბობ ცუილ) AvBb 2009 Abიბიტი BDიბობ ცუილ` Zvi evtRU ციყბ, Abიგვ`b Ges LiP იბეფი Kტი უკ ბვ?
- o K`იკეK h_vh_ფიე მსი ყიყ Kiv ნყ უკ ბვ? იბიგZფიე Zv ნvj ბiMv` Kiv ნყ უკ ბვ? K`იკეB Ges e`vstKi ინიბიეი გტა` იგj AvtQ უკ ბვ?
- o mKj ციკვი Avq მიWKფიე tj Lv ნყ უკ ბვ Ges იეიფბეDrm t_ტიK ციB Avq e`vsk ინიბიე Rgv ნყ უკ ბვ?
- o K`იკეB იიWR÷ი მიWKფიე tj Lv I მსი ყიყ Kiv ნყ უკ ბვ?
- o MბU, Abj vb, Znvej, ivR`^Avq, მჰუ`, Avbj იბK `ე`w` იიWR÷ი BZ`w` მჰუიKZ WKტიU მიWKფიე ivLv იტიQ უკბ, Zv AwUi იგj ტq t` Lteb|
- o იეიამჰZ Dciტიq mKj AwMბ mgსტი I vej ცუიტიკვა Kiv იტიQ უკ ბვ?
- o th mKj იეი Ges იბიგვიე AbიიY Kivi K_v იQj tm,tjv h_vh_ფიე ციZციuj Z იტიQ უკბ?
- o მჰუ` იიWR÷ი h_vh_ფიე მსი ყიყ Kiv იტიQj უკბ Ges ბRi Kivთი მჰუტი` i Ggb RvqMvq AtვიPბიყ Kwj w`ტი იPy t` I qv იტიQ უკბ?

3.3.2. AwU AvciE იბ`უიE

BDიბობ ცუილ`i Ab`Zg „i“ZcY` ივიZi იტიQ Aw_რ e`e`vcbv მჰუიKZ mKj Z` RbმვიY I AwUi იმჰL ციკვი Kiv| BDიბობ ცუილ`ტი Aek`B Zvi mKj tj ბტი`b მჰუY`^QZvi მტი` მჰუ`b KitiZ იტი| AwU მჰუ`ტი Rb` AwUi BDიბობ ცუილ`i იბKU Aw_რ e`e`vcbv მჰუიKZ th Z` Pvტიeb tm mKj Z` w`ტი AwU KvtR BDიბობ ცუილ` იეიZტი მნივZv Kiteb| BDიბობ ცუილ` AwU მჰუიKZ იტიU` cixტიv Kiteb Ges `dvlqwi GKU Reve მიKტი იბKU tciY Kiteb| AwU იტიU` Rb` th dig e`envi Kiv ნყ Zvi ბvg eWkU Ges Gi Reve `Zwi Kტი BDიბობ ცუილ` ოქვამი Kvi იეიტიMi AwU kvLvq tciY Kiteb| eWkU Reve იტი dig

.... A_ტი i AwტიUi eWkU Reve

AwU AvciE იეიY	BDიბობ ცუილ`i Reve	DctRjv იბეფი Awdმტი i gZvgZ I`ტი

3.3.3. Gj iRGm:2-Gi Avl Zvq იბიტიK იბტიM

- (1) BDიბობ ცუილ`i Znvej ინიბიეი მიKვი თიცი იეიZ Kite, თიცი მტიq I ოქვამი Ges იბატი Z ციყვი იბიტი KტიK ZK cixტიZ I იბიტიZ იტი|
- (2) იბიტი იბიტიK `E იეი, 1860 Gi 21 ავივ გტი RბიეK (Public Servant) ეტი MY` იტი|
- (3) იბიტიK Znvej იტი mKj ინიბიე Dc`vcbi Rb` Abივი Rvბიე, ცუილ`i tPვი გ`vb, tტი gZ, tm mKj ინიბიე იბიტიKi იბKU Dc`vcb Kiteb ev Kivi e`e`v MhY Kiteb|

3.3.4. Gj wRGmnc:2-Gi Avl Zvq AwWU

- cōZ eQti AvM ÷ -wWtmæf gvtmi gta" BDwbqbw cwil`mgnak `vbxq mi Kvi wefvM mvt_ Pw³ ex AwWU dvg⁰viv AwWU Kiv nte|
- wōZxq Gj wRGmnc tZ Ašf³ i cieZ⁰eQi t_ tK AwWU dvgmgn BDwbqbw cwil` i Awl_ R AwWtUi mvt_ BDwbqbw cwil`mgn mvgwRK Ges cwitkMZ mj ¶lv gvb eRvq ti tL tQ wK bv, µq mspvš-c×wZ h_vh_ fvtē cvj b Kti tQ wK bv, Db³ mfv Abp vb Ges h_vh_ fvtē Rbm vavi tYi Rb" Z_ Db³ Kti tQ wK bv, G we lqmgā hvPvB Ki te Ges cōZ te` t b D t j L- Ki te|
- BDwbqbw cwil` i Rb" wbtqmwRZ AwWU dvg⁰AwWtUi cvkvcwK BDwbqbw cwil` i ` ¶Zv hvPvB Kvhpig cwil` Pvj bv Ki te|
- cKt i PZL⁰eQi t_ tK BDwbqbw cwil`mgn `vbxq mi Kvi wefvM KZ R `xKZ AwWU dvg⁰wbtqmw Kti `vbxq fvtē AwWU Kvhpig mæubak i tZ cvi te|
- BDwbqbw cwil` AwWUi t_ tK ewl R Awl_ R weei Yx cō vb Ki te Ges AwWUi MY th mKj Z_ P v B t e (thgb: K`vkeB, wnmv t e i eB, µq mspvš-Z_, lqvW⁰ Ges BDwbqbw cwil` i mfvmg t ni Kvhp e i Yx, lqvW⁰ KwguUi weif b e Z_ BZ`w`), Zv mieivn Ki te|
- AwWUi MY cōqvR t b BDwbqbw cwil` i m`m, lqvW⁰ KwguU/w`g Z E j eavb KwguU Ges Rbm vavi tYi mvt_ Av t j v Pbv Ki t Z cvi te|
- AwWU cōZ te` b P o v š K i t Y i c t e AwWUi MY BDwbqbw cwil` i mvt_ AwWU ch t e ¶ Y d j v d j w b t q Av t j v Pbv Ki te| D c t R j v c h t q i K g R Z t i mvt_ l AwWUi MY G a i t b i Av t j v Pbv Ki te|
- P o v š - A w W U c o Z t e ` t b i G K u K u c B D w b q b w c w i l ` t K c o v b K i v n t e | B D w b q b w c w i l ` m v P e G K u U w e A w B o v i v R b m v a v i Y t K A w W U c o Z t e ` t b i c o c ` Z v m æ u t K A e w Z K i t e |

BDwbqbw cwil` Rbm vavi tYi Dc w` wZ t Z P o v š - A w W U w i t c v U D c ` v c b K i t e |

3.3.5. AwWU gZvg t Zi wei` t x Awicj c x w Z

- AwWU gZvg t Zi wei` t x Awicj Ki t Z n t j 30 w` t b i g t a " B D w b q b w c w i l ` t K A w i c t j i A v t e ` b m n m K j m n v q K b w c l ` ` v b x q m i K v i w e f v t M c v v t Z n t e | A v t e ` t b i K u c D c c w i P v j K ` v b x q m i K v i G e s D c t R j v w b e v x A w i c m v t i i w b K U c v v t Z n t e |
- Awic t j i D c i w f w E K t i g w c h t q i c o Z t e ` t b i R b " ` v b x q m i K v i w e f v t M i c ¶ t_ t K D c c w i P v j K ` v b x q m i K v i t K ` w q Z i t ` l q v n t Z c v t i |
- D c c w i P v j K ` v b x q m i K v t i i c o Z t e ` b G e s A b ` v b " m s u k e - Z_ / D c v E (c o q v R b n t j A w W U w i w f D c h t g P m v t_ A v t j v P b v m v t c t ¶) G i D c i w f w E K t i A w i c j M o b t Y i 30 w` t b i g t a " ` v b x q m i K v i w e f v t M i c ¶ t_ t K B D w b q b w c w i l ` t K A w i c t j i P o v š - d j v d j R v b v t b v n t e |

- h^{iv} Avicj c^oμ^ovi gva^{ig} weifc AvWU gZvgZ cwi eZ^o nq, Zte D³ BD^oiqb cwi l` cieZ^oeQ^oti Rb^o tg^oš^oj K t^ovK eivi c^oš^oBi Rb^o wetewPZ nte Ges H BD^oiqb^o Rb^o AvZ^owi³ AvW^ot^oUi c^oq^ovRb nte bv|
- * D^otj E^o th, BD^oiqb cwi l` Aek^oB AvWU Kvh^oš^og mgw^oš^oi Qq gv^ot^omi g^ota^o mKj ai^ot^obi AvWU Av^oc^ow^oE^oi w^ob^oš^ow^oE^o Ki^ote|

4. μq

4.1. μq m^oš^ow^oK^oZ tg^oš^oj K avi Yv

4.1.1. μq e^oe^ovcb^ovi f^ow^oK^ov

weifb^oeDb^oq^obgj K Kvh^oš^og^o gva^{ig} t^ot^oki A^oš^ow^oZK AM^ow^oZ Zi^ow^oš^oZ n^otq ^ov^ot^oK| ^owi^o ^ow^oimb l Av^oš^ow^og^ow^oRK Db^oq^ot^obi j^ot^oš^o mi^oK^ovi m^oš^oz cwi K^oi^ob^ovi gva^{ig} AM^ow^oK^ovi g^oj K Kvh^oš^og^o w^oP^ow^oZ K^oti ^ov^ot^oK Ges Zv cieZ^oš^omg^otq weifb^oeDb^oq^o c^oK^ot^oi gva^{ig} ev^o-ev^oq^ob Kiv n^otq ^ov^ot^oK| G mKj c^oK^ot^oi w^ob^ot^oq^oMKZ A^oš^ow^oiv weifb^oe^ow^og ev^o-ev^oq^ob Kiv n^otq ^ov^ot^oK| w^og mdj ev^o-ev^oq^ot^obi Rb^o w^oš^og^o Avl Z^ovq weifb^oe^oμ^oq e^oe^ov^oq ^oQZv l Review^o w^onZv w^ob^oš^oZ Kiv GK^ov^oš^o-c^oq^ovRb| Avi m^ok^ov^om^ot^obi g^oj w^of^ow^oE^oB n^otj v ^oQ μq e^oe^ovcb^ovi|

ev^oš^ov^ot^ok mi^oK^ovi B^otZv^og^ota^ov^oB μq c^oμ^oq^ov h^ot^oš^o ms^ow^oi G^ot^ot^oQb Ges Gi dj^ov^odj w^ot^om^ote 2003 m^ov^otj c^ove^oj K c^oμ^oDi^ot^og^oU ti ^otj kb 2003 b^ot^og MYL^ov^oZ μq e^oe^ov^o P^ovj y K^ot^oi b| cieZ^oš^omg^otq c^ove^oj K c^oμ^oDi^ot^og^oU G^ov^oš^o-2006 b^ot^og MYL^ov^oZ μq m^oš^oμ^ov^oš^o-AvBb Ges GiB c^oq^oM w^ot^om^ote c^ove^oj K c^oμ^oDi^ot^og^oU i^oj m-2008 b^ot^og MYL^ov^oZ μq w^oew^og^ov v P^ovš^o-K^ot^oi^oQ^ob| G Kvh^oš^og^o D^ot^oi k^o n^otj v MYL^ov^oZ e^ow^oZ A^ot^oš^o m^oš^oen^ot^oi gva^{ig} w^oeb^ot^oq^ot^oMi m^odj j^ov^of w^ob^oš^oZ Kiv| G Ac^ov^ot^oi kb^ovj g^ov^ob^ot^oq^otj G^oj w^oRG^om^oic:2-Gi Avl Z^ovq BD^oiqb cwi l` KZ^oš^o M^oš^oxZ weifb^oe^ow^og ev^o-ev^oq^obK^ov^otj gv^oj vgvj l w^ob^og^oš^o KivR μq m^oš^oμ^ov^oš^o-w^oel^otq weifb^oe^oc^ox^ovZ l Ab^oš^omi Y^oxq w^oel^oq^om^oš^o mnRZi D^oc^ov^otq e^ow^oš^o n^otq^ot^oQ| mi^oK^ov^ot^oi g^oj μq b^ow^oZgvj vi m^ov^ot^o msM^ow^oZ ti^oš^oL G^ow^o c^ov^oq^ob Kiv n^otq^ot^oQ| BD^oiqb cwi l` G Ac^ov^ot^oi kb^ovj g^ov^ob^ot^oq^otj e^ow^oš^o c^oμ^oq^o Ab^oš^om^ot^oi m^odj f^oite μq c^oμ^oq^o m^oš^oū^ob^oeKi^ot^oZ cv^oi^ote e^otj Av^ok^ov Kiv hv^oq|

4.1.2. μq e^oe^ovcb^ovi ej^ot^oZ K^ox e^oš^ovq

m^ov^ovi Y A^ot^oš^oμ^oq^o ej^ot^oZ P^ow^on^o vi w^oeci^ox^oZ g^otj^o i w^oeb^og^otq t^oK^ov^ot^ovi gv^oj vgvj ev^o t^oK^ov^ot^ovi K^ovR m^oš^oM^oš^o BZ^ow^o tev^oS^ov^ot^ovi n^otq ^ov^ot^oK| G^oj w^oRG^om^oic:2-Gi Avl Z^ovq μq ej^ot^oZ Ab^ot^og^ow^o Z μq c^oμ^oq^ovi gva^{ig} μ^oq^oK^ov^ox KZ^oš^ot^oš^oi P^ow^on^o v t^ogvZ^oteK Ab^ot^og^ow^o Z g^otj^o gv^oj vgvj m^oš^oM^oš^o ev^o w^ob^og^oš^o/cZ^oK^ovR m^oš^oū^o b BZ^ow^o š^oK tev^oS^ov^ot^ovi n^otq^ot^oQ| D^otj E^o th, μq K^ov^ot^oR š^oU c^oš^o ^ov^ot^oK, GK^oc^oš^o μ^oq^oK^ov^ox Ges Ac^oi c^oš^o mi^oe^oiv^oK^ov^ox| μq Kvh^oš^og^o m^oš^oš^oite cwi P^ovj b^ovi Rb^o š^oμ^oq^oK^ov^ox^o l š^omi^oe^oiv^oK^ov^ox^o g^ota^o K^ow^oZc^oq kZ^oš^oGes GK^ow^o b^ow^oZgvj vi w^of^ow^oE^ot^oZ μq Kvh^oš^og^o m^oš^oū^ow^o Z nq Ges G e^oe^ov^ot^oKB μq e^oe^ov^ocb^ovi ej^ov n^otq ^ov^ot^oK|

4.1.3 $\mu q e^{\bar{e}} \bar{v} c b v m s \mu v \bar{s} - c \bar{q} v R b x q m s \bar{A} v m g n$

wel q	ms $\bar{A}v$	D $\bar{v} n i Y$
gvj vgvj	mi $\bar{A} v g w^{\bar{e}}$, h $\bar{s} c w Z$, n w Z q v i Ges K w b, Zij w K s e v e v q e r q t h t K v t b v c \bar{v} $\bar{G} i$ A \bar{s} - f \bar{p} n t e Ges h v g v j / c Y / $\bar{e}^{\bar{w}}$ w n t m t e w e t e w P Z n t e	Gj w R G m i c : 2 - G i A v l Z v q B D w b q b c w i l t i R b \bar{v} $\mu q K Z$ A $\bar{e} v$ $\mu q Z e^{\bar{v}}$ t K v t b v t P q v i , t U e j , m v B t K j , t b w l J k t e v W $\bar{B} Z^{\bar{w}}$
w b g w / c Z R v R / t g i v g Z	w $\bar{t} g i$ R b \bar{v} t $\bar{v} K$ e i v t i A v l Z v q $\mu q K Z$ w K s e v μq K i v n t e G g b t h t K v t b v a i t b i w b g w , t g i v g Z , i w Y t e w Y e v m s $\bar{v} i$ K v R t K t e v S v t e	w $\bar{t} g i$ A v l Z v q w e w f b w b g w / c Z \bar{v} K v R m g n
μq K v i x e v w $\bar{t} g$ K Z e w	μq K i v i R b \bar{v} w $\bar{v} q$ Z c o b K Z e w	B D w b q b c w i l \bar{v} e v m i K v i K Z R w b a w i Z K Z e w
μq K w g u l	μq K v i x K Z e w e v μq K v i x K Z e w n t Z w $\bar{v} q$ Z c o b t h K w g u l μq c o $\mu q v$ c w i P v j b v K i t e b	l q w w K w g u l , $\bar{v} i c \bar{t}$ g j $\bar{v} q b$ K w g u l
$\bar{v} i \bar{v} Z v$	μq c o $\mu q v q$ G j w R G m i c : 2 - c k t i t i t $\bar{v} K$ e i v t i A a x t b g v j v g v j m i e i v n Ges K v R m $\bar{a} u$ t b i R b \bar{v} t K v t b v A s k M h Y K v i x w K s e v m $\bar{a} e$ A s k M h Y K v i x t K t e v S v t e	g v j v g v j m i e i v n K v i x c o Z o v b , w b g w K v t R i w K v $\bar{v} i$, c o v i m s $\bar{v} v$ B Z \bar{w}
$\bar{v} i c \bar{t}$ m $\bar{a} u$ w K Z b w c t / W K t g u m	G j w R G m i c : 2 - c k t i t i t $\bar{v} K$ e i v t i A v l Z v f \bar{p} $\bar{v} i c \bar{t}$ A v n v t b i K v M R c i w K s e v g v j v g v j μq l K v t R i R b \bar{v} c o $\bar{v} e$ A $\bar{e} v$ $\bar{v} i$ m s $\mu v \bar{s} - m K j$ K v M R c i t e v S v t e	μq m s $\mu v \bar{s}$ b w , t U E v i t b w l J k , t U E v i W K t g u l , c w i K v q c k w i k Z w e A w b , g j $\bar{v} q b$ c o Z t e $\bar{v} b$, A b t g w $\bar{v} Z$ b w , K v h w $\bar{v} k$, P w $\bar{v} c \bar{t}$ B Z \bar{w}

4.1.4. $\mu q m \bar{a} u w K Z A v P i Y$

Gj w R G m i c : 2 - G i A v l Z v q g v j v g v j μq , w b g w / c Z R v R m s M h n i m g q h $\bar{v} m$ $\bar{a} e$
m Z K Z v i m v t \bar{v} μq K v h w $\bar{v} g$ c w i P v j b v K i t Z n t e , h v t Z t K v t b v i f c A w b q g m s N w l U Z b v
n q | G t w t i w b t P i A v P i Y m g n c w i n v i G K v s - c o q v R b :

- K) μq K v t R B D w b q b c w i l \bar{v} Ges m s w k e - K w g u l i t K v t b v m $\bar{v} m$ g v j v g v j e v c Z R v R
 μq K v t j t K v t b v m i e i v n K v i x , w K v $\bar{v} i$ t K K v R t \bar{v} l q v i c o Z k o v Z w $\bar{t} g$ h w \bar{v} t K v t b v
A $\bar{e} v$ D c n v i e v A b \bar{v} t K v t b v i f c m n t h w M Z v M h Y K t i b Z v n t j Z v \bar{v} w Z g j K
K v t R i A v l Z v q c o t e ;
- L) μq K v t R B D w b q b c w i l \bar{v} e v μq m s w k e - K w g u l i t K v t b v e \bar{w}^3 e v m i e i v n K v i x ,
w K v $\bar{v} i$ h w \bar{v} μq c o $\mu q v q$ t K v t b v w e l t q w g $\bar{v} i$ A v k t t b b Ges Z v c o w Y Z n q
Z t e Z v c o Z v i Y v g j K K v R w n t m t e w e t e w P Z n t e ;
- M) μq K v t R μq m s w k e - K w g u l i m v t \bar{v} t h t K v t b v e \bar{w}^3 Ges t K v t b v m i e i v n K v i x e v
w K v $\bar{v} i$ h w \bar{v} t M v c b t h w M v t h v t M i g v a $\bar{t} g$ G g b t K v t b v K v R K t i b , h v i d t j A b \bar{v}
t h w \bar{v} m i e i v n K v i x e v w K v $\bar{v} i$ t i i c o q v R b x q t h w \bar{v} Z v \bar{v} K v m t E j l $\bar{v} i$ c o Z t h w M Z v q
A s k M h Y e w A Z n e v i m $\bar{a} e$ b v c o w Y Z n q , Z t e Z v P $\mu v \bar{s} g j$ K K v R w n t m t e
w e t e w P Z n t e ;

N) hw` Dctii μqKvR μq msiké-KugulU mvt_ thtKvRbv msiké-e`w³ Ges tKvRbv mieivnKvix, wKv`vi GKtĭ ev c_Kfvte tKvRbv c¶ Ggb tKvRbv evavi mμō Ktib, hvi dtj Ab` thvM` mieivnKvix, wKv`vi cĀZthvMZvq `icĀ`vLj ev AskMhY evavMÖ`-nb, Zte Zv Rei`w`gj K AvPiY wntmte wetePZ nte;

μq KvR Dcti ewYZ welq_ t_j v cwi nvi Kti μqcĀμqv m`úbaeKi tZ nte| Ab`_vq Zv Ī`wUcY`μq wntmte wetePZ nTZ cvti Ges msiké-BDwbq cwi l` wbtlavÁvi Avl Zvq Gj wRGmnc:2-Gi t_vK eivĭ t_ tK ewAZ nTZ cvti | cvkvcwK Dctii th tKvRbv Ae`v bRti Avmtj Ges Zv cġwYZ ntj t¶Īwētktĭ μq KugulU ev BDwbq cwi l` ev wewRimim ev `vbxq miKvi wfvM Zvi Dci e`e`v wbtZ cviteb| KvRb BDwC tPqvi g`vb, m`m`, mμPe Ges msiké-μtqi mvt_ RwoZ e`w³MYtK G mKj wel tq mRvM _vKtZ nte Ges mZZv, wbitc¶Zv Ges `^QZvi mvt_ mWKFvte μq cĀμqv Abyni Y Ki tZ nte|

4.2. Gj wRGmnc:2-Gi Avl Zvq MhYthvM` μq

th mKj BDwbq cwi l` ewaZ t_vK eivĭ i Avl Zvq mrvqZv cvte, Zviv Gj wRGmnc:2-Gi Acvtikbvj g`vbtqtj th mKj ev`evqbtvM` w`dgi Zvwj Kv t` lqv nttqQ, tKej tm mKj w`dgi AšfP gvj vgvj Ges cZKvR msMh Ki tZ cviteb| G mKj gvj vgvj l cZKvR e`ZvZ Ab` tKvRbv μq MhYthvM` etj wetePZ nte bv|

μq l Pw³ tZ tPqvi g`vb, mμPe l m`m`MtiYi fvgKv

Avtj vP` Gj wRGmnc:2- cKtĭ i Ab`Zg gj Dtĭ k` ntj v- Gj vKvi RbMtiYi Pwin`v Ges cĀ`¶ AskMhY thb BDwbq cwi l` Zvi Dbqab cwi Kí bv wbtRivB cĀqab Ki tZ cvti Ges Zv KvRKi fite ev`evqab Ki tZ cvti | G e`e`v wbdZ Ki tZ B Dbqabi mtdj mrvaviY gvb| tctZ m¶lg nteb| G gj gtsj aviK-evnK wntmte BDwbq cwi l` tPqvi g`vb, mμPe, m`m`MY, lqW`KugulU, `icĀ` gj`vqab KugulU l w`g mpcvifKb KugulU-i fvgKv LpB `i`ZcY`Ges w`g ev`evqab msiké-μq cĀμqv m`úbaeK`cwi`vi Ges `^Q Ávb bv _vKtj Zv mdj fite m`úbaeKiv hvte bv| tPqvi g`vbMY Zvt` i wR wR w`g μq l ev`evqabi Z`vi wKtZ mRvM _vKteb, WweDwm l GmGmimi m`m`MY w`g wbePb, ev`evqab Ges ZĖyavtb h_vh_ fvgKv l `wqZi cvj b Ki teb, mμPe μq mspvš-KvhPrg l `wjjw` cĀZ, cĀμqvKiY Ges msi¶tiY mtpó _vKteb, m`m`MY mWk μq cĀμqv AbynZ nt`Q wK bv Zv wbdZ Ki teb| cĀqvRtb μqKvRi cieZP eQti MnxZ μqKvthP gj`vqab Ki teb Ges gj`vqab dj vdj t_ tK cieZPKtj w¶¶Yxq wKQz_vKtj Zv Abyni Y Ki teb|

Gj wRGmnc:2-Gi Avl Zvq MhVZ μq msiké-KugulUmgñ

4.2.1. μq mspvš-KugulU

Gj wRGmnc:2-Gi Abtjgw`Z w`dgi Avl Zvq gvj vgvj/cZKvR msMhni Rb` t`úkwtdtKkb/gvb`É l Pwin`vi w`K j ¶ tĭ tL ht_vchY³ l mvktx gĭj` mpyfite l wbitc¶Zvi mvt_ μq cĀμqv cwi Pvj bvi Rb` BDwci wewfbae`#i m`m` l MY`gvb` e`w³eM¶ mgštq MhVZ wewfbaeKugulU tK μq mspvš-KugulU ej v nte| Gj wRGmnc:2-

Gi Avl Zvq ṽbxbqfvte KtqKwU ṽfi μq cōμqvi cwi Pvj bvi Rbṽ KtqKwU KugwU MVb Kiv ntqṽQ ṽmṽtjv ntjv: (1) I qvWᶜKugwU, (2) ṽicṽ gj ṽvqb KugwU | ṽgmgṽ mṽWKfvte evṽevqb Zṽ vi wKi Rbṽ ṽg ZÉyeavb KugwU i ṽqṽQ | G wēl ṽq wṽP Avṽj vPbv Kiv ntjv:

BDṽbqb cwi I ṽ

BDṽbqb cwi I ṽ Gj ṽRGmṽc:2-Gi Avl Zvq mKj μq cōμqv mṽúv ṽbi Zṽ vi wK Kiṽe Ges cikvcmk wēvfbeμq KugwUmgṽK ṽṽxb I wbi ṽcṽṽfvte μq cōμqv cwi Pvj bvq mṽvqZv Kiṽe |

4.2.2. KugwU MVṽbi bṽwZgvj v I ṽ i "Zcṽᶜewkó

hw I Gj ṽRGmṽc:2-Gi Avl Zvq BDṽc chṽq wēvfbe KugwUṽi MVb mṽúv Kᶜ wēl q BṽZvcṽᶜAvṽj vPbv Kiv ntqṽQ, Zṽwṽc ṽKej gvṽ μqmsṽkᶜ- KugwUmgṽni Dṽj EṽhṽMṽ wṽ K mṽúṽKᶜAvṽj vPbv Kiv ntjv:

- I qvWᶜKugwU (WwēDṽm) : I qvWᶜchṽqṽi cṽKvṽ" mfv Abṽṽb Kṽi I qvWᶜKugwU MVb KiṽZ nṽe |
- msṽkᶜ-I qvWᶜcṽKvṽ" mfvq wbeṽPZ 7 Rb mṽmṽ wṽbq I qvWᶜKugwU MṽWZ nṽe | Zṽe kZᶜᶜṽṽK th KugwU mṽmṽṽ i gṽṽ GK-ZZxqvsṽ mṽmṽ (bṽbcṽṽ 2 Rb) gvṽj v ṽvKṽeb |
- msṽkᶜ-I qvWᶜmṽmṽ ev msiṽṽṽZ Avṽṽbi gvṽj v mṽmṽ nṽeb KugwUṽi AvṽṽvqK |
- BDṽc mṽmṽ ṽṽ Rb |
- ṽṽ wKṽṽK GK Rb |
- ṽṽbxb mgvRṽmeK ṽṽ Rb (GK Rb bvi x GK Rb cṽj "I) |
- GbṽRI /mṽxj mgvṽRi cṽZṽbṽa GK Rb |
- gvṽṽṽṽṽ/vṽṽṽṽṽṽṽṽ mṽṽṽ GK Rb (cṽl qv bv ṽMṽj GK Rb mṽvavi Y bṽwṽi K) |
- I qvWᶜKugwUṽi Kgctṽṽ 2 Rb gvṽj v mṽmṽ nṽeb |
- ṽKṽṽbv I qvWᶜKugwUṽi mṽmṽ ṽg ZÉyeavb KugwUṽi mṽmṽ nṽZ cṽiṽeb |
- msiṽṽṽṽZ Avṽṽbi gvṽj v mṽmṽMY Kgctṽṽ 3ṽw I qvWᶜKugwUṽi AvṽṽvqK nṽeb | GK Rb gvṽj v mṽmṽ, Zvi wbeṽPbx Gj vKṽq, cṽj vṽṽṽ 3ṽw I qvWᶜKugwUṽi AvṽṽvqK nṽeb |
- I qvWᶜmṽmṽeṽṽ KZṽ AvṽṽwṽRZ I qvWᶜchṽqṽi cṽKvṽ" mfv ṽṽK Abṽṽ mṽṽmṽi Gj vKvi Rbṽvavi Y gṽṽbvṽZ Kiṽeb |
- ṽKṽṽbv eṽṽṽ GKB mṽṽṽ GKṽṽi ṽṽṽ I qvWᶜKugwUṽi AvṽṽvqK/mfvṽwZ nṽZ cṽiṽeb bv |
- mṽmṽṽ i gaṽ ṽṽK KugwU KZṽ gṽṽbvṽZ GK Rb mṽmṽ mṽPṽei ṽwqZṽ cṽj b Kiṽeb |

I qvWᶜKugwUṽi ṽwqZṽmṽ:

- I qvWᶜmfvṽi gṽṽṽṽ ṽṽbxb chṽqṽi cwi Kṽi bv cṽṽṽ Kṽhṽṽṽ Ges RbAskMṽṽṽYi gṽṽṽṽ Dᶜᶜ cwi Kṽi bv cṽṽṽṽ mṽvqZv Kiv |

- Abtḡw Z wḡg ev`evqb Kiv|
- msiké-I qvW^q vK eivtī i Avl Zvq wKv`vi KZR ev`veqbraxb wḡg,tjv vboqvgZ ZĒyeavb Kiv|
- kḡNb KvḡRi tḡḡtī vbxq kḡgK vbtqvM vbwōZ Kiv|
- mi vmi μq c×wZ A_ev `icḡtīi gvaḡḡ μq c×wZ AbmiY Kti gvj vgvj μq Kiv|
- wḡḡgi mvgwRK I cwi ḡekMZ cḡve hvPvBKiy|
- cwi ḡek Ges mvgwRK evQvBKiy (BGMGgGd) Ges BGMGgGḡdi wivfD dg^o `Zwi |
- Aci GKw μq KvgwJi `i Kvi AvtQ wK bv tm mspvš-vm×vš-MḡY|
- mieivnKvi/ thvMvb`vZvi voku t_ḡK cōĒ μq Avt`k/Kg^q k Abḡvqx `ē`mvgMā/ tmevmgḡ eḡS tbi qv|
- mKj μḡqi vej, fivDpvi, gv÷viti vj BZ`w` msiḡḡY Kiv Ges BDvqb cwi I`ḡK AwWU Ges Ab`vb` Kvhḡḡḡi Rb` H mKj KvMRcĪ cōvb Kiv|
- Gōvovl BDvqb cwi I` KZR cōĒ Ab`vb` `wqZ; cvj b Kiv|

4.2.3. BDvqb chḡq μq I msMḡ mspvš-veI ḡḡ vbtḡie KvgwUmgḡni Kvhēwi va

ḡwqZcōB KvgwU	μq/KvḡRi cKwZ	μḡqi ḡḡ`mḡv	wK c×wZḡZ ev wKfvte μq Kiḡeb	gšē
I qvW ^q KvgwU	K) gvj vgvj msMḡ, vbg ^q / cZKvR	Abtḡw Z cō`wḡ Z ḡḡ` 25,000/- (cūPk nvrvi) UvKv chḡḡ	K) mi vmi μq c×wZ	c×wZi we`wi Z weeiY cieZ ^q Aa`vtḡ Avḡj vPbv Kiv ntḡḡQ
	L) gvj vgvj msMḡ vbg ^q /cZKvR	Abtḡw Z cō`wḡ Z ḡḡ` 5,00,000/- (cūP j ḡḡ) UvKv chḡḡ-	L) wi ḡKvḡḡ÷ di tKvḡUkb (Avi Gd wKD) A_ḡ ^q evRvi t_ḡK tKvḡUkb msMḡni gvaḡḡ	
	M) kḡNb KvḡRi tḡḡtī, thgb ḡwJi iv`v`Zwi ev ḡḡi vḡZ, Rj vavi `Zwi BZ`w` A_ḡ ^q th KvR kḡḡv ^q Zv `vbxq evRvi t_ḡK kḡ msMḡni gvaḡḡ ev`evqb	Pv ³ ḡḡ` 5,00,000/- (cūP j ḡḡ) UvKv chḡḡ-	KvgDvbiU μq c×wZ	

`icĀ gj`vqb KvgnU	gvj vgvj , wbgP/cZRvR	cĀ`ij Z gj` 5,00,000/- (cWp j 9)	DbvP μq c×wZ	c×wZi we`wi Z weeiY cieZP Aa`vtq Avtj vPbv Kiv ntqtQ
-------------------------	-----------------------	--	-----------------	---

tbvU: `šiY ivLtz nte th- DĀxKiY KgPi Avl Zvq cPvi wfhvb cwi Pvj bv, mPZbZvgj K Kvhpvg KvR eQti 25,000 UvKvi EtāyLIP Kiv hvte bv |

- Dcti i Qtk ewYZ KvR Ges μqc×wZ h_vh_ AbniY Kti μq Kvhpvg cwi Pvj bvi gva`tg ,YMZgvbmāubēgvj vgvj | cZRvR mvkqj gj` mSMh Kiṭe; Dcti Dvj wLZ KvgnUmgā Kvhp`k/mieivn Avt`k Abjvṭi mieivnKvixi wBKU t_ṭK gvj vgvj , cZRvR eṭS tḃte;
- BDwqob cwi l` KZR cĀ`E Ab` th tKvṭbv KvR Dcti Dvj wLZ KvgnUmgā māuv`b Kiṭe;
- Dṭj E_vṭK th, ewYZ μq cĀμqv Qvovl KṭqKuU wēlq `šiY ivLv cĀqvRb th, tḡĀ wētkṭl miwmwi μṭqi gj`mxgvi gṭa` μq Kvhpvg miwmwi μq c×wZ AbniY Qvovl AvigdwKD ev tKvṭUkb μq c×wZi gva`tg D³ μq māuv`b Kiv thṭZ cvṭi | thgb 25,000 UvKv chS-tKvṭbv gvj vgvj ev cZRvR tḡĀ wētkṭl miwmwi μq cĀμqv Qvovl AvigdwKD-Gi gva`tg l māubēKiv thṭZ cvṭi |
- GKBFvṭe AvigdwKD-Gi gj`mxgvi Avl Zvq MpxZ μq Kvhpvg tḡĀ wētkṭl DbvP `icĀ c×wZi gva`tg l māuv`b Kiv thṭZ cvṭi | thgb, 5 j 9 UvKv chS-th tKvṭbv gvj vgvj ev cZRvR tḡĀ wētkṭl DbvP μq cĀμqv gva`tg l māubēKiv thṭZ cvṭi |

4.3. tḡvKvj MfbQY mṭcvUcĀRṭ±i Avl Zvq μq c×wZ

4.3.1. μq-c×wZ ej ṭZ wK tevSvq

Gj wRGmwc:2-Gi Avl Zvq w`g ev`vevqṭbi Rb` th mKj gvj vgvj /cZRvR mSMh Kiv cĀqvRb, Zv th e`e`vi Avl Zvq māubēKiv nte, ZvṭK μq-c×wZ ej v nte:

c×wZ AbniṭYi , i`Zṭ;

- mWk Ges ,YMZgvbmāubēgvj vgvj wPwYZKiṭYi gva`tg gvj vgvj /cZRvR mSMh wBwĀZKiṭY μq-c×wZi fvgKv , i`ZcY;
- mWk μq-c×wZ AbniY Kiv ntj μqKvṭj k;Lj v Ges cḡvegyP μq wBwĀZ Kiv mē;
- μq-c×wZi wbePb mWk ntj μq-cĀμqv mgṭqi mĀ`envi mē nte, cikvcwK A_ḡmṭṭqi gva`tg ,YMZgvṭbi μqKvR mgvavb Kiv hvte;

- μq-cxwZi gva'tg μqKvR "QZv I Review" wZv wvDZ Kiv mae;
- Avak e'qmswke-w'g RbMtYi ma'u,3 Zv ev AskMhtYi mthvM mwD Kiv mae weavq Dbj3 μq-cxwZtZ Gi mthvM ivLv ntqtQ|

4.3.2. Gj wRGmw:2-Gi μqcwZ

Gj wRGmw:2 cKti i μqmswš-Kvh'g AZ's-Ri'wi welq Ges cKti i mdj Zv μq Kvh'gti cxwZ wbePbi I ci eEj vstk wfpkxj | wK wK gvj vgvj ev wK wK cZKvR Kiv nte, Zvi cxwZ wba'Y Kiv c'g Ges "ZcY'KvR wntmte wetePbv Kiv thtZ cvti | ew'Z t_vK ei'f'i Avl Zvq BDwC KZK thw'K μq-cxwZ wba'Y Kiv GKvš-c'qRb| KvRi aib Ges cv'w'j Z g'j' i I ci cxwZ wbePb Kiv DvPZ, hvi GKwU ifcti Lv wbtP t' I qv ntj v:

μq	Gj wRGmw:2-Gi Avl Zvq wKZ μtqi aib	μtqi Avl Zvq weteP' wel qmgn	c'w'j Z g'j' mxgv
1	mi vmi μq cxwZ	gvj vgvj / cZKvR mSMh	Abtgv' Z c'w'j Z e'q 25000 UvKv chš-
2	Avi Gd'KD cxwZ	gvj vgvj / cZKvR	Abtgv' Z e'q 500000 UvKv chš-
3	KwgvDvbi μq cxwZ	v'vix k'gNb KvR (gvw'Ui KvR ev tgi vgtZi KvR BZ'w')	Abtgv' Z c'w'j Z e'q 500000 UvKv
4	Dbj3 μq cxwZ	gvj vgvj / cZ'KvR BZ'w' μq ev mSMni t'f'f'	Abtgv' Z c'w'j Z e'q 1000000 UvKv chš-

4.3.2.1. mi vmi μq-cxwZ

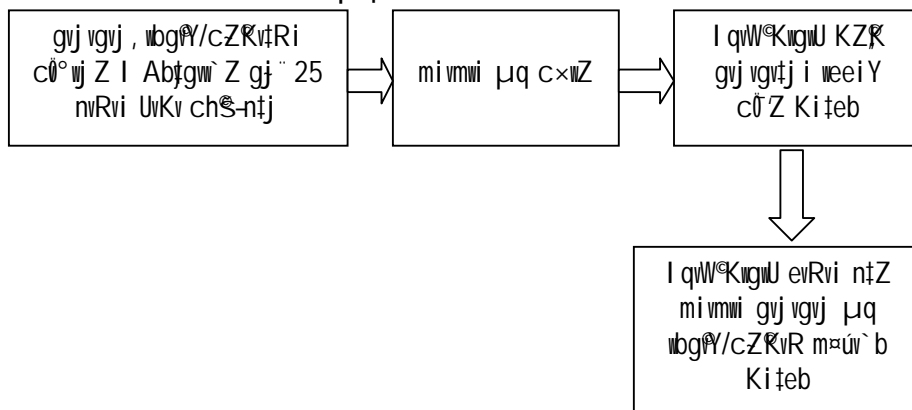
BDwC Gi Avl Zvq 25,000 (c'w'K nvRvi) UvKvi gta' tKv'bv gvj vgvj ev cZKvR mSMh Kiv c'qRb nq Zte Zv μqKvix KZ'f' A'f' Abtgv' Z I qw'Kw'U evRvi t'f'K mi vmi mieivnKvix/wKv'vi/e'w'3 ev c'v'vix ms'vi w'KU t'f'K Zj' bvgj K' i c'f' QvovB 25,000 (c'w'K nvRvi) UvKv chš-th tKv'bv cwi gvY gvj vgvj ev KvR μq KitZ cvte| G cxwZtZ mi vmi μq cxwZ ejv hvq| Gt'f'f' tKv'bv c'Zthw'Zvgj K' i c'f' c'qRb nte bv| G cxwZ Abmi'tYi Df'f' k' ntj v:

- AvZ Af' mg'tq μqKvR mg'vav Kiv;
- Avak Avb'w'w'KZv ev c'w'q'v cwi nvi Kiv;
- cKti i KvRi MwZew'tZ mnvqZv'vb;
- cKti i f'f'gq'w' Df'f' k' 'Z ev'evq'v wvDZ Kiv|

miKwi μq weavq'vq (w'w'Avi-2008) G cxwZi Abmi'tYi Df'f' t_vKvq Gj wRGmw:2-Gi Avl Zvq we'f'be'w'g ev'evq'tb c'w'vR' t'f'f' G cxwZ c'qM Kiv thtZ cvti | Zte j'f' ivL'tZ nte th,

- tKvfbv μqKvRtK Գլի՝ A t¼ wef³ Kti Dfı k`gj Kfvte G c×wZi c0qM Kivi B`Qv t_ıK wei Z _vKtZ nte;
- h_vm#e tKvfbv thšw³ K KviY bv ntj G c×wZ AbyniY bv Kiv;
- G c×wZtZ c0ZthwMZv bv _vKvq Awak gēj` μtqi mthvM _vtK, KvtrB BDwC hvfZ c0ZthwMZvgj K`tii μq mjevav t_ıK ewAZ bv nq tm wel tğ mRvM _vKtZ nte|

4.3.2.1.1. միմուի`icĭ c0μqvi tdt+PvU©



4.3.2.2. KւցDւնւՄ μq-c×wZ

`wi`՝ ւոմտիբի յtԳլ` th mKj KւR` vbxq RbMtYi ցա`tğ միմուի մաւն`b Kiv hvq, Zv KւցDւնւՄ μq-c×wZii ցա`tğ Kiv thtZ cvti | Աբղաւ Z շ0°ւյ Z e`q 500000/- (սւP յ Գլ) ՍրՐի շՏ-կնNb ւ`g ev`evqտի tԳլtĭ մոցաւՐK μq-c×wZ ԱբնիY Kiv thtZ cvti | Աբղաւ Z շ0տի i Աւլ Zvq mij կնաւԻԷK KւR thgb, ցաւKւՍ, ev fivUKiY, ցաւՄi iv`v ւոցԹ, eva ւոցԹ BZ`ա` G c×wZi Աւլ Zvfv³ nte| c×wZ միKտիi μq bawZցյլ vi մտ_ մոցԱմ`cY©nI qvq c0hvR` tԳլtĭ Zv c0qM Kiv thtZ cvti |

KւR մաւն` b

KւցDւնւՄ μq c×wZ ԱբնիYKտյլ I qWԳKւցւՄ BDւնոցb cւի I t`i մտ_ ւոթաւYՉ OK Աբնտի Pւ³ մաւն` b Kti ւ`g ev`evqb Kիտե| Pւ³ cĭtĭ շ0տի` v, Kւի Mւի ւեւիY, KտՐի cւի ցյլ, KւR մաւն` tբi մոցաւցv Ges Աb`v` c0qւRbxq kZԹւյի ւե`ւի Z ւել qmգԹ Dtj ւ`vKtZ nte|

Kivg DabwU µq cĀµqvaq BDwci m½ I qvW©KivgUwi Pw³ cĀi bi bgbv OK

..... tRj vi DcĀRj vi
 BDwci..... bs IqvŰWŰ IqvW©KivgUwi (cĀg cĀ) cĀZwbwa wntmte Rbve
 cwilĀi (wĀZxq cĀ) cĀZwbwa wntmte
 tPqvi g'vb Gi gĀa" KvĀRi (wbgŰ/tgi vgZ BZ'w) Rb" A`"
 Zwi ĀL(-vĀb) m'úvw' Z Pw³ bvgv |

Pw³ i kZŰwj :

1. BDwbqbw cwilĀi µq Ges/A_ev KvŰw'wi KĀbv tgvZvĀeK 1g cĀ 2q cĀ KZR cĀ'j b Ges KvĀRi weeiY AbĀgv' b mvtcĀĀ G Pw³ cĀi Zdwmtj we'wii ZfvĀe eiYŰ KvR m'úbwKĀte;
2. mŰthw'RZ Zdwmtj ewYŰ mgqmP tgvZvĀeK 1g cĀĀ w'g ev'evqĀbi KvR i i" Ges m'úbwKĀi Z: 2q cĀĀ ev Zvi gĀbvbxZ cĀZwbwai wĀKU KvR n'všĀ KĀte;
3. wĀqš'Y ewnfŰ hw³ msMZ Kvi Y e'wZĀi ĀK 1g cĀĀ tKvĀbv Ae'vĀZB w'g ev'evqbw KvR eÜ KĀĀZ cviĀe bv;
4. 1g cĀĀĀi w'g ev'evqĀbi KvĀR tKvĀbv cĀKvi weNem'j bv KĀi 2q cĀĀ th tKvĀbv mgq cĀKĀi KvĀRi cwigvYmZ I 'ymZ gv b mi RwgĀb cwilĀ' kĀ KĀĀZ cviĀe;
5. Pw³ cĀi kZŰ'gvZvĀeK 1g cĀĀĀ w'g ev'evqĀbi tKvĀbv kZŰ'Ā Āi Āj Rb'Ā'Ā' 1g cĀĀĀĀi wei'Ā'x cĀZ'weavbgj K e'e'v MĀĀ'Yi AwĀKvi 2q cĀĀĀĀi 'vKĀte;
6. 1g cĀĀĀ I 2q cĀĀĀĀĀ gĀa" tKvĀbv cĀKvi weĀiva t'Lv w'ĀĀj DfqcĀĀĀ mgĀSvZvi gva'Āg Zv mj'vrv Kivi c'ĀĀĀc MĀY KĀte| tKvĀbv cĀKvi mj'vrv m'e bv nĀj weiqw t'vK eivĀ mgšĀ KivgUwi w'xvš-Povš-Ges DfqcĀĀĀĀĀ Rb" eva'Zvgj K nĀe|

ĀĀĀi : 1g cĀĀ
 m'vĀĀx :

ĀĀĀi : 2q cĀĀ
 m'vĀĀx :

Ā'vbxq kĀĀK wĀĀq'wM

I qvW©KivgUwi wĀĀRB hLb w'gwU ev'evqbw KĀte ZLb KivgU w'gwU ev'evqĀbi Rb" cĀĀq'Rbxq RbeĀi j msL'v wĀifcY KĀte Ges Ā'vbxqfvĀe cĀc" Rbej cĀĀq'Rb AbĀ'vqx wĀĀq'wM KĀte| DĀj Ē th, Ā'vbxq gR'vi i cwigvY Aek'B eivĀ KZ evĀRU AwZµg KĀte bv Ges kĀĀĀĀi gR'vi nvi cĀĀj Z evRvi Ā'Āi m'vĀ' mvgĀm'cY'nĀZ nĀe| GmKj weiq w'g ZĒ'weavb KivgU KZR wĀqwgZfvĀe Z'vi K KĀĀZ nĀe|

Zduntj i weeiY l`tii nvi

BDwbqbw cwi l` DctRj v..... tRj v.....

KvRi eYb	KvRi GKK	KvRi cwi gvY	c0qvRbxq Rbej / k0jw`em	c0Z k0jw`etmi gRji nvi	k0jw`em eve` tgvU LiP (4x5)	gše`
1	2	3	4	5	6	7

~vji : 1g cfl

~vji : 2q cfl

AwM0 A_M0Y

w`dgi aib Abjvqx `wbK wfwEtZ e`q wbein KitZ nte weavq `bw`b e`q Ges kigtKi cvl bv cwi tkvtai Rb` w`g ev`evqb KugwU KZR AwM0 A_M0Yi c0qvRb nte Ges hv cieZ0Z gv÷vi-tivtj gRjx cwi tkvtai tfti wbtPi OK e`envi KitZ nte Ges gRjx cwi tkvtai tikW0msi flY KitZ nte| w`g ev`evqtb i Rb` Pw3 m`uW Z ntj I qW0KugwU mtevP 50,000.00 (cAvk nvrvi) UvKv chS-AwM0 M0Y KitZ cvi te Ges MpxZ AwM0 At_P wej mgšq mvtctfl cieZxkw`-c0vb Kiv hrte|

gv÷vi tivtj gRji cwi tkvtai bgbv OK

μgK bs (kigK msL`v)	kigtKi bvg	wKv bv	cwi tkwaZ UvKvi cwi gvY			gše`	wJcmn/ ~vji
			gRji	w`b/ cwi gvY	tgvU UvKv		
1	2	3	4	5	6	7	8

AwM0 mgšq

I qW0KugwU kigtKi cvl bv A_ev h_vh_ e`q cwi tkvtai ci BDwbqbw cwi l`i wmxvS-μtg `wbK wfwEtZ A_ev wbw 0 mgq Ašit wba0i Z di tg cieZP AwM0 M0Yi Rb` Li tPi weeiY Rgv t`te| cieZPkw`-cvl qvi j tfl I qW0KugwU KZR Aek`B ce0ZP wkw`-t 75% cvl bv wgvU t bvi 7 (mvZ) w`tbi gta` BDwbqbw cwi l`i mivtpei wBKU gv÷vi tivtj weeiYx Rgv c0vb Kiv nte|

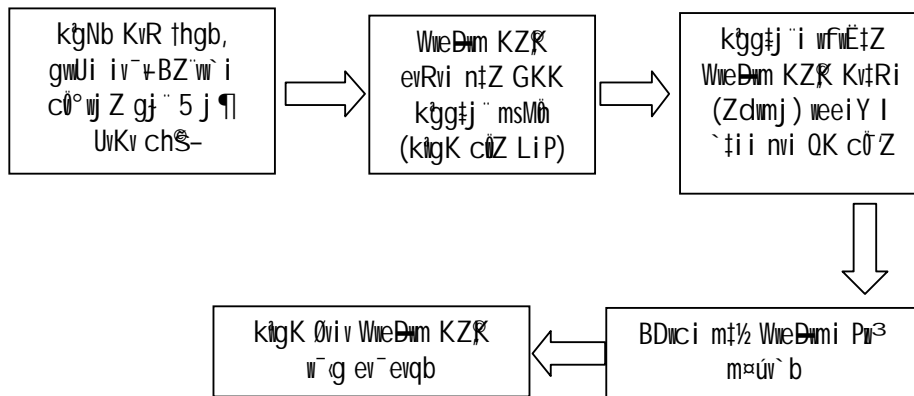
AwMögi Povš-mgšq

w`g ev`evqb m`ub`enevi ci mtev⁹ 15 (c`bi) w`tbi gta` I qvW⁹KuquW mské-
KvRi mg`q Li`Pi gv`vi`ij mn Ab`vb` wnmve weei Yx BDwbq cwi l` mivP`ei vbKU
Rgv w`tq AwMö mgšq Kite| Ab`vq KuquW Avn`vqK cieZ⁹A_ermti tKvRb bZb
w`dgi Rb` cpivq we`eiPZ n`eb bv|

Li`Pi weeiY

BDwbq cwi l`i miv_ Piv³ Avl Zvq ev`ewqZ w`dgi gv`vi`ij mn hveZxq
cwi tktvai h_vh_ fivDPvi I qvW⁹KuquW BDwbq cwi l` Acv`tkbvj g`vb`qj Ab`hvqx
msi ⁹Y Kite| AZtci G_`tjv BDwbq cwi l` mivP`ei wR⁹sq BDwbq cwi l` Awd`tm
msi w`Z_vKte|

KuquW muq-c`muqvi tdtv-PvU⁹



4.3.2.3.1 Avi GdwKD c`wZ: w`tkvtq` di tKvUkb A_`r Ab`tivact`i gva`tg` i msmh

evRv`ti we`g`v Ges hv³msMZ `f` gj`i m`vaviY gvjvgvj ev cZ⁹RvR m`u`wKZ KvRi
Rb` Ab`tgw` Z c`o`j b l ev`RU eiv`i`i gta` m`gvex t`_tK tKvUkb c`o`vbi Rb`
w`vfbomi eivnKvix` i Ab`tiva Kivi c`wZB n`jv Avi GdwKD c`wZ|

hLb evRv`ti Pwn`v Ab`hvqx c`e⁹ l`qv Q`K ewY⁹ c`KwZ l` gj`m`xvi gta` hveZxq
gvjvgvj muq Kivi m`thvM i`tq`Q Ges Zv evRv`ti KtqKuW m`pv`gavix c`o`Zovb t`_tK msmh
m`e, tKej ZLbB G c`muq Avjni Y Kiv hv³hv³ n`te|

Zte gtb ivL`Z n`te th:

- hv`Z c`o`ZthvMZv Gov`bvi Rb` tKvRb muq KvR`K D`i k`gj` Kf`te ⁹l`⁹ ⁹l`⁹ A`t`⁹
wef³ K`i Zvi gva`tg G c`wZ c`o`qM Kiv bv nq;

- Gt¶¶t¶ Dby¶ `ic¶ AbjmiY Kivi Rb` hvezxq QK I `wj j w` e`envi Ges e`vcK Avb¶w¶bKZv m`ubæKivi m¶thvM _vtK bv weavq h_v m`æ GKwaK m¶vgavix c¶Z¶vrb t_¶K GKK I tgvU Dfq wfwE¶ZB `i msm¶h Ki¶Z nte Ges wba¶¶i Z gvb mvtct¶¶ wbgæz g tgvU `¶ii wfwE¶Z µq m`ubæKi¶Z nte|

Avi Gd¶KD c×wZi c¶qvm

5,00,000.00 (cv¶ j ¶¶) UvKv ch¶-c¶° wj Z e¶tqi w`dgi g¶a` k¶wfwE¶K w`g Qvov Ab`vb` Kvt¶Ri t¶¶t¶ `ic¶ (tKvtUkb) Avn¶vb c×wZ tgvZvteK µqKvix¶K (I qwW¶ KvguU) c¶ZthwMZvgj K `ic¶¶i Rb` wj wLZfvte `ic¶ Avn¶vb Ki¶Z nte| j ¶¶ ivL¶Z nte, thb tewk msL`K m`æ `ic¶ cvlqv hvq Ges tmRb` I qwW¶KvguU Awak msL`K mieivnKvix/wKv`vti wBKU `ic¶ Avn¶vbc¶ Bmj ev tc¶Y Ki¶e|

- Kgc¶¶¶, 3wU M¶hYthvM` (timcwYf)`ic¶¶i Zj bvi gva`tg c¶B `¶ii h_v_Zv wbfcy Ki¶Z nte|
- `ic¶¶i Dvj wEz kZ¶ewj ciY ev m¶sh RbK c¶Zxqgvb ntj me¶bge`i`vZvtK Kv¶¶¶ k/mieivn Avt` k t` I qv hvte|
- G c×wZiZ gvj vgvj ev cZ¶RvR I qwW¶KvguU KZ¶ m`uv` b Kiv nte|

Gt¶¶t¶ I qwW¶KvguU¶K wbt¶Pi avcmgn Aek`B c¶Zcvj b Ki¶Z nte:

- t`úumwd¶Kkb ev gvb`E wbfcy Kti `ic¶ hvPvB¶tqi Rb` wefwbægvckwW ev gvb wba¶¶Y Kiv|
- G mKj gvcKwW c¶¶qt b j ¶¶ ivL¶Z nte, thb evRvti c¶¶wZ gvj vgvj ev cZ¶Rvt¶Ri Awak mieivnKvix G`i c¶ZthwMZvq AskM¶hY Ki¶Z cv¶i b|
- tKvtbv wbw`¶ e¶¶Ei gvj vgvj ¶KB Pwn`vKZ gvj vgv¶j i gvb`E ev t`úumwd¶Kkb wntmte wewPZ Kiv hvte bv, tKvtbv wKv`vti AwfÁZvtK j ¶¶ ti¶L AwfÁZvi gvcKwW at¶i `ic¶¶i gvb`E ev t`úumwd¶Kkb t`Lv¶bv hvte bv|
- `ic¶¶i mgn e¶j c¶¶vti j ¶¶¶ tKvtUkt¶bi Rb` Ab¶i vac¶ (Avi Gd¶KD) ev m`æe`i`vZvt`i wBKU tc¶Y Ki¶Z nte|
- BD¶bqb cwil¶i I qwW¶KvguU wbw¶Z Ki¶e th, ms¶kæ`i`vZv G Avi Gd¶KD tctqt¶Qb Ges Gi ti KW¶c¶¶Yw` BD¶bqb cwil¶i bw_¶Z msiw¶¶Z _vKte|
- µ¶tqi aib Abjv¶ti `ic¶ Rgv t` I qvi Rb` 1 t_¶K 2 mBv¶n mgq t` I qv nte|

gvj vgvj /`e`mvgM¶i Rb` `ic¶ weÁwBi (Avi Gd¶KD) bg¶bv
I qwW¶KvguU
(KvguUi wKv bv)

I qvtW¶ bs	BD¶bqb:
Dc¶Rj v:	t¶Rj v:

wb̄t̄ḡe³ gj̄vgvj / ẽ" mieiv̄t̄ni Rb" Dch̄³ w̄Kv̄bvq Aew̄Z Iqv̄W© KvḡWJ e"̄w̄³/mieiv̄nKvix/e"̄emv̄qxi w̄b̄KU t̄_̄t̄K w̄mj̄ t̄ḡv̄niKZ `ic̄Ā Av̄n̄Yvb̄ Kīt̄Q (mieiv̄t̄ni D̄t̄Ī k" I w̄Kv̄bv, thgb, iv̄w̄Kvj̄ fv̄Ūḡ feb̄ w̄bḡŲ BZ"̄w̄ ī bvḡ I ̄vb̄ w̄ t̄Z̄ n̄te, A_ev̄ hw̄ w̄bḡŲYi Rb"̄ bv̄ nq̄ Z̄te gj̄vgvj mieiv̄t̄ni Rb" Dch̄³ ̄v̄t̄bi bvḡ w̄ t̄Z̄ n̄te):

ẽ"̄mvḡM̄ī eȲŲv̄	GKK	GKK gj̄"	cwī gv̄Y	t̄gv̄U gj̄"
Av̄B̄t̄Uḡ-1				
Av̄B̄t̄Uḡ-2				
Av̄B̄t̄Uḡ-3				

kZ̄ēij

- w̄mj̄ t̄ḡv̄niKZ `ic̄Ā Aek̄B̄ w̄b̄t̄ḡe³ w̄Kv̄bvq Zwī L..... Nw̄Kv̄q Rgv̄ w̄ t̄Z̄ n̄te (GKw̄aK ̄v̄t̄b̄ n̄te bv̄) | `ic̄Ā GKB Rv̄qM̄v̄q Ges GKB Zwī t̄L Rbm̄ḡt̄Ų t̄Lvj̄vi n̄te | t̄Lvj̄vi mḡq `ī v̄Zv̄ ev̄ Zv̄t̄ ī c̄ŲZw̄bae; Dcw̄Z ̄v̄K̄t̄Z̄ cvī t̄eb̄ | `ī t̄c̄w̄bs̄ w̄k̄t̄U Zv̄iv̄ ̄ŲŲī Kīt̄eb̄;
- GKK I t̄gv̄U gj̄" (Āt̄¼ I K_v̄q) Uv̄Kv̄q D̄t̄j̄ ̄K̄īt̄Z̄ n̄te (c̄Ųqv̄Rb̄ t̄gv̄Zv̄t̄eK̄ cwī en̄Y e"̄qmn̄ ev̄ e"̄Z̄x̄Z);
- `ī v̄Zv̄t̄K Aek̄B̄ c̄Ųqv̄Rb̄x̄q ḡv̄bm̄ūb̄e Ges m̄ūȲc̄wī gv̄t̄Y gj̄vgvj / ẽ"̄mvḡM̄ī c̄Ųvē Kīt̄Z̄ n̄te | hw̄ GKw̄aK Av̄B̄t̄Uḡ ̄v̄t̄K, Zv̄n̄t̄j̄ m̄Kj̄ Av̄B̄t̄Uḡ m̄ūȲc̄wī gv̄t̄Y c̄Ųvē Kīt̄Z̄ n̄te |
- c̄ŲwēZ `ī Aek̄B̄ w̄L̄t̄j̄ ī t̄kl̄ w̄ b̄ t̄_̄t̄K w̄ b̄ ch̄S̄-en̄vj̄ ̄v̄K̄t̄Z̄ n̄te;
- mieiv̄n̄/Kv̄h̄Ų k̄ t̄c̄t̄j̄, mieiv̄n̄Kv̄īt̄K m̄ūȲc̄gj̄vgvj / ẽ"̄mvḡM̄ī Av̄t̄ ĩkī Zwī L t̄_̄t̄K..... w̄ t̄bī ḡt̄a"̄ mieiv̄n̄ Kīt̄Z̄ n̄te | c̄ŲKw̄ZK A_ev̄ w̄b̄R̄ w̄b̄q̄Ų̄ȳen̄f̄Z̄ Kv̄īY e"̄w̄Z̄īt̄K̄ w̄bāŲī Z̄ mḡq t̄_̄t̄K̄ mieiv̄n̄ wej̄ w̄Z̄ n̄t̄j̄ mieiv̄t̄nī mēŲkl̄ w̄ t̄bī cī t̄_̄t̄K̄ Am̄ieiv̄n̄KZ̄ gj̄vgvj / ẽ"̄mvḡM̄ī t̄gv̄U gj̄"̄ ī.....% n̄v̄tī Pw̄³ ī t̄gv̄U gj̄"̄ t̄_̄t̄K̄ KZ̄Ų̄ Kiv̄ n̄te;
- D̄x̄Z̄ ḡt̄j̄"̄ī Ges c̄ŲwēZ `ẽ"/gv̄j̄vgv̄t̄j̄ ī ḡvb̄ I cwī gv̄t̄Yī w̄f̄v̄Ēt̄Z̄ `ic̄Ā gj̄"̄v̄qb̄ Kiv̄ n̄te | `ẽ"/gv̄j̄vgv̄t̄j̄ ī ḡvb̄, cwī gv̄Y I Ab̄"̄vb̄"̄ kZ̄ēīY m̄v̄t̄c̄t̄Ų̄ mel̄Ųgē `ī v̄Zv̄t̄K̄ Kv̄h̄Ų k̄ t̄ I qv̄ n̄te;
- m̄t̄Ųw̄ Rb̄K̄f̄v̄t̄ē `ẽ"/gv̄j̄vgvj̄ mieiv̄n̄ m̄ūv̄ t̄bī cī Awej̄ t̄x̄^wej̄ cwī t̄kvā Kiv̄ n̄te | t̄Kv̄t̄bv̄ Aē"̄v̄t̄Z̄B̄ t̄Kv̄t̄bv̄ c̄Kvī Aw̄M̄Ų̄ c̄Ųvb̄ Kiv̄ n̄tē bv̄;
- Kv̄h̄Ų k̄ Rwīī mḡt̄q̄ KvḡWJ `ẽ"/gv̄j̄vgvj̄ mieiv̄t̄nī cwī gv̄Y 15% n̄vm̄ ev̄ ew̄x̄ Kīt̄Z̄ cvī t̄e |
- `ī v̄Zv̄ KZ̄Ų̄ Dc̄t̄ī ew̄Z̄ kZ̄ēij̄ ī m̄v̄t̄_̄ Am̄vḡĀm̄"̄ ev̄ w̄ēt̄iv̄ac̄Ȳ"̄ t̄Kv̄t̄bv̄ kZ̄Ų̄ Av̄t̄iv̄c̄ Kiv̄ n̄t̄j̄ D³ `ic̄Ā ew̄Z̄̄ ēt̄j̄ MY"̄ n̄t̄Z̄ cvī t̄ |
- `ẽ"/gv̄j̄vgvj̄ mieiv̄t̄nī t̄Ųt̄Ī̄ mieiv̄n̄ m̄ūb̄en̄l̄ qvī cī GK̄ ḡvm̄ Ges c̄Z̄Ų̄Kv̄t̄Rī t̄Ųt̄Ī̄ K̄v̄R̄ m̄ūb̄ēKivī cī `̄B̄ ḡvm̄ ch̄S̄-Pw̄³ ḡt̄j̄"̄ī 5% BD̄w̄b̄q̄b̄ cwī I `̄ KZ̄Ų̄

wi tUbbk wntmte ti tL t` l qv nte | G mgtqi gta` wbgfY KvR ev mieivnKZ
 `e`/gvj vgvfj tKvfbv t`wU cvl qv bv tMfj D³ A_@di Z t` l qv nte |

~vji
 AvnYvqK, I qvW@KvguU

Abvj wC weZiY:

1. BDwC Awdftmi tbnUk tewW[©]
2. DctRj v cwi l` Kgfc— Ges DctRj v ~v`r Kgfc i tbnUk tewW[©]
3. nvU-evRvi I Ab`vb` mi Kwii c@Z@vb
4. Rbve.....

wbgfYKvRi Rb` `icT weAwiBi (Avi GdiwKD) bgfv
 I qvW@KvguU
 (KvguUi wKvfv)

I qvW@ bs	BDwCqb:
DctRj v:	tRj v:

wbgewYZ iv`+ wbgfYi Rb` I vqvW@KvguU e`w³/mieivnKvi v/e`emvqxi wBKU t_tK
 wj tgvniKZ `icT AvnYvb Ki tQ (A_ev hw` iv`+e`ZxZ Ab` KvR nq Zte h_vh_
 weeiY Dfj t_Ki tZ nte):

KvRi eY@v	GKK (Nbwg.)	GKK gj`	c@Z AvBtUfgi Rb` cwi gvY	tgvU gj`

iv`+wbgfY (gvU/BU weQvfbv/ cvKv), hvi gvU i KvRi cwi gvY Wwb Kj vfg t` l qv AvtQ
 Ges AvBtUgl qvwi eY@v (t`úwmdtKk tbi Rb` wmwWDj t` Lp) |

kZfuj

1. KvR/wbgfYi cY@% t`úwmdtKkb I cwi gvY m@fj Z wmwWDj Dcti c@ È wKvfvq
 I qvW@KvguUi wBKU t_tK cvl qv hvte |
2. wj tgvniKZ `icT Aek`B wbtg³ wKvfvq Zwi L..... NwUKvq Rgv
 w`tZ nte (GKwaK ~vfb nte bv) | `icT GKB RvqMvq Ges GKB Zwi tL

- Rbmgf¶¶ tLvj v nte| tLvj vi mgq `i`vZv ev Zvt`i c0Zwbwae;` Dcw`Z `vKtZ cvi teb| `i l`cwbbs wk¶U Zviv `¶¶i Ki teb;
3. GKK l tgvU gj` (A¶¼ l K_vq) UvKvq D¶j ¶ Ki tZ nte (c0qvRb tgvZvteK cwi enY e`qmn ev e`ZxZ);
 4. `i`vZvtK Aek`B c0qvRbxq gvb m`ubae Ges m`uY`cwi gvtY KvR c0ve Ki tZ nte| hv` GKwaK AvB¶Ug `vtK, Zvntj mKj AvB¶Ug m`uY`cwi gvtY c0ve Ki tZ nte|
 5. c0weZ `i Aek`B `wL¶j i tkl w`b t_¶K w`b chS-enj `vKtZ nte;
 6. Kvh¶`k tctj, mieivnKvix¶K m`uY`KvR Kvh¶`tki ZwiL t_¶K..... w`b i gta` mieivn Ki tZ nte| c0KwZK A_ev wR wbsqSyemfZ KviY e`wZit¶K wba¶¶i Z mgq t_¶K KvR m`u`b wej wZ n¶j mieivni me¶kl w`b i ci t_¶K Am`u`w Z Kv¶Ri tgvU gj`i% nvti Pw`i tgvU gj` t_¶K KZ0 Kiv nte;
 7. D×Z gj`i Ges c0weZ Kv¶Ri gvb l cwi gvtYi wfvE¶Z `ic¶ gj`vqb Kiv nte| Kv¶Ri gvb, cwi gvtY l Ab`vb` kZ0¶Y mvtct¶¶ me¶oge`i `vZvtK Kvh¶`k t` lqv nte;
 8. wogewYZ m¶P Abhvq wej cwi tkva Kiv nte (m¶P mib¶enkZ Ki tZ nte)| tKv¶bv Ae`vtZB tKv¶bv c0Kvi AvM0 c0vb Kiv nte bv;
 9. Kvh¶`k Rwi i mg¶q KugwU Kv¶Ri mieivni cwi gvtY 15% nvm ev ew× Ki tZ cvi te|
 10. `i`vZv KZ¶ Dcti ewYZ kZ¶ewj i mvt_ AmvgAm` ev weti vacY`¶Kv¶bv kZ` Av¶ivc Kiv n¶j D³ `ic¶ ewZj etj MY` n¶Z cvi |
 11. `e`/gvj vgvj mieivni t¶¶¶ mieivn m`ubae¶l qvi ci GK gym Ges cZ`Kv¶Ri t¶¶¶ KvR m`ubaeKivi ci `B gym chS-Pw` gj`i 5% BDwqb cwi l` KZ¶ w¶Ubk wntmte ti¶L t` lqv nte| G mg¶qi gta` wbg¶¶ Kv¶R ev mieivnKZ `e`/gvj vgvj tKv¶bv ¶wU cvl qv bv t¶¶¶ D³ A_¶di Z t` lqv nte|

¶¶¶i, AvnevqK
l qvW`KugwU

Abj¶¶c weZiY :

1. BDwC Awd¶mi tbwUk tevW`
2. Dct¶Rj v cwi l` Kg¶c— Ges Dct¶Rj v `¶` Kg¶c— i tbwUk tevW`
3. nvU-evRvi l Ab`vb` mi Kwi c0Z0vb
4. Rbve.....

4.3.2.3.2 Avi GduKD c×wZtZ `ic¶ M0Y l tLvj v

- c0B `ic¶mgn Avi GduKD-tZ D¶j wZ ZwiL, `vb Ges mg¶q `i`vZvt`i Dcw`wZtZ l qvW`KugwU KZ¶ tLvj v nte|
- `ic¶ tLvj vi mg¶q `i`vZv ev Zvt`i c0Zwbwae Dcw`Z `vKtZ cvi teb| bgvv wntmte t` lqv `ic¶ tLvj vi weeiY ev Z_`ct¶ wbt`¶KZ Z_`mgn wj wce× Ki tZ nte Ges msuk0-KugwU i m`mMY KZ¶ ¶¶¶i Z n¶Z nte|

`icT tLvj vi QK (I tciabs wkU)

BDwbq#bi bvg:	Dc#Rj vi bvg:	tRj vi bvg:
AvB#U#gi eY#v:	c#wZ:	

- `icT AvnYvt#bi Zwi L Ges b#f:
- `icT `wL#j i tkl Zwi L I mgq:
- `icT tLvj vi Zwi L I mgq:

µwgK bs	`icT `wLj Kvi xi bvg	D#Z gj" (UvKvq)	g#e"

`icT `wLj Kvi xM#Yi `v#i

I qw#Kwguji m`m`i i `v#i

`icT tLvj vi Q#K `icT `vZv A_ev Zvt`i c#ZwbwMY hw` Dcw`Z `vtKb, Zte Zwi v
 `v#i Ki#eb| Avi GdwKD#Z Aek`B D#j #_vK#e th, GKw#K `vtb `icT `wLj
 M#Y#hvM` n#e bv|

4.3.2.3.3 Avi GdwKD c#wZ#Z `icT mg#ni gj`vqb

- `icT mg#ni tLvj vi ciciB I qw#Kwguji tKvt#vi #c w#j #`bv K#i c#B `icT mg#ni
 gj`vqb`i i` Ki#eb|
- gj`vq#bi t#t#t Kwguji `icT i kZ#w#j I gj`vqb c#wZ K#vi f#te Abyni Y
 Ki#e| c#hvR` t#t#t W#eD#w kZ#l wbgg#w#j c#Y mvtc#t#t m#l#g#e i`vZvtK
 Kvh#`k t`I qvi m#cwik Ki#e| I qw#Kwguji 75% m`m`i Dcw`#Z#Z MpxZ
 w#x#S`ea etj w#e#vPZ n#e| `icT gj`vq#bi t#t#t gj`vqb QK e`e#Z n#e|

`icT gj`vqb c#Z#e`b QK

BDwbq#bi bvg:	Dc#Rj vi bvg:	tRj vi bvg:
AvB#U#gi eY#v:		

- `icT AvnYvt#bi Zwi L I b#f:
- `icT tLvj vi Zwi L I mgq:

μ.bs	`icĪ `wLj Kvi xi bvg I wKv bv	D0Ē gj'' (UvKvq)	gj'' I qwi Ae`vbμg	wbaŋi Z †`úwmd†Kkb Ges cwi gvY	`wLj KZ †`úwmd†Kkb Ges cwi gvY	gj''vqb KigūJi gšē'' Ges w×vš- /mçwi k

I qW^qKigūJi m`m† i`ŋi I Zwi L

- mieivn Avt`k/Kvhŋ`k c0vb

wbtgē QK Abŋvqx I qW^qKigūJi Avnŋvq†Ki`ŋi Kvhŋ`k Rwi Kiv nte| Zte Avnŋvq†Ki Abçw`wZ†Z KigūJ KZŔ gtbvbxZ GKRb m`m Avnŋvq†Ki`wqZi cvj b Ki teb| Kvhŋ`†ki Abŋj wç w`g ZĒyearb KigūJi AvnevqK†K w†Z nte|

gvj vgvj mieiv†ni Kvhŋ`k c0v†bi bgbv
I qW^qKigūJ (KigūJi wKv bv)

I qW ^q bs	BDıbqb:
Dc†Rj v:	†Rj v:

c0Z

Rbve/tgmvm©.....

wKv bv:

welq : (`ē`mvgMŋi bvg) mieiv†ni Kvhŋ`k|

Avcbvi Zwi†Li`icĪ Abŋvqx Avcbv†K Avb†`i mv†_ Rvbw'Q th, I qW^q KigūJ wbgēQ†K eŋYŒ cwi gvY I g†j'' eŋYŒ `ē`/gvj vgvj mieiv†ni R†b` Avcbvi `wLj KZ`icĪ meŋbgē icĪ w†m†te MŋY K†i†Q|

`ē`mvgMŋi eYŋv I cwi gvY	GKK gj''	tgūJ gj''
tgūJ: (A†¼)		
K_vq:		

KvhRvj I kZ@ej :

1. G KvhR^k Rwi nI qvi..... w`tbi gta` AvcbvK Aek`B `e`/gvj vgtj i tgvU cwi gvY vbgewYZ `vfb Ges `wqZc0B e`w3 ev Zvi c0Zwbwai wBKU mieivn KitZ nte| (`vb I `wqZc0B e`w3 i bvg Dtj E-Ki`b)|
2. c0KwZK A_ev wBR wbgSYewfZ KviY e`wZtiK wbaRi Z mgq t_tK mieivn vej wZ ntj mieivni mefkl w`tbi ci t_tK AmieivnKZ gvj vgvj / `e`mvgMx tgvU gTj `i.....% nvti Pw3 i tgvU gj` t_tK KZ0 Kiv nte;
3. `ictIi weAvBi Abt`Q` ... Abmvti mieivnKZ `e`/gvj vgtj i cwi gvY % nvm/ewx Kiv ntqtQ (c0hvR` ntj)|
4. mtSv RbKfvte `e`/gvj vgvj mieivn m`ubentj Awej t`^vej cwi tKva Kiv nte, Zte tKvfbv AwM0 c^ vb Kiv nte bv|
5. (c0hvR` tTtI) Abt`Q` -1 Abmvti `e`/gvj vgvj mieivni wbaRi Z `vb chS- `e`/gvj vgvj cwienY G KvhR` tki AšfP, Ges cwienY e`q Dcti ewYZ KvhR` k-gTj` AšfP|
6. Abt`Q` -1 G wbaRi Z mieivni `vfb mieivnKvtj hw` tKvfbv `e`/gvj vgvj TvwZM0 -nq ev mieivn `vfb tKvfbv `e`/gvj vgvj e`envi -AthvM` cwij wTj nq, tmTtT Avcbw wBR e`tq Hifc `e`/gvj vgvj cp:mieivn KitZ eva` _vKteb|
7. `e`/gvj vgvj mieivni tTtI mieivn m`ubentI qvi ci GK gvm Ges cZKvRi tTtI KvR m`ubaeKivi ci `B gvm chS-Pw3 gTj `i 5% BDwbqb cwil` KZR wi tUbbk wntmte titL t`Iqv nte| G mgtqi gta` wbgPv KvR ev mieivnKZ `e`/gvj vgtj tKvfbv T`wU cvl qv bv tMtj D3 A_@di Z t`Iqv nte|

`Tj i
AvnYvqK, I qvW@KvgU

AeMwZ I c0qvRbxq e`e`v M0tYi Rb` Abvj wC:

1. tPqvi g`vb,BDwC
2. mwPe, BDwC
3. AvnYvqK, w`g ZEYeavb KvgU, M0g....., I qvW@bs..... BDwC.....

Wbgeŕ KvtRi Rb" KvHŕ`tki bgŕv
I qvW⁹KuŕuU (KuŕuUj wVKvbv)

I qvW ⁹ bs	BDŕbqb:
DctRj v:	tRj v:

cŕZ

Rbve/tgmvm⁹.....

wVKvbv:

welq : (KvtRi bvg) mieivŕni KvHŕ`k|

Avcbv Zwi tLi `icŕ Abŕvqx AvcbvK Avbŕ`i mvŕ_ Rvbw'Q th, I qvW⁹
KuŕuU wbgæQŕK ewŕZ cwi gvY I gŕj" KvR mæúv`ŕbi Rŕb" meŕbgeMŕYŕhM" `icŕ
wŕŕmŕe Avcbv `wLj KZ `icŕ MŕY Kŕi tQ|

KvtRi eYŕv I cwi gvY	GKK gj"	tgU gj"
tgU: (Aŕ¼)		
K_vq:		

Kvhŕvj I kZŕej :

1. Dcti ewŕZ QK Abŕvŕi G KvHŕ`k Rwi nI qvi Zwi L t_ŕK w`ŕbi gŕa"
AvcbvK KvR ŕkl KiŕZ nŕe Ges wbgæeYŕv Abŕvŕi `wqZcŕŕ e"ŕ³ ev Zvi
cŕZŕbŕai wKŒ mgvŕ KvR n`vŕŕ KiŕZ nŕe| (-vb I `wqZcŕŕ e"ŕ³ i bvg Dŕj
K"b)|
2. cŕKwZK A_ev wR wqŕŕewŕfŕZ Kvi Y e"vZŕiŕK wbaŕi Z mgq t_ŕK KvR mæúv`b
wej wŕZ nŕj KvR mæúv`enI qvi Rb" wbaŕi Z meŕkl w`ŕbi ci t_ŕK tgU
gŕj"i.....% nŕŕi Pŕ³ i tgU gj" t_ŕK KZŕ Kiv nŕe;
3. `icŕŕi weÁŕŕi Abŕ"Q` Abŕvŕi KvtRi cwi gvY % nwm/ewx Kiv nŕŕŕQ
(cŕhvR" nŕj)|
4. Zŕwŕj Abŕvŕi wej cwi ŕkva Kiv nŕe (GKwU Zŕwŕj mŕŕhwŕZ KiŕZ nŕe)|
5. tKvtbv Ae`vŕZB tKvtbv cŕKvi AwMŕ cŕvb Kiv nŕe bv|
6. `e"/gvj vgvj mieivŕni tŕŕŕŕ mieivn mæúv`enI qvi ci GK gvm Ges cZ⁹KvtRi
tŕŕŕŕ KvR mæúv`eKivi ci `ŕ gvm chŕ-Pŕ³gŕj"i 5% BDŕbqb cwi I` KZŕ
wiŕŕbkb wŕŕmŕe tiŕL ŕ`I qv nŕe| G mgŕŕi gŕa" wbgŕŕ KvtR ev mieivnKZ
`e"/gvj vgvŕj tKvtbv ŕ"u cvl qv bv tMŕj D³ A_ŕdi Z ŕ`I qv nŕe|

ŕŕŕi

AvnŕvqK, I qvW⁹KuŕuU

AeMwZ I cŕŕqRbxq e`v MŕŕYi Rb" Abŕj ŕc :

1. tPqvi g`vb,BDŕc
2. mŕPe, BDŕc
3. AvnŕvqK, w`g Zŕŕeavb KuŕuU, Mŕg....., I qvW⁹bs..... BDŕc.....

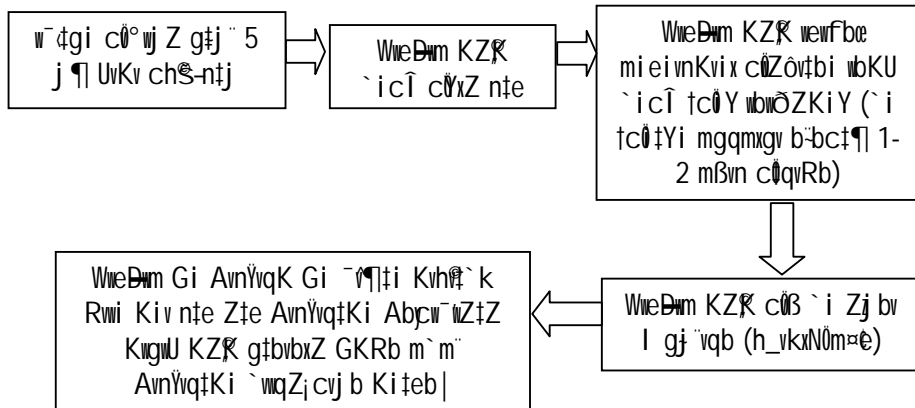
4.3.2.3.4. wej cwi tkvtai Zdimj

tUÜvi tbnUtki 4 bs AvBtUtgi kZ^ggvZvteK wbgewYZ fite gj^{''} cwi tkva Kiv nte:
(hv WweDm Ges Dbj^ß `icIi t[¶]t[¶] `icI gj^{''}vqb KugU KZR wba[¶] Z nte)

µg	AvBtUg	cwi tkvtai cwi gvY
K) KvR (KvRi weeiY ev AvbgwobK kZKiv nvi) m [¶] šwRbKfite tkl nl qvi ci	KvR m [¶] úbe Ges tm cwi gvY wej `vLj m [¶] tct [¶]
L) KvR (KvRi weeiY ev AvbgwobK kZKiv nvi) m [¶] šwRbKfite tkl nl qvi ci (Abjfc BZ ^w AvKv ⁱ kZ ^P t [¶] l qv thZ cv ⁱ)	
M)	w [¶] bwks KvRi ci GmGmm l ZrcieZ ^P Kv ^{tj} WweDm KZR c ^Z qb m [¶] tct [¶]	me [¶] gvU `vLj KZ wej i 100%

- w[¶]fbokvMrcI[¶] `vLj : w[¶]g ev[¶]evqb tk[¶]l l qvW^gKugU Avenk[¶]Kfite w[¶]g msuké-mKj KvMrcI[¶] (wej, fvDPi, tKvUkb, BZ^w) BD[¶]vqb cwi l[¶] mi[¶]Ptei w[¶]KU cK[¶]i bw[¶]tZ msi[¶]¶[¶]Yi Rb[¶] `vLj Ki[¶]teb|

4.3.2.3.5 Avi Gd[¶]KD µg c[¶]µqvi t[¶]dv[¶]PvU^g



4.3.3. Dbj^ß `icI c[¶]x[¶]Z

Gj w[¶]RGm[¶]c:2-Gi Avl Zvq ew[¶]z t[¶]vK eiv[¶] t[¶]¶K Q[¶]tK ew[¶]z Kv[¶]Ri c[¶]K[¶]Z l gj[¶]
mxgvi Avl Zvq µg c[¶]µqvi t[¶]¶t[¶] met[¶]Ptq K[¶]w[¶]¶[¶]Z c[¶]x[¶]Z ntj v Dbj^ß `icI c[¶]x[¶]Z | G
welq Ab[¶]mi[¶]¶[¶]Yi Rb[¶] mi Kwi µg w[¶]evagj vq ZvM[¶] t[¶] l qv ntq[¶]tQ | G c[¶]x[¶]Zi K[¶]tqK[¶]U
m[¶]dj i[¶]tq[¶]tQ :

- evR[¶]¶i msuké- gvj vgvj mieivnKvix/cZKv[¶]Ri w[¶]Kv[¶]vi mi[¶]v[¶]mi fite `i c[¶]Z[¶]thw[¶]MZvq AskM[¶]h[¶]Y Ki[¶]tZ cv[¶]teb;
- Gi dtj c[¶]Z[¶]thw[¶]MZvqj K g[¶]tj[¶] gvj vgvj /KvR cvl qv hvq Ges w[¶]dtgi A[¶]¶[¶]mvk[¶]t[¶] ntZ cv[¶]i;

- „YMZ gv̄tbi gv̄j vgv̄j /Kv̄R cv̄l qvi m̄t̄h̄v̄M m̄w̄o nq;
- `icĀ KvḡuLi m`m`MY weirfb̄etckv̄ I ms`v̄ t`f̄K w̄b̄t̄q̄w̄RZ nb weav̄q μqKv̄t̄R c̄ŋc̄w̄ZZ; Gov̄t̄bv̄ m̄e nq A_ŋ μqKv̄ix KZŔ t̄Kv̄t̄bv̄ mi ei v̄nKv̄i t̄K A t̄nZK ev Av̄bq̄w̄Z m̄t̄h̄v̄M t` I qvi m̄e t̄ebv̄ _v̄t̄K bv̄;
- G c̄ūμq̄v̄q BDw̄ci μqKv̄t̄R `f̄i `f̄i `^QZv̄ I Revew̄w̄nZv̄ w̄b̄w̄ōZ Kivi e`e`v̄ i t̄q̄t̄Q|

4.3.3.1. Db̄ŋŋ `icĀ c̄ūμq̄vi t̄ŋŋĀ w̄b̄t̄Pi w̄el q_ t̄j v̄ Av̄m̄i Y Ki t̄Z n̄t̄e:

Av̄t̄gv̄w̄ Z w̄`gmḡt̄ni gv̄j vgv̄j, w̄bḡŋ I c̄ZŔv̄t̄Ri c̄ō`w̄j Z gj` hw̄ 5,00,000.00 (cūP j ŋ) Uv̄Kvi D̄t̄aŋ`nq, Z̄t̄e t̄m̄t̄ŋŋĀ BDw̄bq̄b c̄w̄i l` KZŔ M̄w̄Z GKw̄U `icĀ gj`v̄q̄b KvḡuL̄t̄K Db̄ŋŋ `icĀ Av̄nŋv̄b c̄x̄w̄Z Av̄m̄i Y Ki t̄Z n̄t̄e|

Ḡt̄ŋŋĀ w̄bḡēfc GKw̄U gj`v̄q̄b KvḡuU M̄Vb Ki t̄Z n̄t̄e:

1	GKRb `v̄bxq MY`gv̄b` e`w̄³ thgb Kt̄j t̄Ri w̄k̄ŋK/`v̄bxq D`P w̄e`vj t̄qi c̄āvb w̄k̄ŋK t̄K Av̄nŋv̄qK Kiv t̄t̄Z cv̄t̄i Dch̄ŋ e`w̄³ bv̄ t̄c̄t̄j Dc̄t̄Rjv̄ w̄beŋx KgŔZŋ KZŔ ḡt̄bv̄bxZ GKRb mi Kwi KgŔZŋ	`icĀ gj`v̄q̄b KvḡuLi Av̄nŋv̄qK w̄n̄m̄v̄t̄e `w̄q̄Z; cv̄j b Ki t̄eb
2	Dc̄t̄Rjv̄ w̄beŋx Av̄dm̄vi KZŔ ḡt̄bv̄bxZ Dc̄t̄Rjv̄ ch̄ŋqi KgŔZŋ	KvḡuLi m`m`
3	BDw̄bq̄b c̄w̄i l` m̄w̄Pe	KvḡuLi m`m` m̄w̄Pe
4	BDw̄bq̄b w̄n̄m̄ve m̄nKv̄ix (hw̄ _v̄t̄K)	KvḡuLi m`m`
5	BDw̄c KZŔ ḡt̄bv̄bxZ GKRb BDw̄c ch̄ŋqi KgŔZŋ/KgPv̄ix	KvḡuLi m`m`

4.3.3.2. Db̄ŋŋ `icĀ c̄x̄w̄Zi t̄ŋŋĀ `icĀ c̄ŋvi ev c̄Kv̄t̄ki Rb` w̄b̄t̄P ev̄w̄Z c̄x̄w̄Zm̄gn Av̄m̄i Y Ki t̄Z n̄t̄e

- G c̄ūμq̄v̄q `icĀ Av̄nŋv̄b w̄eĀw̄B b`bZg GKw̄U `v̄bxq c̄w̄i K̄v̄q c̄Kv̄k w̄b̄w̄ōZ Ki t̄Z n̄t̄e;
- `icĀ w̄eĀw̄B: BDw̄bq̄b c̄w̄i l` i w̄n̄x̄v̄ŋt̄g BDw̄bq̄b c̄w̄i l` m̄w̄Pe `v̄bxq /Rv̄Zxq c̄w̄i K̄v̄, mi Kwi Av̄dm̄mḡt̄ni t̄b̄w̄Jk̄t̄ev̄w̄ēw̄YK m̄vḡw̄Zi Av̄dm̄, c̄Kv̄k` `v̄t̄b `w̄c̄Z w̄eĀcb̄t̄ev̄w̄BZ`w̄ t̄Z c̄Kv̄t̄ki ḡv̄a`tg `icĀ Av̄nŋv̄b Ki t̄Z n̄t̄e|
- w̄eirfb̄em̄i Kwi I ev̄w̄Yw̄R`K c̄ōZōvb̄ I c̄Kv̄k` `v̄t̄b e`vc̄K c̄ŋvi I c̄ōk̄ŋbi e`e`v̄ w̄b̄t̄Z n̄t̄e Ges m̄ē n̄t̄j B̄t̄j ±̄l̄b̄K w̄gv̄w̄v̄q̄q c̄Kv̄t̄ki e`e`v̄ Ki t̄Z n̄t̄e;
- `icĀ w̄eĀw̄Bi bḡj̄v̄ QK : `icĀ w̄eĀw̄Bi c̄t̄e` I qv̄ bḡj̄v̄ QK Av̄h̄v̄q̄x n̄t̄e;
- `icĀ `w̄l̄t̄j i mḡqm̄x̄v̄ BDw̄c KZŔ w̄b̄aŋi Z n̄t̄e, Z̄t̄e Zv̄ 14(tPŠI) w̄`t̄bi Kg n̄t̄e bv̄|

4.3.3.3. DbjP `icI `wj cOZ I PevŠKiY

- `icI `wj cOZ I PevŠKiYi Rb" BDwbqbw cwi I` GKwU BDwc cwi KÍbv KwguU MvB KiTe| D³ KwguU QK Abhvqx `icI `wj cOZ KiTe|

`icI AvnYvtbi OK (AvBGdWU)
 BDwbqbw cwi I` :.....
 DctRjv:.....
 tRjv:.....
 gvj vgvj /wbgP KvtRi `icI AvnYvb
 (gvj vgvj /wbgP KvtRi weeiY)

..... DctRjvaxb BDwbqbw cwi I` KZP
 MYcRvZŠx evsjvt`k miKvtii GjWRGmuc:2 cKtíi AvI Zvq gvj vgvj
 mieivn/wbgP KvtRi Rb" cKZ e'emvqv/`icI `vZvt`i woku wmj tgvniKZ `icI
 AvnYvb Kiv hvT"Q|

AvMhX `i`vZv/cOZôvb/e"³ KZP `icI `wj tji kZPewj tgvZvteK `icI `wLj
 KiTZ nte| `icI `wj wbgP i Kvi xi `Bi t`K msMh Kiv hvte|

`icI/cOZôvb/e"³ i tKvtbv ÁvZe" _vKtj Zviv wbgP i Kvi xi `Bti Zwi L
 chS-Awdm Pj vKvtj thvMvthvM KiTZ cvi teb|

`icI `wj tji kZP tgvZvteK cOxZ `icI Aek"B Zwi L NuUKvi
 gta" ev ZrcTe wbgP i Kvi xi `Bti `wLj KiTZ nte|

`Pqvi
 tPqvi g'vb
 BDwc.....

AeMwzi Rb" Abvj wc tcoY Kiv ntjv:

- 1.
- 2.
- 3.
- 4.
- 5.

tuUvi WKtgUui QK
(BDwbqb cwi l` i bvg)

..... KvRi Rb` `icT` wj j
Gj wRGmwc:2, MYcRvZSx evsj vt` k mi Kvi
tbwUK

..... BDwbqb cwi l` i Aaxb `vfb. KvRi (c0hvr` tqtT
gvj vgvj /` e`w` mieivn) Rb` Abjfc KvRi AwfAZvm=ubae(KvRi ai`bi wfvE`Z
Abjfc KvR/e`emv`qi tqtT AZxZ AwfAZvi weeiY D`j L` KitZ nte)
wKv`vi/e`emvqx/e`w`i w`bKU t`K wnj tgvni KZ `icT AvnYvb Kiv hv`Q|

kZGes wbgvewj

1. mshp wmwD`j KvR/gvj vgvj /` e`w` Ges KvRi `vb (Ges c0hvr` tqtT
gvj vgvj /` e`w` mieiv`ni `vb) eYbv Kiv ntqtQ|
2. Kvh`k cvl qvi w`bi gta` `i`vZv KZR KvR (ev gvj vgvj /` e`w`
mieivn) m=ubaeKiZ nte|
3. wbgv KvR (c0hvr` tqtT mieivn) m=uv`bi ci gj` cwi`kva Kiv nte|
4. `e`/gvj vgvj mieiv`ni tqtT mieivn m=ubaeI qvi ci GK gym Ges cZKvRi
tqtT KvR m=ubaeKivi ci `B gym chS-Pw`g`j`i 5% BDwbqb cwi l` KZR
wi`Ubbk wntmte ti`L t`lqv nte| G mg`qi gta` wbgv KvR ev mieivnKZ
`e`/gvj vgvj tKv`v T`w cvl qv bv tM`j D` A`di Z t`lqv nte|
5. t`umwcd`Kkb Abjvqx Ges wba`i Z mgqmxgvi gta` KvR ev `e`/gvj vgvj mieivn
ev m=uv`bmv`c`q melbg`j`wqZ `i`vZv`K Kvh`k t`lqv nte|
6. `i`vZv `icT`i wmwD`j (c0hvr` tqtT ditgu) h`v`f`v`te c`Y Kit`b Ges
A`gvPbxq Kwj w`q`i`i Kit`b| gj`wqZ `i`vZv`K Kvh`k t`lqv nte|
7. `wLj KZ `i`icT` wL`j i w`b t`K w`b chS-ej er`vK`e|
8. `icT Zwi`L NwUKvi gta` ev Zrc`e`bgw/Kv`vq` wLj KitZ
nte (GKwaK `vfb tLjv nte bv) | `icT D` `vfb I GKB Zwi`L
NwUKvq tLjv nte| tLjvi mgq `i`vZv ev Zv`i c0Zwbae` Dcw`Z`vK`Z
cvi`teb|
9. tKv`v `icT` `icT` wj`j i th tKv`v ev mKj kZ`c`Y bv Kitj Zv bb-
timcbwvf wntmte ewZj ntZ cvti |
10. KZ`q tKv`v KviY `k`bv e`wZi`K th tKv`v `icT M`Y ev ewZj Kivi
AwaKvi msi`qY Kti |

`q`i
tPqvi g`vb,
..... BDwbqb cwi l`

AeMwZ I c0qRbxq e'e~v M0tYi Rb" Abvj uc tc0Y Kiv ntj v:

- 1.
- 2.
- 3.

`ic1 KvtRi weeiY, KvtRi cwi gvY, `ic1 `vZv`i `i Dtj #`i Kj vg BZ`w` c0mwZK
 weI qw` AŠf` _vKte|

`ic1 `wj tj i wmwVDtj i bgbv
 BDwbqb cwi I` :.....
 DctRj v:.....
 tRj v:.....

KvtRi eY0v I Ae~vb	KvtRi GKK	KvtRi cwi gvY	GKK gj` (UvKv)	tgvU gj` (UvKv)	`i`vZv KZK c0weZ ev~evqtbi vba0i Z mgqmxgv	`i envj _vKvi c0weZ mgqmxgv
1	2	3	4	5(3x4)	6	7

~07i
 `i`vZv/e`emvqv/mi ei vnKvi x/e`w³

`ic1 `wj tj Dtj #`vKte th, `ic1 M0tYi mgqmxgv tkl nl qvi m½ m½ ev Zvi
 ciciB `ic1 mgn tLjv nte|

- Dbj³ `icĪ MōYKvĵ Ges `icĪ tLvĵ vi mgq wbtPi c×wZ AbjmiY KiĵZ nte
- `icĪ ewYZ mgqmP Abjvqx `icĪ MōYi Rb" BDwC mPe `wqZcōB _vKte |
 - `icĪ BDwC Kvĥĵ tqi GKwU gvĪ ṽvfb Rgv MōYi e"e"v wbtZ nte |
 - `icĪ cōvbKvixṽi ev cōvbKvixṽK D³ ṽvfb GKwU mjwĴZ evṽ. `icĪ Rgvi e"e"v wbtōZ KiĵZ nte |
 - GĵZ Avĵiv Dĵj ḗ_vKte th, `i`vZvMY ev Zvṽi cōZwbaMY `icĪ tLvĵ vi mgq Dcw"Z _vKĵZ cviṽeb Ges Zviv PvBĵj tUĒvi I ṽcūbs wktU ṽvĴi Kiṽeb |
 - tUŪvi I ṽcūbs wktUi Kwc webvgĵj " `i`vZvMYṽK t" I qv thĵZ cvṽi |

`icĪ tLvĵ vi bgjv Z_wkU
 BDwbqb cwi I` :.....
 DctRj v:..... tRj v:.....

KvĵRi weeiY:
 μqc×wZ:
 `icĪ / tKvĵUkb AvnYvṽbi Zwi L I b=ṽt:
 `icĪ / tKvĵUkb ṽwLĵj i meṽkl Zwi L:
 `icĪ tLvĵ vi Zwi L:.....

μwgK bs	`i`vZvi bvg I wKvbr	D×Z gj"	gše"
1			
2			
3			
4			
5			
6			
7			
8			
9			
10			

`icĪ gj"vqb KwguLi m`mṽi i ṽvĴi `i`vZvṽi i ṽvĴi

`icI `wj tj Avtiv D tj E_vKte th, GKvnaK `vfb `icI `vmlj MhYthvM` nte bv
BDwc c0qvRb tevta BDwbqb A_ev DctRjv chiqi msk6- KgRZf wBKU t_tK KwI Mwi mnvqZv MhY Ki te
`icI `wj j cvlqvi cici BDwc mwpE `icI i c0qvRbxq msL`K KwC Kti weAwB c0viki ci AvMhX `i `vZv`i gta weZiY/wepiqi e`v Ki te
BDwbqb cwI l` mwpE BDwbqb cwI t`i AvI Zvq mKj μqmsμvš c0qvRbxq KvMRcI l `wj vw` c0Z Ki te Ges BDwbqb cwI l` tPqivg`vb Zv `qI Ki te b
BDwc mwpE GZ`msk6-mKj tiKW©Ges `icI weμq t_tK c0B At_φ mgj q wmwve msi qIY Ki te

`icI gj`vqb c×vZ

- gj`vqb KugwI c0Z`K m`m` `icI `wj tj ewYz wbgvewj l `icI ewYz c0Zw gwckwW chqj vPbv Kti cixqIv wixqIv Ki te b|
- G mKj gwckwWi wecixZ `icI `vZvi thvM`Zv Ges cvkvcwk AthvM`Zvi (hv`_vfk) weiy wj wce× Ki tZ nte|
- cieZPmgta G mKj wela A_φ `i `vZvi bvg, `icI `wj tj ewYz Pwn`v ev gwckwW Ges cvkvcwk `icI ewYz gwckwWi wfwEz mKj `i `vZvi wecixZ GKw QK `Zvi Ki tZ nte|
- `icI gj`vqb KugwI wbañi Z mgta gta` gj`vqb KvR Ki te|
- KugwI Zvi gj`vqb c0Zte`b my`úofvte MhYthvM` l me0ge`i `vZvi bvg mpcwi k Ki te| hv` tKvfbv tqt` me0ge`i `vZvi bvg mpcwi k bv Kiv nq, tmqt` my`úo KviY D tj E Ki tZ nte| cieZP`i `vZv tkb MhYthvM` etj wetePZ nteb, Zvi thšw³K KviYI my`úofvte D tj E Ki tZ nte Ges c0qvRtb Gifc c0μqv μgvštq AbmiY Ki tZ nte| tKvfbv KviY tKvfbv m`m` mpcwi k c0μqvq th tKvfbv wela GKgZ bv ntj, tmqt` wZwb Zvi wfbgZ c0vb Ki te b|
- mekl GKw Pevš-gj`vqb cizte`b KugwI mKj m`tm`i `qI i ci `vmlj Ki te|
- thvM`Zvi Zj bvgj K weiy c0Z Kti c0qvRtb `vmlj KZ `wj vw` ev`te ev mi Rwgfb hvPvB Ki tZ nte|
- KwI Mwi gj`vqb KugwI mKtji HKgtZ`i wfwEz MhYthvM` ev AMhYthvM`Zvi e`vL`vnn `i `vZv`i GKw Zvwj Kv c0Z Ki tZ nte Ges `icI gj`vqb KugwI c0qvRbxq Z` wj wce× Ki te|
- Dbp` `i Avv`vbi hv` tKj GKRb `i `vZv AskMhY Kti Zvntj Zv gj`vq`bi Rb` wetePbv Kiv hvte Ges `i `vZv hv` MhYthvM` (timcwYf) GKRb gvI nb A_φ tUÉv`i mKj kZ`ciY Ktib Ges `i `vZv KZR c0weZ gj` c0`wj Z g`i gta`_vfk Zte tmB `i `vZvK gj`vqb KugwI thvM` `i `vZv wntmte mpcwi k Ki te|

`icĭ gj`vqb cĀZte`b OK
 BDĭbqb cwi l` :
 DctRj v:
 †Rj v:
 `icĭ gj`vqb cĀZte`b

	gj`vqb gvcKwV						`icĭ gj`vqb Kvguĭi mꝑwi k
	`i`vZvi †hwM`Zv (AZxZ AwFĀZv, Kg ^{ee} ei Yx, BZ`vr`) (MhY†hwM`/ MhY†hwM` bq)	mieiv†ni j††ĭ cĀweZ Kv†Ri/ gvj vgr†j i †`uwmcdiKkb (AbjmZ/ AbjmZ bq)	`ic†ĭi Ab`vb` kZ†eij (AbjmZ/ AbjmZ bq)	D×Z GKK gj`	D×Z gj`	mweK MhY†hwM`Zv	D×Z gj` Ab†vqx Ae`vb
	1	2	3	4	5	6	7
`icĭ - 1							
`icĭ - 2							
`icĭ - 3							
`icĭ - 4							
`icĭ - 5							
`icĭ - 6							
`icĭ - 7							

`icĭ gj`vqb Kvguĭi m`m†`i `††ĭi

`icĭ gj`vqb cĀZte`b Ab†gv`b

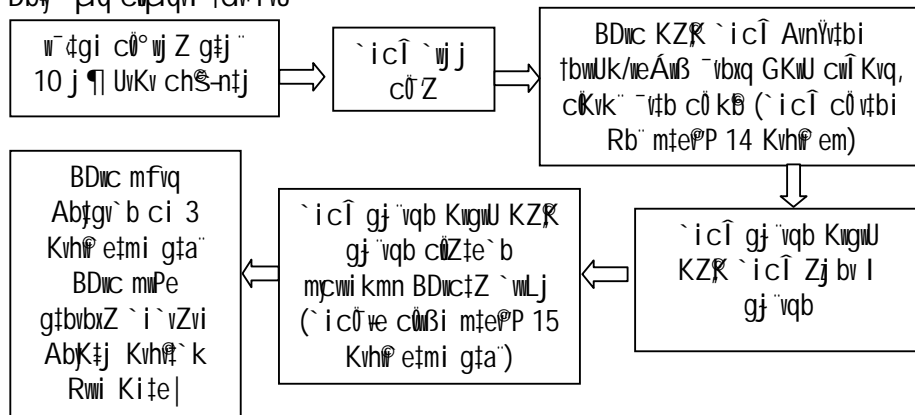
- BDĭbqb cwi l` `icĭ gj`vqb cĀZte`b ch††j vPbv Ki†Z cwi l†`i mfvq Dc`vcb Ki†eb|
- ch††j vPbvKv†j BDĭbqb cwi l` `icĭ gj`vqb Kvguĭi woku msiKē-wel†q th †Kv†bv e`vL`v Pvb†Z cvi†e ev th †Kv†bv wel†q e`vL`v cĀv†bi Rb` `icĭ gj`vqb Kvguĭ†K BDĭbqb cwi l†`i mfvq Dcwi`Z _vK†Z Ab†jiva Ki†Z cvi†e Ges mꝑwi k Ab†gv`b m††c††† Kvh†† k w†Z cvi†e A_ev cĀZte`†bi AvsikK A_ev m`úY†MhY A_ev eR† Ki†Z cvi†e|

Kvh†† k cĀvb Ges Pw³ `††ĭi

- BDĭbqb cwi l` KZ† Kvh†† k cĀv†bi mꝑwi k Ab†gv`†bi 3 Kvh†† e†mi g†a` BDĭc m†Pe g†bvbxZ `i`vZvi Ab†††j Kvh†† k Rwi Ki†e|

- gvj vgvj μtqi Rb` cteewYZ QK Abhvqx Kvhf`k Rwi KiZ nte Ges wbgP KvtRi Rb` QK Abhvqx Kvhf`k Rwi KiZ nte| Zte Dfq tPtt Qtk ewYZ I qvWqKuglUj wKvbi `tj BDuci wKvbi Ges AvnVqK WneDwm-Gi cwietZBDuc miPe KZR` tPtt Z nte|
- msiké-mKj KvMRctIi Kuc msiké-DctRjv wbePnx Awdmvi, BDwbqbw cwil` tPqvi g`vb, I qvWqgPti Ges w`g ZEYeavb KuglUj woku tclY KiZe|

DbP μq cμqvi tdr-PvU©



w`g ev`evqb KvhPug ZEYeavb

w`g ZEYeavb KuglU (GmGmm) Acvtikbj g`vbtqj ewYZ Kg@wi wa I`wqZj Avl Zvq w`dgi ev`evqb ZEYeavb KiZe| GtPtt mKj w`g ZEYeavb KvtR WneDwm GmGmmtK`b w`b wfvEtZ mnthwMzv w`te|

w`g ZEYeavb KuglUj`wqZj

- Abfgw`Z μqmsμvš-I ev`evqb cwil`Kíbvq wbt`KZ gvb, cwigvY, wbaPti Z mgTqi wfvEtZ w`g ev`evqb ZEYeavtbi j tPtt c0ZwbqZ gubUwi s Kiv;
- w`g ev`evqb μul wPnyZ ntj WneDwmK mstkvatbi DcvqmgR Rvbvbtv| WneDwm mstkvab bv Kitj BDwbqbw cwil` Ges BDwbqbw cwil` mstkvab bv Kitj wewRimw-tZ cvvvtbv;
- mpcwi kKZ GI qvWqGes wewwi t`iK Kvhf`k Ges Gi cIve m=utK©RbMYtK AemZ ivLv|

wKv`vit`i gva`tg ev`evqbvaxb w`dgi bRi`wii

wKv`vit`i gva`tg w`g ev`eqtbi tPtt GmGmm`vbxq bRi`wi tZ wvDZ KiZe| w`gmgTni Kvhf`k, Pp3cI Pevš-Ges Pevš-wRvBb I LiPi wnmvtei GKul Kuc msiké-GmGmmmgTni mi eivn KiZ nte|

- wKv`vit`i KvtRi`b w`b mZK©bRi`wii;
- th tKvbtv`vbxq D`wMtk DrmwnZ Kiv;

- tKvfbv mgn`v ev RvUj Zvi t`q`f msuké-WweDwm-i KvQ wi tcvU`Kiv;
- wKv`vi t` i cvl bv cZ`qb Kiv|

μq msvS`- wj j w` bw_c t` msi`Y

BDwbqbw cwi l` m`Pe BDwbqbw cwi l t` i μq cμqv-msuké-mKj KvMRc t` h_vh_fv t`
 bw_fj` Kti i`Yv t`Y I msi`Y i` wqZi cjb Kiteb Ges c`qvR t`b AwWU ev
 miKv t` i Pwin`v Abjv t`i Zv cieZ`cix`v-ubix`vi Rb` tck Kiteb|

ic` cμqvKv t`Yi mgqmxgv

μq c`wZ	w`gc t`Z, w`g Abjgv` b, ic` c`Z, Kv t`Ri eYbv	ic` t`cl Y ev weAwB cKv t`ki ci` ic` Rgv t` l qvi mgqmxgv	ic` t`Lj v l` ic` gj`vqb	Kvh` k c`vb l Pj`
mi vmi μq	ewl` μq, cwi K` bvi mgqmP Abjvq Kv t`Ri cwi wa ev gvb` E (t`ú m d t`K kb) uba`Y Kti` i hvPvB Kti evRvi t` t`K mi vmi μq			QK Abjvq
wi t`Kv t`q ÷ di t`Kv t`Ukb (Avi Gd`KD)	Kv t`Ri cwi wa ev gvb` E (t`ú m d t`K kb) uba`Y Kti ic` Avn`vb QK Abjvq ic` msuké-mie i v`Kvixi ubKU t`cl Y	1-2 mβvn	ic` B i ci we j` b`v Kti gj`vqb Kite	gj`vq t`bi 3 w` t`bi g`a`B WweDwm Gi Avn`vq t`Ki` t`Y t`i Kvh` k
Dbj` ic`	Kv t`Ri cwi wa ev gvb` E (t`ú m d t`K kb) uba`Y Kti ic` Avn`vb QK Abjvq ic` weAwB t`w` v`vix cwi Kvq c`Kv k, mi Kw i Aw d m m g`ni Aw d m t`v t`W` e w`YK m g`v Z i Aw d m l c`Kv k` t`v b c`P t`i e`e` v`v b t`Z n t`e	Kgc t` 14 w` b	m t`ev P 15 w` b	3 Kvh` e t`mi g`a` BDw c m`P t`e i t`Y t`i Kvh` k

Y i v l t`Z n t`e:

th tKvfbv μq cμqvq 45 w` b EtaY`mgq t`bl qv h`v t`e bv|

hw` μqKvixi c` w` j Z g` t` i m t`_ evRvi` t`i l Vbvqvq` ic` v`Kvixi ic` v` t`e i g` t` i Zvi Zg`
 A` v` f` w` e K` f` t`e Aw` K nq, Zv t` j μqKvixi w` l qv`w Acv` i k b j g` v` b t` q j i μq cμqv Abjvq w` m` x` S`-M` b Y
 Kite|

Dbj` ic` c`wZ	mβvn						
	1	2	3	4	5	6	7
ic` Rgv` v` t`bi mgqmxgv							
ic` gj`vqb							
Kvh` k							

Avi Gd`KD c`wZ	mβvn						
	1	2	3	4	5	6	7
ic` Rgv` v` t`bi mgqmxgv							
ic` gj`vqb							
Kvh` k							

μq cμq ev evqtb Ki Yxq I weteP mel qmgn

- Dbyß `icĀ AvnYtb mieivn I wbgP KvtRi Rb` tUĒvi wmwDġi i thšw³K gj` BDmc wbaŋY Ki te|
- `e`/gvj vgvj mieivni tġġġ mieivn m³ub³l qvi ci 1 (GK) gym Ges KvtRi tġġġ KvtR m³ub³Kivi ci 2 (β) gym ch³-P³gġġ`i 5% BDwbq b cwi I` KZ³ wi tUbbk wntmte ti tL t` I qv nte|
- G mgtqi gta` wbgP KvtR ev mieivn KZ `e`/gvj vgvj tKvtb v Ĩ wU cvl qv bv tMġ D³ A³ġdi Z t` I qv hte|
- mieivn Kvi x ev wKv` vti i Kvht³ k tgvZvteK Kvht³úv` tb e`³ntġ BDmc Ges WweDm ³^³tġġġ wi tUbbk ev Rvgvbt Zi A³evtRqv³ Kivi w³xvš³wtZ cvi te|

4.4. μq m³úwK³ wi tcvU³cġKv, AwfthvM w³úwĒ, Ĩ wUcY³μq wbi xġv

4.4.1. μq I w³g ev evq b m³pvš³cġZte` b

Gj wRGmici Avl Zvq MpxZ wewfbaw` ġgi μq I ev evqtb i AM³wZ I mgm³v m³pvš³cġZte` b BDmc KZ³ Ĩ ġwmK wfwĒtZ ms³úw³DcġRj v wbeŋx Awdmv³i i w³KU tġġY Ki te| ms³úw³BDGI Zvi Aaxb` mKj BDmci cġZte` b GKxfZ I msKw³Z Kti` vbxq mi Kvi wewfv³Mi w³KU tġġY Ki te| BDmc w³ġgi bvg, w³ġgi tgvU LiP Ges ev`e I Aw³Ē AM³wZ, ms³úw³ I qvWfng³ni b³ġ BZ`w` Z³ġi I ci wfwĒ Kti cġZte` b` Zwi Ki te| G mKj Z³ġi wfwĒtZ` vbxq mi Kvi wewfv³M c³q³Rbxq Z` vi wK I ġġ`vq b Ki te|

BDwbq b cwi I t` i Ĩ ġwmK μq cġZte` b QK

DcġRj v.....tRj v.....

Ĩ ġwmK (.....t³ġK.....ch³)

μqK bs	w ³ ġgi bvg	I qvW ³ bs	ev evqtb i Ae`v				gše`
			μġqi cġvi	tgvU LiP	ev`e AM ³ wZ(%)	Aw ³ Ē AM ³ wZ (UvKvq)	

Ĩ ġġi
BDmc tPqvi g`vb

Dc#Rj v cwi l#`i ^TgwmK mq c#Zte`b OK

Dc#Rj v.....tRj v.....
 ^TgwmK (...t_K.....chS)

mqK bs	w`dgi bvg	l qWbs	ev`evq#bi Ae`v				gše`
			mqi cKvi	tgW LiP	ev`e AMWZ(%)	Aw_R AMWZ (UvKvq)	

~i
 Dc#Rj v wbe#x Awdmvi

mq m#u#KZ Z`w` Rbmg#i cKvk

mq c#mqvq `^QZv, Review`wZv w#wZKi#Yi j#i` Ges Dbq# KgR#E RbMY#K
 cZ`i Ges c#i#i#f#e AskM#Yi Rb` Gj wRGm#c:2-Gi Avl Zvq M#xZ mqm#u#KZ
 Z`w` RbMY#K AewZ Ki#Z nte| G c#mqvq w#gewYZ c#WZ Ab#iY Kiv th#Z
 cv#i |

- BD#bq# cwi l` `u# AvK#i l mnR fvlvq w#w`# A_#Q#i mKj cK#i i w`w#i Z
 Z#`i mvimst#i# thgb, w`gmg#ni bvg D#i`k` At`P cwi gvY, Kx c#WZ#Z
 mqc#mqvq m#ub#e BZ`w` Rbe#j `v#b (thgb, mi Kw#i Awdm, Av`vj Z, evRvi,
 evm#vU, tij l#q w#gvi/j ANW, KwgD#wW tm#Uvi Ges cK#i GjvKv) c#vi
 Ki#e|
- BD#bq# cwi l` c#i#Y w#j #ev#W# GKB Z` cKvk Ki#Z nte|
- w#w`# tK#v#v w`g tK#v#v w#w`# GjvKvq ev`ewqZ n#j tm`#j w`g ev`evq#
 KwgW cK#i GjvKvq ev`ewqZe` cK#i i K#v#i w#eiY, c#`w#j Z e`q, mgw#i
 Zwi L, wKv`vi c#Z#v#bi bvg/wKv#v#mn w`w#i Z Z`w` GKW
 t#w#K#ev#W#w#j #ev#W# gva`tg cKvk Ki#e|
- GKB mv#_ w`g ev`evq# KwgW i m`m`#`i bvg #ev#W#w#j w#e#x Ki#Z nte|
- Db#` `i c# Avn#v#b th# c#i K#vq cK#w#Z nq tm`w#l#q j`i` ivL#Z nte Ges Gi
 Kw# BD#bq# cwi l#` msi #iY Ki#Z nte|

4.4.2. μqm=úwKZ AwfthvM l wb®úwÉKiY

- Gj wRGmic:2-Gi Avl Zvq w-g ev-evqb Reven wnZv wbdZKiYi j tññ thtKvfbv e-w³ ev ms-v μqm=úwKZ th tKvfbv AwfthvM `wLj Ki tZ cvi te|
- Gj wRGmic:2-Gi Avl Zvq l qvW® KugwJi Kvhewj m=útk® w-g ZÉyeavb KugwJ/BDwbqb cwi l t i wbKU AwfthvM Kiv hvte|
- GOrvvl BDwbqb cwi l t i wei t x tKvfbv AwfthvM t_vK eivl mgšq KugwJ/Dc tRj v wbeñx Awdmv t i i wbKU `wLj Kiv hvte|
- weÁvcb-tevW®ev RbMtYi cðekwaKvi AvtQ Ges RbmgvMg nq Ggb Dbv³ vbmgtñ, RbMY Kvi Kv tQ AwfthvM `wLj Ki te, tm wettq Z_ wj wce x _vK te|

4.4.3. tññvf cKvk

- BDwbqb cwi l t i vbxq bvMwi K ev th tKvfbv e-w³ tKvfbv μqcðμqv ev w-g ev-evq tbi mv t_ msuké-wel t q c f vegy³ n t q wj wLZfvte Zvi AwfthvM ev msñjãZv msuké-BDwbqb cwi l ` KZ tññi wbKU `wLj Ki tZ cvi te b|
- BDwbqb cwi l ` G mKj AwfthvM weñRimwm-Gi wbKU t cðY Ki te b|

4.4.4. AwfthvM cðμqvi BDwv Ges weñRimwm-Gi `wqZj

- w-g ev-evqb KugwJi wei t x Awfthv tMi tñññ BDwbqb cwi l ` AwfthvMw BDwbqb cwi l t i w b q w g Z / w e t k l m f v q w b ® ú w É K i v i e e - v M h Y K i t e |
- BDwbqb cwi l ` w b a ñ i Z Q t K l q w W ® K u g w J i w e i t x c ð B A w f t h v M m g n m = ú t k ® t _ v K e i v l m g š q K u g w J i w b K U g w m K c ð Z t e ` b t c ð Y K i t e |
- l q v W ® K u g w J i / B D w b q b c w i l t i w e i t x c ð B t K v f b v A w f t h v M t _ v K e i v l m g š q K u g w J Z v t i w b q w g Z / w e t k l m f v q D c - v c b K i t e |
- w-g ZÉyeavb KugwJ/BDwbqb cwi l t i wei t x tKvfbv AwfthvM cvlqv tMtj BDwbqb cwi l ` Gi f c mKj AwfthvM t_vK eivl mgšq KugwJi wbKU t cðY Ki tZ eva _vK te|

Awfthv tMi cixññv-wbixññvi ci hw` cðZxqgvb nq th Awfthv tMi mvieÉv itqtQ, tmtñññ t_vK eivl mgšq KugwJ cðqvR t b l q v W ® K u g w J i / w - g Z É y e a v b K u g w J i / B D w b q b c w i l t i w e i t x e v t h t K v f b v m s u k é - e - w ³ i w e i t x A v b p w b K f v t e Z ` š - K i v i R b ` G K u J K u g w J M V b K t i K v h e r g c w i P v j b v K i t e | Z t e j ñ i v L t Z n t e , h v t Z Z ` š - K v h μ g w b a v ñ i Z m g q m x g v i g t a m = ú b a K i v h v q |

t_vK eivl mgšq KugwJ tKvfbv Awfthv tMi tñññ BDwbqb cwi l ` KZ tññ m=úw Z Z ` t š i h _ v _ Z v w b i f c t Y i D t i t k ` N U b v - D É i h v P v B m = ú v ` b K i t Z c v i t e |

Z ` t š - A w f t h v M c ð Z w ó Z n t j w e ñ R i m w m c ð q v R b x q e e - v M h t Y i R b ` Z ` š - c ð Z t e ` b m y c w i i k m n h _ v h _ K Z t ñ ñ i w b K U t c ð Y K i t Z c v i t e |

Awb[®]úbaAwfthvMmgñi tñtî t_vK eivî mgšq KvgwU cñwj Z AvBtbi Avl Zvq e'e`v MñtYi Rb` I B AwfthvMmgn `vbxq mi Kvi wefvM tçlY Ki te|

AwfthvM cixñv-wbixñv I Z`š-cwi Pvj bvi tñtî wevRwmw mteP mZZv, vbiçñZv I tMvcbxqZv eRvq ivLteb|

4.4.5. µq cñµqvi wbixñv

Gj wRGmnc:2-Gi Avl Zvq MpxZ mKj µq I Pñ³ e'e`vcbv Kvhpñg `vbxq mi Kvi wefvM KZñ wbcwgZfvte wbixñZv nte| `šiy ivLv cñqvRb th, G wbixñv Kvhpñg wbixñK ev `vbxq mi Kvi wefvM i`wqZcñB cñZwba KZñ wbixñv I hvPvB cñZte`tbi wfvE`Z tKvñv weifc gše` cñZwZ ntj ewaZ t_vK eivî t`tK D³ BDwbqb cwi I` ewAZ nte|

Gtñtî Dñj E Kiv thZ cvti th, `vbxq mi Kvi wefvM Zvi cñZwba ev cingkr wbtqvMi gva`tg Gj wRGmnc-Gi Avl Zvq t_vK eivî ðviv BDwbqb cwi I` KZñ m`úw`Z mKj KvR/Pñ³i Kgctñ kZKiv çtbi (15) fivM KvR/Pñ³i, Ges GKB m`½ m`úw`Z mKj KvR/Pñ³i tgvU gj`vqñtbi kZKiv nek (20) fivM cwi gvY KvñRi µtqvEi AwWU (chñj vPbv) Ki te| G AwWU (chñj vPbv) cwi j wñZ mKj chññY wekñ`vstKi mvt_ Avtj wPZ nte Ges µqçlµqvi Dbqñtbi j tñ` cñqvRbxq e'e`v MpxZ nte| G µtqvEi AwWU (chñj vPbv) cñµqvq Ab`vb` weltqi gta` KvR/Pñ³ m`úv`tbi `vbmgn cwi`kñ I KvR t`tK Pevš-Dtñk` ARñbi gvñv chññY BZ`w` Ašfñ`_vKte|

4.4.6. wekñ`vsK KZñ µtqvEi AwWU (chñj vPbv)

cñqvRtñ wekñ`vsK BDwbqb cwi I` KZñ Gj wRGmnc:2-Gi t_vK eivtñi Avl Zvq m`úw`Z Pñ³ Abymñti Kgctñ kZKiv nek fivMi tñtî tñqvEi AwWU m`úbaKi te| wekñ`vstKi G tñqvEi AwWU chñj vPbv cñµqvq Ab`vb` weltqi gta` KvR/Pñ³ m`úv`tbi `vbmgn cwi`kñ I KvR t`tK Pevš-Dtñk` ARñbi gvñv chññY BZ`w` Ašfñ`_vKte|

Î`wUcYµq

Gj wRGmnc:2-Gi ewaZ t_vK eivtñi Avl Zvq MpxZ w`gmgñi µqçlµqv I ev`evqbKvñj Abtgv`Z µq cñµqvi e`Z`q cwi j wñZ ntj wekñ`vstKi MvBWj vBb Abñvqx e'e`v tñl qv nte|

4.4.7. ~~μqmswké-wel t̄q~~ Ki Yxq I w̄b̄t̄l avÁv

~~μqmswké-wel f̄b̄ac̄l̄q~~Rbxq wel q Ges w̄b̄t̄l avÁv

μqgK bs	eva`Zvgj K wel qmgn	mPK	wbqgf%KiY	w̄b̄t̄l avÁv
1.	BDw̄c̄t̄Z Kḡf̄g Rbej _vKv	wewaex c×wZ Abjni YceR̄ MwVZ nI qv	wewaex c×wZ Abjw̄t̄i Ww̄c̄D̄m Ges GmGmm MwVZ bv nI qv	t_vK eivl̄ cvl qv hv̄te bv
2.	“ibxq Revei” w̄nZv w̄b̄w̄ZKi t̄Yi Rb” c̄l̄qRbxq Z_” mieiv̄t̄ni bw̄Z we`ḡvb _vKv	w̄mw̄ve w̄b̄ix̄f̄lv ms̄μvS-Z_” Rbmḡt̄f̄l̄ c̄K̄v̄t̄ki bw̄Z Abjni Y	Kv̄t̄Ri m̄f̄h̄w̄M Kv̄h̄f̄`k c̄l̄vb Ges t̄h̄w̄KZv ms̄μvS-Z_” mieiv̄n bv Kiv	Zvr̄f̄l̄w̄Kf̄v̄te μq ms̄μvS-Kv̄h̄f̄eij Ges t_vK eivl̄ “w̄MZ Kiv
3.	BDw̄c̄ ch̄f̄q μq̄c̄l̄μq̄ ev̄-erq̄t̄bi t̄f̄l̄t̄i bw̄ZMZ eva`evaKZv t̄ḡt̄b Pj v	w̄mw̄ve w̄b̄ix̄f̄lv ms̄μvS-c̄l̄Zte`b	μq̄ c̄l̄μq̄q̄ μq̄ c×wZ, `i`vZv̄t̄`i gj`vq̄b Ges Kv̄h̄f̄`k c̄l̄vb ms̄μvS- bw̄Zvgj v j`Nb	Zvr̄f̄l̄w̄Kf̄v̄te μq ms̄μvS-Kv̄h̄f̄eij Ges t_vK eivl̄ “w̄MZ Kiv

Gj w̄RGm̄w̄c̄:2-Gi Avl Zvq BDw̄c̄i Rb” eva`Zvgj K mḡqm̄P

μg	wel q	w̄b̄āf̄i Z t̄ḡvU Kv̄h̄f̄ em
1	BDw̄c̄ KZ̄R̄ w̄`ḡmḡt̄ni Ab̄f̄ḡv`b	35
2	`ic̄l̄ Av̄n̄v̄t̄bi ci`ic̄l̄ Rḡv`vb	
	(K) Av̄i Gd̄w̄KD t̄f̄l̄t̄i	1-2 m̄B̄v̄n
	(L) Db̄f̄p̄ `ic̄l̄t̄i t̄f̄l̄t̄i	14 Kv̄h̄f̄ em
3	c̄l̄b̄ t̄Kv̄t̄Ukb/`ic̄l̄ gj`vq̄b	
	(K)Av̄i Gd̄w̄KD-Gi t̄f̄l̄t̄i	h_vm̄=ε kx̄N̄0
	(L) Db̄f̄p̄ `ic̄l̄t̄i t̄f̄l̄t̄i	15 Kv̄h̄f̄ em
4	Kv̄h̄f̄`k/mieiv̄n Av̄t̄`k c̄l̄vb Kiv Av̄i Gd̄w̄KD Ges Db̄f̄p̄ A_̄f̄ Df̄q`ic̄l̄t̄i t̄f̄l̄t̄i	Ab̄f̄ḡv` b̄m̄v̄t̄c̄l̄t̄i 3 Kv̄h̄f̄ ēt̄mi ḡt̄a`

Gj w̄RGm̄w̄c̄i Avl Zvq μq ms̄μvS-wel t̄q w̄`d̄gi A_`c̄w̄i t̄k̄v̄t̄ai w̄ec̄i x̄t̄Z AvqKi I
f̄vU KZ̄B̄ w̄eei Yx

BDw̄b̄q̄b c̄w̄i l̄t̄i μt̄qi t̄f̄l̄t̄i f̄vU I Ab`w̄ea K̄t̄i i wel t̄q ms̄wké-wē`ḡvb AvBb
c̄l̄h̄v̄R” n̄te Ges BDw̄b̄q̄b ch̄f̄q μq̄m̄ḡvi ḡt̄a` eZ̄ḡvb c̄l̄h̄v̄R” AvqKi I f̄vU ms̄μvS-
KZ̄f̄bi n̄vi mieiv̄nKv̄ix/ w̄Kv̄`vi t̄K A_`c̄w̄i t̄k̄vaKv̄t̄j w̄b̄w̄Z Ki t̄Z n̄te|

w̄Kv̄`vix A_ev gj̄vḡvj mieiv̄t̄ni t̄f̄l̄t̄i Dr̄t̄m Ki KZ̄B̄ AvqKi Aa`v̄t̄`k 1984-Gi
aviv 52 Ges AvqKi w̄ew̄aḡj v 1984-Gi w̄ewa-16 t̄Z ew̄ȲZ w̄eavb Ab̄h̄v̄q̄x w̄Kv̄`vix
Kv̄h̄f̄`k m̄x̄v̄`b A_ev gj̄vḡvj mieiv̄t̄ni Rb” t̄Kv̄t̄bv e`w̄³ ev ms̄`v̄t̄K c̄w̄i t̄k̄vaKv̄t̄j

msmké-nej i tgvU A¼ nþZ cwi þkvaKvj xb mgþqi Rb" wbaW Z nvti AvqKi KZB Ki þZ nte|

GKB A_©Qþi nej cwi þkvtai `wqþZ; wbtqwmRZ e"³ Drþm Ki KZþbi `wqZ; cvj b Ki þeb| AvsmkK cwi þkva ev AwMþj cwi þkvtai `wqþZ; wbtqwmRZ e"³þK Drþm Ki KZB Ki þZ nte| GKwU A_©Qþi cwi þkvaZe" tgvU Aþ¼i wfwEþZ Ki I f"vU KZþbi nvi wbaW Z nte| wbtþP wclqW Zwj Kv AvKvti þ`Lvþv nþj v (Zþe RvZxq i vR" ^teW© KZR Rwi KZ eQi wfwEK AvqKi I f"vUi nvi cþhvR" nte):

AvqKi KZþbi Zwj Kv

cwi þkvtai cwi gvY	KZþbi nvi
2 j ¶ UvKv chS nej ev cvl bv cwi þkvtai Rb"	0
2 j ¶ 1 UvKv nþZ 5 j ¶ UvKv chS-nej ev cvl bv cwi þkvtai Rb"	1%
5 j ¶ 1 UvKv nþZ 15 j ¶ UvKv chS-nej ev cvl bv cwi þkvtai Rb"	2.5%

f"vU KZþbi Zwj Kv

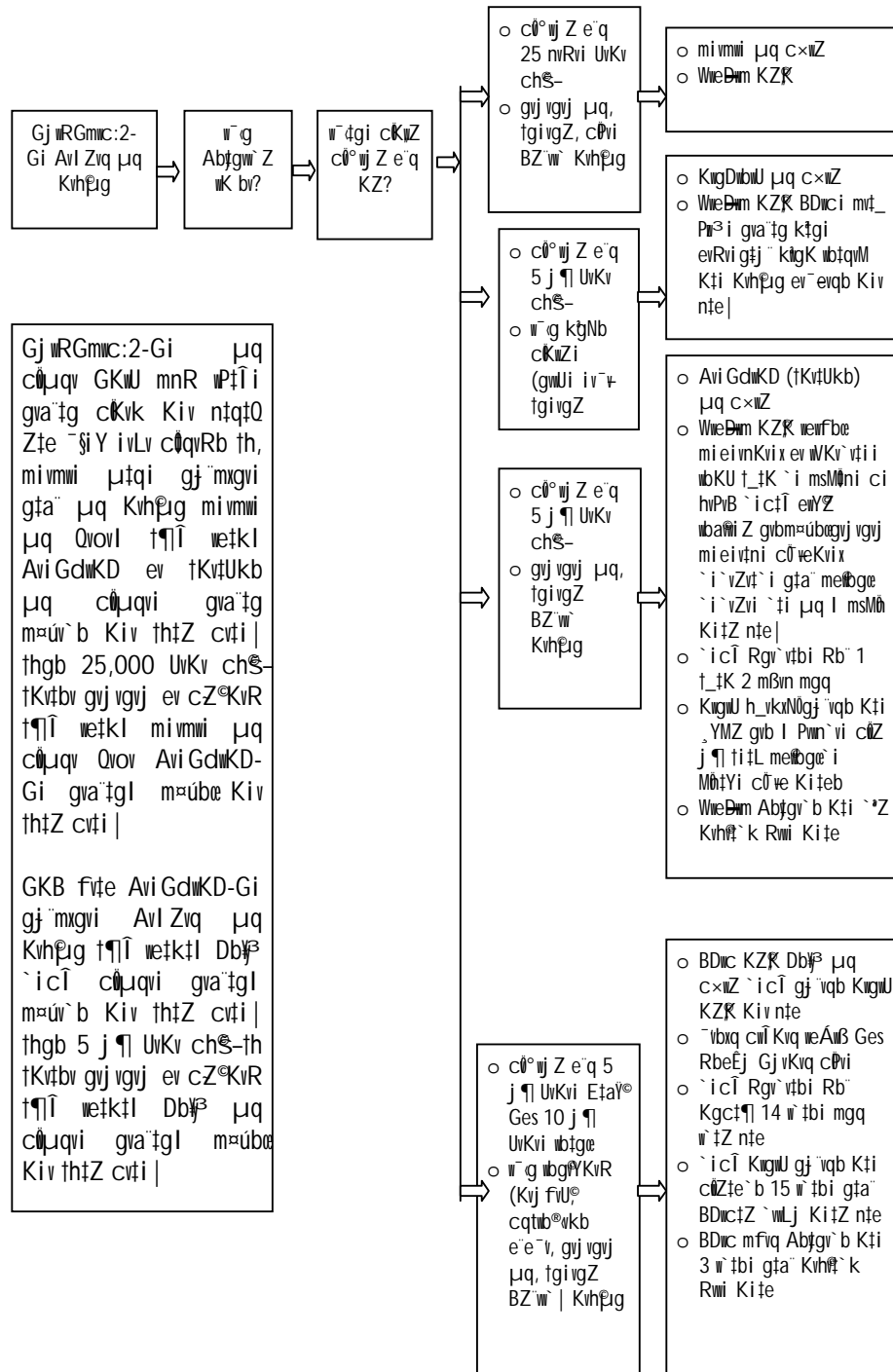
cwi þkvtai cwi gvY	KZþbi nvi
th þKvþbv wbgþY KvþRi Rb" `i cþÁ Dþj wEZ gþj"i	5.5%
gvj vgvj mi eivþni Rb" `i cþÁ Dþj wEZ gþj"i	4.00%

eZgþtb Kþi i Avl Zvgþ³ µqmgþ:

- mi vmi µq 25,000 UvKv chS,
- KvgDwbW µq 5,00,000 UvKv chS,
- Ab"vb" þ¶þÁ 2,00,000 UvKv chS-th þKvþbv µq,

Zþe kZ©_vtK th, KvgDwbW µq (`wbK wfwEþZ mi vmi kþgK cvl bv cwi þkva weavq) e"ZxZ mkj A_©cwi þkvtai þ¶þÁ Zwj Kv Abjvþti f"vU KZB Ki þZ nte|

Gj mRGmic-2- Gi Avl Zvq w'g ev' eqtb GKbRti mq c'p'v



5. Z` cKvk

5.1 wmuUfRb PvUfi cKvk

vbxq miKvi (BDwbqbw cwil`) AvBb 2009-Gi PZi R Aa`vtq Z`c0Bi Avakvi m`u`K`eavb t`l qv AvfQ| BDwbqbw cwil` tK Zv h_vh_fvte cvj b l Abymiy KitZ nte| D³ AvBb Abymv`ti, RbMYtK BDwbqbw cwil` thmKj tmev c0vb Kite Zvi we`wii Z weeiY, we`gvb ev c0vbthvM` tmevmg`ni kZ`Ges Gme tmev jvtfi Rb` wK cwigvY mgq`iKvi, Zv BDwbqbw cwil` Rbmvavi`Yi AvZv`cKvk Kite| Gaitbi cKvkZ weeiYtK ejv nq wmuUfRb PvUfi |

BDwbqbw cwil`i wmuUfRb PvUfi cKvk m`u`K`mi Kvi GKwU wbt` wKv l weva cYq`tbi cwiki bv KitQb| hvi gta`_vKte:

1. mKj tmevi we`wii Z weeiY
2. tmevmg`ni Rb` c0`q A`
3. tmev cvl qvi kZ`Ges cZ`wkZ tmev t`tK c0B myeaw`
4. tmev c0v`tbi Rb` wba`i Z mgqmxgv
5. tmevmg`n m`u`K`bvMwi Kt`i `wqZj
6. tmev c0v`tbi wbdqZv
7. tmev c0vb m`u`K`v`tqi KZ Awf`thvM w`u`wE
8. wmuUfRb PvUfi ewYZ c0Zk0Z f1/2 Kivi cwiywZ BZ`w` |

BDwbqbw cwil` vbxq Pwv`v Ges ev`eZvi wbi`l Zv`i wmuUfRb PvUfi nvj bvMv` KitZ cvi`te, cwieZ0 l m`c0hviY KitZ cvi`te| BDwbqbw cwil`i wmuUfRb PvUfi cwieZ0 Kti Zv ev`evq`tbi cte`mi Kvti i m`1/2 Avtj vPbv KitZ nte|

5.2. mKvmt`bi Rb` AvaybK c0y³ i e`envi

c0Z`K BDwbqbw cwil` mKvmb c0Z0v l Dbq`tbi j`t`l BDwbqbw cwil` AvaybK c0y³ i e`envi Kite etj cZ`vkv Kiv nq| miKvi Gt`t`l Awv`R, Kwii Mwi l Ab`vb` Avbj w`K mnvqZv c0vb KitZ cvti| Dbz Z` c0y³ e`envi Kti BDwbqbw cwil` Zv`i tmev c0vb m`u`K`RbMYtK Aewnz KitZ cvti Ges wmuUfRb PvUfi thmKj tmevi K_v ejv ntq`Q tm`_tjv mn miKvi RbMYtK th tmev c0vb KitQb Zv RbMYtK Aewnz KitZ cvti| me`nnavi`Yi Rb` Z` Dbj³ Kiv Ges Zt`i c0v`n Dbz l MwZkj Kivi Awf`boc`_`Zwi i j`t`l mKj BDwbqtb BDwbqbw Z` l tmev tK`^a BDAvBGmw`m c0Z0v Kiv nq| eZ`g`tb BDAvBGmw`mZ 29 aitbi miKwi Ges 29 aitbi temiKwi tmev jvtfi m`thvM itq`Q| tmev`_tjv nt`Q:

miKwi : bvMwi K mb`, Rb` wbeU`b, gZi wbeU`b, miKwi dig WwDbtj wW, Rvigi cPfi Avte`b, mKj cKvi bvMwi K Avte`b, Rxeb exgv, tUwj tgmWwmb, we`jr wej cwitkva, cvej K wekte`vj t`q fivZ, Abj vBtb wekte`vj t`q fivZ, Abj vBtb cvmtcvfU` Avte`b,

wfmv t fwi wcltKkb I U^wvkS, Abj vBtb WwBwfs j vBtmYi Avte`b I bevqb, Abj vBtb miKwii eE μtqi Avte`b c0mm, Abj vBb miKwii tU0vtii Avte`b, wkqK-KgPvixi Abj vBb Aemi fvZvi Avte`b, tgevBtj DctRjv ^v^ Kgtct-i ^v^ civgk, tgevBtj KwI civgk, AvBwb mnvqZv, Z_`tmev-AvBb, KwI BZ`w, B-cpR, ÷`v^u wewμ (wWm Awcltmi t fEvi j vBtmY), miKwii cAvcb I weAwB WwDbtj wW, cwmb cixqIv, gwU cixqIv (GmAvi wWAvB), BDwC tPqvi g`vbt`i Pwin`v Abjvqx wewfbæmi Kwii WKtgu cYqb, miKwii wewfbæcPvi Yv Kvtr j wRw÷ K mvtcvU^q

temiKwii tmev : Kw^uDUvi c0kqIY, One tZjv, B-tgBj, BvUvi tBU etDwRs, PvKwii weAwB t`Lv I Abj vBtb Avte`b, wflAvBwci gva`tg wef`tk tUwj tcvb, ^vBwci gva`tg wfwl Kbdvti wYs, mvgwRK Abjvbtbi wfwl ti KwWw/GwWwUs, Kt^uvR/wc0U -`wj tj Lv, tgevBj e`vswKs, weUk KvDwYtj i Bsti wR wkqIv, mwwfmi K`v^ui gva`tg KwI civgk, mwwfmi K`v^ui gva`tg ^v^ civgk, mwwfmi K`v^ui gva`tg AvBwb civgk, IRb I D`PZv cwigvc, Avb tmev (KwI-c0KwUK`vj G`vKkb), Avb tmev (grm-c0KwUK`vj G`vKkb), Avb tmev (tcjw^e c0KwUK`vj G`vKkb), tmvj vi wmt÷g g`vbtRtgu (BWKj), ^vcb, dtUvKwC, tj wgtbkb, tgevBj tcvb Kj, tgevBtj UvKv tj wW, tgevBj tgivgZ, tgevBtj i wmg wewμ, gw^ewgWqv c0R±i tLjv I gwrf c0k0, tbej vBRvi fvov| BDAvBGmwi ^wqZj wbowZ Kivi Rb` Zv miKwii I e`w³ Df`v^uMi mgstq cwi Pwj Z Kivi mpcwi k Kiv nq| BDwqb cwi l`i DwPZ nte Gi Kgtct-BDAvBGmwi Rb` c0qvRbxq RvqMv eivl` ivLv| BDAvBGmwi cwi Pj bvi Rb` c0qvRbxq e`q wbe^uni Rb` temiKwii Df`v³v^ui GwMtq Avmv DwPZ| ^vbxq Rbmvari tYi webvgtj` A_ev ^fgtj` BDAvBGmwi t`tk tmev cvl qvi Awakvi _vKv c0qvRb| hZqIY tKvbtv temiKwii Df`v³v cvl qv bv hvq ZZqIY BDwqb cwi l` Zvi evtRU Ges BDAvBGmwi Avq t`tk GKRB bviX I GKRB cj`I AcvtiUi wbtqwrZ ivLvi wel qwU wbowZ Ki te| G t`tk c0B ivR`^BDAvBGmwi i qIYvteqIY I Dbq^ubi Rb` e`euZ nte| BDwqb cwi l` m^utk^uhZ Z_`w` AvtQ mewKQz BDAvBGmwtZ Kw^uDUvti Avctj wW Kiv c0qvRb nte|

5.3. Dbq^ub Kvhp^ug m^utk^u Z_`w`

BDwqb cwi l` MpxZ mKj Dbq^ub Kvhp^ug m^utk^uvbxq Rbmvari YtK AvewZ Ki te| BDwqb cwi l`i Dbq^ub Kvhp^ugti wel t^u tbnUK tevW^u, wej tevW^u, Z_`tevW^u, BZ`w` i gva`tg Rbmvari tYi Rb` Z_` c0KvK Ki tZ cwti | w`dgi tbnUK tevW^u w`g Gj vKvi wej tevW^u I Z_`tevW^u I qvW^uA_ev BDwq^ubi gta` th ^v^ub e`vcK tj vK mgvMg nq tmLv^u ^vcb Kiv th tZ cwti | Gme tevW^uersj vq Ges cwbtZ g^uQ hvte bv Ggb Kwij tZ `wM0n` AvKvti tj Lv ntZ nte|

tbwUk teftW[®] bgjv vbtP t` I qv ntj v

..... cR±
w`g Z_` teW [®]
w`tgi bvg:
Ae`vb:
bgjv (`N [®] , cR', D"PZv, gwUj KvtRi cwi gvY BZ`w`)
e`q:
w`g/cR± ev`evqb KwguUj m`m` A_ev wKv`vfi i bvg
1
2
3
w`g ZEpavb KwguUj m`m` A_ev wKv`vfi i bvg
1
2
3
..... BDvbqb cwi I` I qvW [®]

6. RbI gZi vbeÜb Ges Ab`vb` tmev

BDvbqb cwi I t` i `wqZjnt`Q `vbxq chftq wKQztmev vbtR cÜvb Kiv Ges wKQztmev cÜvbKiv x KZEt`i KvtRi mgšq mvab Kiv| BDvbqb cwi I` vbqvgZfvte thmKj tmev cÜvb Kti `vfk tm`tj v ntj v:

1. RbI Ges gZi vbeÜb;
2. wePwi K Kvhfug;
3. mvgwRK Ges cwi tek Dbqb I msi`Y;

6.1.1. RbI gZi vbeÜb cÜp`qv

RbI gZi vbeÜb AvBb 2004 Abjvnti RvWZ, ag[®], eY[®]Mvöx, wj ½ vbeftkI vbeÜK mKj e`w³i RbI gZi vbeÜb eBtq vbeÜb Kiteb| GLvfb vbeÜK ej tZ BDvbqb cwi I t` i t`ft` BDvbqb cwi I t` i tPqv g`vb ev mi Kvi KZR` fvgZvcÜB tKvfv KgRZ[®] ev m`m`|

vbeÜtKi `wqZjnt`Q :

- K. mKj e`w³i RbI gZi vbeÜb vbwÖZ Kiv|
- L. vbeÜtbi Rb` cÜqvRbxq Z_` mSMö, Ges dig,tiwR`ti I mb` Qvcvfv ev mSMö Kiv|
- M. vbeÜb mspvš-bw_cT ev vbeÜK ein msi`Y Kiv|
- N. RbI gZi mb` mieivn Kiv|
- O. weva Öviv vbañi Z Ab` tKvfv `wqZjcvj b|

†Kv†bv eˆw³i wbeÜb Kivi Rbˆ cÖB Z†_i mZˆZv hvPvB†qi cÖqvRb ntj wZwb w†R
 A_ev Abˆ Kv†iv Øviv Zˆš-Ki†Z cvi†eb| wbwˆØ mgtqi g†aˆ Kvi I Rb† I gZi
 wbeÜb Kiv bv ntj H eˆw³i wczv gvZv ev c† ev AwffveK†K H eˆw³i Rb† ev gZi
 mˆú†K©Z_ cÖv†bi Rbˆ tbwUK w†Z cvi†eb| wki i wczv gvZv ev AwffveK wki i
 R†b†i 45 w†bi g†aˆ Rb† mˆú†K©Z_ wbeÜ†Ki woku cÖvb Ki†Z evaˆ | †Zgwb
 †Kv†bv eˆw³i gZi 30 w†bi g†aˆ H eˆw³i c†, Kbˆv ev AwffveK†K H eˆw³i gZi
 mˆú†K©Z_ wbeÜ†Ki woku cÖvb Kiv evaˆ Zvgj K| Rb† wbeÜ†bi c†eˆwki i bvg
 wba††Y Ki†Z n†e| Z†e G mgtqi g†aˆ bvg wba††Y Kiv bv †M†j cieZ† 45 w†bi
 g†aˆ wbeÜ†Ki woku bvg mi eivn Ki†Z n†e|

6.1.2. Rb† I gZi wbeÜ†bi „i“Zi
 wbgew†Z Kvi†Y Rb† wbeÜb mbˆ L†B „i“Z†Y©

1. RvZ†qZv Ges bvMwi K mbˆ wbwÖZ Kiv|
2. eqm cÖv†Yi Ab†K†j mv††|
3. wki weevn ti va Kiv|
4. wki k†g eÜ Kiv|
5. wki wK†kvi†_i cÖZ m†ePvi wbwÖZ Kiv|
6. h_vh_ˆ_ˆ_ tmev wbwÖZ Kiv|
7. c†KZ RbmsLˆv wba††Y|
8. eq†mi wg_ˆv †Nvi Yv eÜ Kiv|
9. wki i Db††b RvZ†q cwi Kí bv wbwÖZ Kiv|
10. wki i AwaKvi wbwÖZ Kiv|
11. RvZ†q Db††b cwi Kí bv cÖ†Z mrvqZv Kiv|

†Kv†bv eˆw³i Rb† I gZi e†vš-mˆú†K©Z †Kv†bv mgmˆv †ˆ Lv w†j Rb† I gZi mbˆ
 mv†† w†m†e eˆeüZ n†e|

wbgew†Z K†qKw† †††† Rb† mbˆ eˆenvi Ki†Z n†e:

- K. cvm†cvU†Bmj;
- L. weevn wbeÜb;
- M. wK††v cÖZö††b f†Z©
- N. mi Kwii , temi Kwii ev ˆ†q†KwmZ cÖZö††b w††qvMˆvb;
- O. W†Bw†s j vB†m†Y Bmj;
- P. †fvUvi Zw†j Kv c††qb;
- Q. R††g ti wR††††b|

wbgew†Z Kvi†Y gZi wbeÜb AZˆš_ „i“Z†Y©

1. D†i waKvi xi g†aˆ R††gi g†w†j Kv†bi w†fvRb;
2. RbmsLˆv w†el qK cwi msLˆvb nvj bvMvˆ Kiv;
3. D†i waKvi xi AwaKvi cÖv†Y Kiv|

6.1.3. Rb̄ I gZi m̄úwKZ Z_ c̄0 vt̄bi Rb̄ `wqZkxj ēw̄³eM̄

- 1) w̄baew̄YZ ēw̄³MY t̄Kv̄t̄bv ēw̄³i Rb̄ ev gZi w̄beÚt̄bi Rb̄ w̄beÚt̄Ki w̄bKU Z_ t̄c̄0 Y Kwi t̄Z cwi t̄eb, h_v:
- K. BDw̄bqb cwi l̄ t̄ i m̄`m̄, Ges m̄iPe;
- L. M̄0g c̄yj k;
- M. w̄m̄w̄ Kt̄c̄0i kb ev t̄c̄Si m̄fvi Kugkbvi ;
- N. BDw̄bqb cwi l̄, t̄c̄Si m̄fvi, w̄m̄w̄ Kt̄c̄0i kb A_ev K̄v̄Ubt̄gU Gj v̄Kvq w̄bt̄qwiRZ t̄v̄`K̄ḡI cwi evi K̄j v̄YK̄ḡ,
- O. t̄v̄` I cwi evi K̄j v̄Y t̄K̄t̄ v̄bt̄qwiRZ temi Kw̄i c̄0Z̄0vt̄bi (Gbw̄RI) gv̄WK̄ḡ,
- P. t̄Kv̄t̄bv mi Kw̄i ev temi Kw̄i n̄m̄cv̄Z̄j ev w̄K̄wb̄K ev gv̄Z̄m̄`b ev Ab̄ t̄Kv̄t̄bv c̄0Z̄0vt̄b Rb̄M̄h̄Y I gZ̄ieit̄Yi t̄v̄t̄t̄ Gi `wqZ̄c̄0B̄ t̄ḡw̄WK̄v̄j Aw̄dm̄vi A_ev W̄v̄³vi ev v̄lgZ̄vc̄0B̄ t̄Kv̄t̄bv K̄ḡR̄Z̄,
- Q. t̄Kv̄t̄bv t̄M̄vi t̄wb ev k̄k̄vb N̄vt̄Ui Z̄Ēyeav̄qK;
- R. w̄beÚK KZ̄R̄ w̄bt̄qwiRZ Ab̄ t̄Kv̄t̄bv K̄ḡR̄Z̄ ev K̄ḡP̄vi x;
- S. t̄Rj Lv̄bvq Rb̄ I gZ̄i t̄v̄t̄t̄ t̄Rj m̄c̄vi ev t̄Rj vi ev ZrKZ̄R̄ v̄lgZ̄vc̄0B̄ ēw̄³;
- T. cwi Z̄`³ w̄ki ev m̄v̄vi Y t̄vt̄b (Public Place) c̄t̄o v̄Kv̄ cwi P̄q̄nx̄b gZ ēw̄³i t̄v̄t̄t̄ m̄s̄k̄ē_v̄bvi f̄vi c̄0B̄ K̄ḡR̄Z̄, Ges
- U. w̄baew̄i Z Ab̄ t̄Kv̄t̄bv ēw̄³ ev c̄0Z̄0vt̄b |

2) t̄Kv̄t̄bv ēw̄³i Rb̄ I gZi m̄s̄p̄v̄S-Z_ D̄c̄t̄i D̄ij w̄e-Z ēw̄³i w̄bKU miēiv̄n̄ Ki t̄j w̄Z̄wb̄ w̄bt̄R Zv̄ w̄beÚt̄bi c̄0q̄v̄R̄bx̄q ēē`v̄ M̄h̄Y Ki t̄eb A_ev Z_ c̄0 v̄bK̄v̄ix ēw̄³ t̄K w̄beÚt̄bi c̄iv̄gk̄m̄n̄ c̄0q̄v̄R̄bx̄q m̄nv̄qZ̄v̄ c̄0 v̄b Ki t̄eb |

6.1.4. ti w̄R̄t̄÷kb c̄0μ̄qv Ges mb` c̄0 v̄b

Rb̄ Ges gZi w̄beÚt̄bi t̄v̄t̄t̄ c̄0Z̄`K ēw̄³i Rb̄ Av̄j v̄`v̄ dig ē`env̄i Kiv̄ n̄q | G dig AZ̄`S̄-m̄ZK̄Z̄vi m̄vt̄_ Ges m̄w̄K̄f̄v̄t̄e c̄iY Ki t̄Z̄ n̄t̄e | ti w̄R̄t̄÷kb di t̄g c̄0 Ē Z_ Ab̄j̄v̄t̄i ti w̄R̄t̄÷kb̄i w̄j̄ w̄c̄ēx̄ Kiv̄ n̄t̄e | Z_ c̄0 v̄bK̄v̄ix̄t̄K di t̄g t̄v̄t̄i c̄0 v̄b Ki t̄Z̄ n̄t̄e | t̄Kv̄t̄bv t̄v̄t̄t̄ t̄Kv̄t̄bv m̄t̄`n̄ t̄`Lv̄ w̄`t̄j w̄beÚK c̄0B̄ Z̄t̄`i m̄Z̄`Z̄v̄ hv̄P̄v̄B̄ K̄t̄i t̄b̄t̄eb | eZ̄ḡv̄t̄b Ab̄ j̄ v̄B̄t̄b Rb̄ w̄beÚb̄ Kiv̄p̄rḡl̄ P̄j̄ ynt̄q̄t̄0 |

Rb̄ Ges gZi mb` h_vh_f̄v̄t̄e c̄0Z̄ I t̄v̄t̄i K̄t̄i Zv̄ miēiv̄n̄ Ki t̄Z̄ n̄t̄e | BDw̄bqb cwi l̄ t̄ mb`c̄Ā w̄eZ̄iY m̄úwKZ̄ ti w̄R̄t̄÷kb̄i Ges mb`c̄Āi Ab̄j̄j̄ w̄c̄ m̄sīv̄Ȳ Ki t̄Z̄ n̄t̄e |

6.1.5. Rv̄Z̄x̄qZ̄v Ges P̄wi w̄Ā K mb` c̄Ā

t̄`t̄k ev w̄ēt̄`t̄k P̄v̄K̄wi c̄0_0, c̄v̄m̄t̄c̄v̄Ūm̄s̄M̄h̄ Ges ē`vs̄K t̄`t̄K F̄ȲM̄h̄t̄Yi Rb̄ Rv̄Z̄x̄qZ̄v mb`c̄Ā I P̄wi w̄Ā K mb`c̄Āi c̄t̄q̄v̄R̄b̄ n̄q | BDw̄bqb cwi l̄ t̄ i Ab̄`Z̄ḡ_ i`Z̄c̄ȲK̄v̄R̄ n̄t̄`Q Ḡ ai t̄bi mb`c̄Ā c̄0 v̄b Kiv̄ | ḠUv̄ AZ̄`S̄-m̄ZK̄Z̄vi m̄vt̄_ m̄úv̄`b̄ Kiv̄ D̄w̄P̄Z̄, hv̄t̄Z̄ K̄t̄i Ḡ mb`c̄Ā Acē`env̄i b̄v̄ n̄q Ges R̄vj̄ m̄w̄Ūc̄t̄K̄U B̄m̄j̄ b̄v̄ n̄q | Ḡ m̄K̄j̄ m̄w̄Ūc̄t̄K̄U c̄0 vt̄bi m̄ḡq `v̄B̄wi K̄ w̄bq̄q Ab̄j̄ mi Ȳ Kiv̄ Avek̄`K̄ |

côZwU mwU@ct#KU BDwbqb cwil` Awdm t_#K cõvb Ki#Z nte| hv#K mwU@ct#KU t`lqv nte Zvi bvg, w#Kvbn Ges mwU@ct#KU Mõ#Yi KviY I ZwiL D#j #K#i GKwU tiwR÷#i msi #Y Ki#Z nte, côZwU mwU@ct#K#Ui Abvj wc mv#Y` wmwte msi #Y Ki#Z nte|

BDwbqb cwil` KZR cõE mb`c# gvbn m#ubent#Z nte Ges Gi Rb` b#bZg wd MõY Kiv th#Z cr#i | BDwbqb cwil#`i Db#P ev#RU mfvq welqwu Av#j vPbv K#i wmxv#S-MõY Kiv th#Z cr#i | BDwbqb cwil#`i ev#R#U GZ`ms#v#S-Avtqi cõZdj b_vK#Z nte|

6.2. AvBb I wePvwi K #mev

BDwbqb cwil#`i Ab`Zg ,i"ZcY` wqZi n#`Q Mõg Av`vj Z Kv#Ki fvte cwipvj bv Kiv| Mõg Av`vj Z AvBb 2006 Abym#i, côZwU BDwbqtb Mõg Av`vj Z cwipvj Z nte| Mõg Av`vj Z cwipvj bv m#ú#K#msv#Y#B vbt`#Kv vbt#gt`lqv n#jv|

6.2.1. Mõg Av`vj #Zi D#i`k`

1. Kg mgtq, A# Li#P `vbxqfvte tQvU tQvU we#iva `*Z w#ú#E Kiv;
2. `wi`#; AbMõni, bviX, m#eavw#Z I Sp#KcY`Rb#Mvõxi Rb` mvgw#RK wbi#v#E#v I wePvi cõ#Bi m#hvM wlvõZ Kiv;
3. we`gvb c#Ymg#ni cvi`ú#i K mgtSvZvi gra`tg we#iva w#ú#E Kiv;
4. we#iva w#ú#E#i ci we#ivaxq c#Ymg#ni g#`# tms#v`cY#mve`vb m#ó;
5. `vq#fvte we#iva wbi#mb;
6. D`P Av`vj #Z gvgj vi Pvc Kgv#bv I
7. mvgw#RK b`v#`Zv I m#k#mb m#ó|

Mõg Av`vj Z KZR wePvi #hvM` gvgj v

- (1) tdSR`wii Kv#Ewa Ges t`lqwb Kv#Ewa#Z hv w#KQB_vKK bv tKb Mõg Av`vj Z AvB#bi Zdw#t#j i cõ_g A#¼ ev#Z welqvej m#ú#K#Z tdSR`wii gvgj v Ges wõZxq A#¼ ev#Z welqvej m#ú#K#Z t`lqwb gvgj v, w#f#e#iKg weavb bv_vK#j, Mõg Av`vj Z KZR wePvi #hvM` nte Ges tKv#bv tdSR`wii ev t`lqwb Av`vj #Zi Abj#f#tKv#bv gvgj v ev tgvKv#i gvi weP#i i GLwZqvi_vK#e bv|
- (2) Mõg Av`vj Z KZR Zdw#t#j i cõ_g A#¼ ev#Z tKv#bv Aciv#tai mv#_ tKv#bv gvgj v wePv#n#e bv hv`D³ gvgj vq Avgj #hvM` tKv#bv Aciv#tai `v#q tKv#bv e`w³ t`v#x mve`-n#q B#Zvc#e#Mõg Av`vj Z KZR `E cõB n#q_v#Kb, hv`-
 K) D³ gvgj vq tKv#bv bvej #Ki `#_Rw#Z_v#K;
 L) weev#`i c#YM#Yi g#`# m#ú#w`Z tKv#bv Pw³#Z mwj #ki ev we#iva w#ú#E#i weavb_v#K;
 M) miKvi ev `vbxq KZ#Y ev KZ#` cvj biZ tKv#bv miKwii KgPvix D³ weev#`i tKv#bv c#Ynq|

(3) th `vei m`u`Ei `Lj AcP`Yi Rb` M`g Av`vj Z KZ`R Av`k c`0 vb Kiv ntqt0, H
`vei m`u`EiZ `Z; c`0Z`ovi Rb` ev Gi `Lj cpi "x`v`i i Rb` tKv`bv tgvKv`I gv ev
Kvh`h`vivi t`q`i`I (1)-Gi weavbewj c`0`h`vR` nte bv|

6.2.2. M`g Av`vj Z MV`tbi Av`te`b

(1) th t`q`i`I G AvB`tbi Aaxb tKv`bv gvgj v M`g Av`vj Z KZ`R wePvi thvM` nq tmt`q`i`I
we`i`v`tai th tKv`bv c`q`I D`3 gvgj v wePv`ti i w`b`g`E M`g Av`vj Z MV`tbi Rb` w`m`x`v`S`-
M`h`Yi j`t`q`I BDw`bq`b cwi l`i tPqvi g`v`tbi w`b`K`U w`b`a`i`i Z c`x`w`Z`Z Av`te`b Ki`Z
cvi`te`b Ges BDw`bq`b cwi l` tPqvi g`v`b wj w`L`Z Kvi Y `w`k`q` D`3 Av`te`b w`U bvKP bv
Ki`j w`b`a`i`i Z c`x`w`Z`Z M`g Av`vj Z MV`tbi D`t`v`M M`h`Y Ki`te`b|

(2) D`3 AvB`tbi Aaxb Av`te`b bvg`A`j`i Av`k `0`v`i ms`q`j`a e`w`3 Av`t`ki wei`t`x,
w`b`a`i`i Z c`x`w`Z`Z l` w`b`a`i`i Z mg`t`qi g`t`a` GLw`Zqvi m`u`b`em`n`Kvix RR Av`vj Z
wi`w`f`k`b Ki`Z cvi`te`b|

6.2.3. Av`te`tbi w`dm

Zdwm`t`j i c`0`g fiv`Mi mv`t_ m`u`w`k`Z ntj `B UvKv Ges w`0`Z`x`q fiv`Mi mv`t_ m`u`w`k`Z
ntj Av`te`b c`t`I i mv`t_ Pvi UvKv w`dm Rgv w`t`Z nte|

6.2.4. bvKP Av`te`b bv-g`A`j`i Av`k kmn Av`te`b Kvi`x`k tdi Z c`0`vb

BDw`bq`b cwi l`i tPqvi g`v`b KZ`R th`t`q`i`I Av`te`b bvKP nq tmt`q`i`I Zv D`3 bv-
g`A`j`i Av`k mt`g`Z Av`te`b Kvi`xi w`b`K`U tdi Z w`t`Z nte|

6.2.5. Av`te`b bv-g`A`j`i Av`t`ki wei`t`x wi`w`f`k`b/Aw`c`j

Av`te`b bv-g`A`j`i nlqvi Zwi L n`Z 30 w`t`bi g`t`a` c`p`wePv`ti i Rb` Zv h_vh_
GLw`Zqvi m`u`b`em`n`Kvix R`t`Ri w`b`K`U `w`L`j Ki`Z nte|

6.2.6. Av`te`t`b Kx Kx Z`v`v`K`i`Z nte?

Av`te`t`b w`b`g`j w`L`Z Z`v`v` I weeiY `v`K`i`Z nte:

1. th BDw`bq`b cwi l`i Av`te`b Kiv ntqt0 Zvi bvg l` w`Kv`bv;
2. Av`te`b Kvi`xi bvg, w`Kv`bv l` cwi Pq;
3. c`0`Zev`xi bvg, w`Kv`bv l` cwi Pq;
4. th BDw`bq`b Aciva ms`Nw`JZ ntqt0 A_ev gvgj vi Kvi Y m`j`0` ntqt0 Zvi bvg;
5. NUbv m`j`0`i Kvi Y, NUbvi `vb, BDw`bq`t`bi bvg, NUbvi Zwi L l` mgq;
6. Awf`thvM ev `wei ms`q`j`B weeiY, c`K`w`Z l` q`w`Zi cwi gvY;
7. c`0`v`Z c`0`Z`Kvi |

6.2.7. Av`te`b c`t`I cvevi ci tPqvi g`v`b Kx Ki`te`b?

Av`te`b c`t`I w`U cvevi ci BDw`c tPqvi g`v`b Zv cix`q`v K`ti M`h`Y Ki`te`b| Av`te`b c`t`I M`h`Y
Kiv ntj BDw`bq`b cwi l`i tPqvi g`v`b w`b`v`0` Zwi t`L c`0`Zev`x`k` nwm`Ri n`Z mg`b t`te`b
Ges ev`x`k` nwm`Ri n`Z w`b`v`R t`te`b| gvgj vi cieZ`P`Kvh`e`g Pw`j`t`q` hv`te`b|

Av`te`b w`U Am`u`Y`ntj A`w` c`0`q`v`R`b`q` Z`v`v` bv `v`K`i`j A_ev GLw`Zqvi ew`f`Z ntj
w`Z`w` Zv bvKP Ki`Z cvi`te`b| Z`te` Kx Kvi`Y Av`te`b w`U bvKP Kiv ntj v` Zv Aek`B
Av`te`b c`t`I i Dci wj l`t`Z nte|

6.2.8. cŕZev`x`we ev weev` ˆŕKvi Kiŕj Mŕg Av`vj Z MVb Kiv nŕe bv mgb Abŕvqx A_ev cŕKvi vŕŕi cŕZev`x nviRi nŕj Ges`we ev weev` ˆŕKvi Kiŕj Ges BDŕbqb cwi lŕ`i tPqvi g`vŕbi Dcw`wZŕZ D³`we cŕY Kiŕj Mŕg-Av`vj Z MVb Kiv nŕe bv |

6.2.9. Kx Kx Kvi ŕj Avŕe`b bvKP Kiv hvŕe?

1. Avŕe`ŕbi wdm Rgv bv w`ŕj ;
2. GLwZqvi ewfŕZ nŕj ;
3. AcŕKwZ`e`w³i wei`ŕx Avŕe`b nŕj ;
4. Avŕe`b Am³ŕY³nŕj A_ŕ Avŕe`bKvi x, cŕZev`x, mvŕŕxi bvg, wKvbi l cwi Pq bv _vKŕj ;
5. NUbv, NUbv mŕŕi Kvi Y, NUbvi ˆvb-mgq-Zwi L, ŕŕwZi cwi gvY, cŕw`Z cŕZKvi, BZ`w` Dŕj E-bv _vKŕj ;
6. e`w³ Av`vj Z Mŕn` Kvi ŕj cŕeŕ`vl x mve`-nŕj ;
7. bvevŕŕKi ˆŕ_ŕ cwi cŕŕ`nŕj ;
8. weŕivawJ wŕŕq mŕvŕ wki Pw³ nŕj ;
9. mi Kvi ev ˆvbxq KZŕŕ ev KZŕ` cvj bi Z tKvŕbv mi Kwi KgPvix hw` t`l qwb gvgj vi tKvŕbv cŕŕ nq |

6.2.10. Mŕg Av`vj ŕZi GLwZqvi, BZ`w`

1. th BDŕbqbŕ Aciva msMwZ nŕe ev gvgj vi Kvi Y D^me nŕe, weevŕ`i cŕŕMY mŕvavi YZ tmB BDŕbqbŕbi ewm>`v nŕj, tm BDŕbqbŕ Mŕg Av`vj Z MwZ nŕe Ges Abjfc gvgj vi wePvŕi i GLwZqvi Mŕg Av`vj ŕZi _vKŕe |
2. th BDŕbqbŕ Aciva msNwZ nŕe ev gvgj vi Kvi Y D^me nŕe, weevŕ`i GK cŕŕ tmB BDŕbqbŕbi ewm>`v nŕj Ges Acı cŕŕ wfbeBDŕbqbŕbi ewm>`v nŕj, th BDŕbqbŕbi gŕa` Aciva msNwZ nŕe ev gvgj vi Kvi Y D^me nŕe, tmB BDŕbqbŕ Mŕg Av`vj Z MwZ nŕe; Zŕe cŕŕMY B`Qv Kiŕj wR BDŕbqb nŕZ cŕZwŕva gŕbvbxZ KiŕZ cviŕe |

6.2.11. Mŕg Av`vj ŕZi ŕŕgZv

G AvBŕb wfbeŕfc tKvŕbv weavb bv _vKŕj, Mŕg Av`vj Z AvBb 2006-Gi Zdwŕŕj i cŕg Aŕŕk ewŕZ tŕŕ`wii Acivamgŕni tŕŕŕ tKvŕbv e`w³tK tKej gvŕ AbwAK cŕPk nŕvRi UvKv ŕŕwZcŕY cŕvŕbi Avŕ`k cŕvb KiŕZ cviŕe | Zdwŕŕj i wŕZxq Aŕŕk ewŕZ t`l qwb weŕqewŕj i mŕŕ_ m³ŕwKŕZ tKvŕbv gvgj vq Abjfc weŕŕq Zdwŕŕj Dŕj wZ cwi gvY A_ŕcŕvŕbi Rb` Avŕ`k cŕvb KiŕZ ev m³ŕwEi cŕKZ gŕvŕ KŕK m³ŕwE ev Gi`Lj cŕZ`cŕYi Rb` Avŕ`k cŕvb KiŕZ cviŕe |

GLvŕb Mŕg Av`vj ŕZ Avŕe`b Kivi bgŕv Ges gvgj vi Avŕ`k bŕvŕi bgŕv t`l qv nŕj v:

Mög Av`vj tZ gvj vi Avte`b cTÎ i bgjv

gvj vi baf	:
`vtqii i Zwi L	:
gvj vi ai b	:

tPqvi g`vb

..... BDıbqb cwi l`

DcTRj v : tRj v :

wel q : MÖg Av`vj Z MVtbi Avte`b Ges AwfthvM/`wei weeiY |

Avte`bKvixi bvg l wKvbv	cÖZev`xi bvg l wKvbv	mvTjxMtiYi bvg l wKvbv
NUbvi `vb :	(GLvtb Avte`bKvixi e ³ te`i we`wi Z weeiY Ges wZwb wK cÖZKvi cÖ`bv Kti b Zvi weeiY _vKte)	
Zwi L :		
mgq :		
Zclmj :		
	Avte`bKvixi `Tj i RvZxq cwi Pq cTÎ bs	

(we.`? cÖqvRtb GKwaK KVMR e`envi Kiv hvte |)

Avt` kbyv

.....BDwbqb cwi l` Mlg Av` vj Z
 DctRjv : tRjv :
 gvgjvi baf : gvgjvi aib :
 Avte` bKvix : ciZev`x :

Avt` tki baf l` Zwi L	Avt` tki weeiY l` tPqvi g`v`bi `v`i

7. cōZte`b

wewfbaecōqRtb BDnbqb cwi l`tk bvbv aitbi cōZte`b cōZ KiZ nte| GKw ewl R AwL R weeiYx cōZ Ges Zv h_vmgfq `wLj Kiv GLb tgSwj K t_vK eivl (BBG) cvl qvi ceRZq tZgwb lvbWmK Ges mi Kvi KZR PwnZ Ab`vb` cōqRbxq cōZte`b `wLj Kivl GLb Acwinvhq G mKj cōZte`b OK Acvtikbjy g`vbqfaj cōvb Kiv ntqfQ| ZvQvov Avtiv wKoz cōZte`b cōZ l tcoY KiZ nq| G,tjv OK AvKvti wbtgat` l qv ntjv:

μgK	cōZte`bi wktivbvg	hvi wBKU cōvb KiZ nte	cōvtbi mefkl Zwi L	wel q`ev weei Y	gSe`
1	ewl R cōZte`b	tRjv ckwM l `vbxq mi Kvi wefvM tcoYi Rb` BDGbl -i wBKU `wLj	30 tmP=†	m=ú Ges `vq t`bri weeiYmn ewl R AwL R l ms`vcb m=úwKZ	BDnbqb cwi l`t` i tPqvi g`vb l mPe KZR cōZKZ Ges `wLj Z
2	ewl R AwL R weeiYx	tRjv ckwM l `vbxq mi Kvi wefvM tcoYi Rb` BDGbl -i wBKU `wLj	mvavi Yfvte 31 AvM=, Gj wRGmic:2-Gi t`t` 31 Rj vB	e`vsK weei Ymn ermii Avq l e`tqi m=úY® weeiwY	BDnc tPqvi g`vb l mPe KZR cōZKZ l `wLj Z
3	Gj wRGmic:2 Gi AwL R l ev`e Kivhewj i cōZte`b	Gj wRGmic:1 t`qe mvBU Pj ybr nl qv chS-wWVGj wRi wBKU BDGbl Ges `vbxq mi Kvi wefvM Abij w c tcoY	cōZeQti i 31 Rvbpwmi l 31 Rj vB	lvbWmK cōZte`b m=úwKZ mshp` di tgu Abjvri	BDnc tPqvi g`vb l mPe KZR cōZKZ l `wLj Z
4	Mōg Av`vj Z m=úwKZ l vbWmK cōZte`b	tRjv ckwM l wefvMq Kugkbrti i wBKU tcoYi wbgE BDGbl -i wBKU `wLj	Rvbpwmi -Rjbi wi tcoU`tj v AvM= Rj vB-wWtm=† 1j v tde`qwi	cōZte`b OK mshp`	BDnc tPqvi g`vb l mPe KZR cōZKZ l `wLj Z
5	Mōg cjj k m=úwKZ gwMk cōZte`b	BDGbl	cōZgvrtmi 1g mBvtn ce@ZPgvrtmi KgZrci Zvi cōZte`b	AvBb k:Lj v cwi w`wZmn Mōgcjj tki Zrci Zvi weei Y	BDnc tPqvi g`vb l mPe KZR cōZKZ l `wLj Z
6	Rb# l gZi wbeÜb m=úwKZ gwMk cōZte`b	tRjv ckwM tKi wBKU tcoYi Rb` BDGbl -i wBKU `wLj	cōZgvrtmi 1g mBvtn ce@ZPgvrtmi KgZrci Zvi cōZte`b	Rb# l gZi wbeÜb, Rb# l gZi mb` cōvb m=úwKZ	BDnc tPqvi g`vb l mPe KZR cōZKZ l `wLj Z
7	BDnc Z` l tmev tK`a m=úwKZ gwMk cōZte`b	tRjv ckwM tKi wBKU tcoYi Rb` BDGbl -i wBKU `wLj	cōZgvrtmi 1g mBvtn ce@ZPgvrtmi KgZrci Zvi cōZte`b	BDAvBGmimi Avq e`q Ges tmev cōvtbi weei Y	BDnc tPqvi g`vb l mPe KZR cōZKZ l `wLj Z
8	`thM m=úwKZ cōZte`b	tRjv ckwM tKi wBKU tcoYi Rb` BDGbl -i wBKU `wLj	`thMmi mgq cōZte`b	`thMmi dtj t`q`wZi weei Y, t`v Zrci Zvi weei Y, t`v mgMō Ges Ab`vb` mrvqZvi Pwn` v	BDnc tPqvi g`vb l mPe KZR cōZKZ l `wLj Z

2. BDwC/l qvW^och^oqi mfV mspvš-Z_{..}:

mfvi bvg	Kw ^o qjZ / cwi Kwí Z	AwR ^o	AskMhYKvi x		Avtj vP ^o m ^o P	vmxvš- mgn
			cj "l	bvi x		
gvwK mfV						
l qvW ^o mfV						
BDwWm mfV						
wetkl mfV						
w ^o g hvPvB mfV						

UxKv: (mfvi Kw^oqjZ Yx wí tcv^oUP m^o½ msh^o Kí tZ n^ote)

wewRwmm mfVq BDwC tPqvi g^ovb l GKRB gwj v m^o m^o thvM w^o tquQj wK? (n^ov/bv)

- tgvU mfvi mSL^o v KZ?
- AskMhY Kiv mfvi mSL^o v KZ?
- thvM bv t^o l qv mfvi mSL^o v
- hw^o AskMhY bv K^oti v^oqKb, Kvi Y .
- tK tK Ask wbtqtQb? 1 | tKej BDwC tPqvi g^ovb, 2 | tKej gwj v m^o m^o,
3 | DFqB |
- Avtj vPbvi w^ol q wK wQj ?
- vmxvš-wK wQj ?

b^obZg kZ^oewj /^o qjZvmPK mspvš-Z_{..}ewj

3. l qvW^och^oqi AskMhYgj K cwi Kí bv mspvš-Z_{..}:

l qvW ^o bs	AskMhYgj K cwi Kí bv Awatektbi Zwi L	Rb ^o Mw ^o xK wKfite AeinZ Kiv n ^o qjQj ? (gvBwKs/Av ^o šY c ^o l /XvK w ^o U ^o q/ e ^o w ^o MZ thvM ^o thvM ^o wj dtj U weZi Y)	AskMhYgj K cwi Kí bv Awatektbi tgq ^o	AskMhYKvi x		Rb ^o Mw ^o xi c ^o l weZ c ^o K ^o ti i mSL ^o v	AM ^o waKvi c ^o lB c ^o K ^o ti i mSL ^o v		mfvi Dcw ^o wZ l vmxvš- Z _{..} Av ^o Q wK? (n ^o v/bv)
				cj "l	gwj v		cj "l	gwj v	

4. BDwC cvP eQi tgq^o w^o cwi Kí bv c^oq^o K^oti tQ wK? (n^ov/bv)

hw^o n^ov nq, Zvntj cwi Kí bvi tgq^o, t^o tK ch^oš-..... eQi
5 eQ^oti i cwi Kí bvi Rb^o m^oq^o tgvU e^o tqi cwi gvY (UvKv)

5. BDic DbjP evfRU mfvi mspvš-Z_''

DbjP evfRU mfvi Zwi L	RbMtYi KvtQ Lmov evfRU weei Yx weZi tYi Zwi L	evfRU mfvi Z_'' cPvi (gvBwKs/AvGšY cI/XvK wcuUq/e''Mz thvMthwM/j dtj U weZi Y)	evfRU mfvi tgqv`	AskMhYKvi x		AskMhYKvi x` i gše''	mfviq MpxZ wvxš-
				cj`l	gvnj v		

6. BDic evfRU Abjgv` b mspvš-Z_''

mfvi Zwi L	mfvi tbwUtki Zwi L	AskMhYKvi x` i aib					tgvU AskMhYKvi x		evfRU wK Abjgv` Z? (niv/bv)
		BDic m`m`	GvRl / mKxj mgvR	I qW® KvgUli m`m`	GmG mim m`m`	mi Kwii `Bti i KgKZ# KgPvi x	tckvRex	cj`l	

(UxKv: tckvRex A_©AvBbRex, `g` wK¶K, wPwKrmK BZ`w`)

7. BDwci ewl R evfRU

μwgK bs	ivRt`† Drm	Pj wZ eQti i evfRU	Pj wZ eQti i Avq (wi tcvUq` I qvi Zwi tL)	wMZ eQti i evfRU	wMZ eQti i cKZ Avq
	wbR`^Drm				
1	tnwi s U`v.				
2	e`emv, tckv I RmeKvi I ci U`v.				
3	wetbr` b Ki				
4	BDwci Bmj Kiv j vBtmY I cwi gtiUi Rb` cB wcl				
5	BRviv eve` cB K) nU-evRvi L) tLuqvo (Mew` ci i QvDwb)				
6	gUi Pwj Z hvb Qvov Ab`vb` cwi entbi I ci Avti wcz j vBtmY wcl				
7	m`uE t`K Avq				
8	Ab`vb` (RbX, gZi I bMwi KZj mbt` i Rb` wcl)				
9	`vZv ms`v, tj vi KiQ t`K cB				
	tgvU				
	mi Kwi Ab`vb				
1	BDwci eivl				
2	Gj wRGmic t`K eK MwU				
3	`vZv wE eivl				
4	fng n`vSi wclbi 1 kZvsk nrti cB				
	tgvU				
1	DctRj v t`K cB (hw` _vtK)				
2	tRj v cwi t` t`K cB (hw` _vtK)				
3	Ab`vb`				
	tgvU				
	meMwKtj`				

8. meKl Ki wbaY Kte Kiv ntqtQ? A_@Qi
 tnwi s U`v. i wbi fcz At`P cwi gvY ? UvKv
 cvP eQti i gta` Ki wbaY bv ntq _vKtj , Zvi Kvi Y

9. BDnc wbi x¶i v mspuvš-Z_”

wbi x¶i v aib	wbi x¶i v Zwi L	wbi x¶i v gšē (Avcitēnb Avcitēmn /Zt_”i Acitē Zv/ weifc)	Pj wZ eQti AwWU Avcitēi msL”v	Kqiu AwWU Avcitē wb®ūnē ntqtQ	wb”ūnē bv nl qv AwWU Avcitēi msL”v	Kqiu wb”ūnē bv nl qv AwWU Avcitē Pj wZ eQi wb®ūnē ntqtQ	tgiv Kqiu AwWU Avcitē wb®ūnē KitZ nte (eZ@vb +c#eP)
wmG dvg® Øiv AwW_R wbi x¶i v							
KgZrci Zv wbi x¶i v							
mi Kwii wbi x¶i v							
wetkl wbi x¶i v							

BDnc t_vK eivti i mspuvš-Z_”

10. wewfbaai tbi t_vK eivti i Ae”v :

t_vK eivti i aib	A_”cūsi Zwi L	UvKvi cwi gvY	wKw”-(1g ev 2q)	my ūó cwi gvYmn ce#Nwl Z eivti i mvt_ wfbz”v	wemZ eQti i tPtq epxi nvi (%)	e”q mspuvš- Z_”
Gj wRGmic tgšij K t_vK eivti						
Gj wRGmic ”¶i Zv wfiēK t_vK eivti						
BDnc wRvc eivti						
wetkl Abj vb						
DctRjv t_vK eivti						
m¶igZv epxi Rb” Abj vb						

11. $\bar{w}g$ ev \bar{e} iqb cwi $\bar{w}Z$

11. $\bar{w}g$ ev \bar{e} iqb cwi $\bar{w}Z$

I qW [®] bs	cwi Kí bv mfíq cŕweZ w̄đgi msL'v	I qW [®] chŕŕqi tjvKRtbi gtZ AMMaKvi w̄đgi msL'v	BDicŕi Abŕgwi Z w̄đgi bvg	w̄đgi ai b	w̄đgi e q (UvKvq)	I qW [®] KvŕU/ w̄Kv'vŕi i gra'tg ev'ewqZ nt'Q	w̄đgi ev' eqb AMMiz KZ f'w ntqŕQ	w̄g ev' evqŕbi gub (PgrKvi, Lp f'ij, f'ij, tgrUvgU, Lv'vc)	Kgms'vb mŕo	
									cj'l	bvi x

UxKv: w̄đgi aiŕbi Rb' tKw: gwU i v'v'wbgŕY=1, gwU i v'v'ms'vi=2, cwi l m'nbŕUkb=3, cŕKv moK wbgŕY=4, tmZiKvj f'vU[®]5, w̄đgi Rb' dmbPvi/hšcwiZ=6, w̄đgi feb wbgŕY=7, tWbB=8, we'jr mstŕwM=9, evRvi Dbqŕb=10, w̄đgi cŕkŕŕY=11, Ab'vb'=12 (Dŕj l=Ki'b)

w̄đgi YMZ gvb eŕŕbvi Rb' tKw: PgrKvi=1, Lp f'ij=2, f'ij=3, tgrUvgU=4, Lv'vc=5

12. Z \bar{c} cŕKvK

Zŕi ai b	hŕi' i Rb' Z \bar{c} cŕKvK Kiv ntqŕQ (Rbmavi Y/EaYzB KZŕŕ/KvŕU/mKj Askx'vi/Ab'vb')	Z \bar{c} cvl qvi'vb (BDic ŕbwlJk tevWŕewf'be'vŕb w̄ncZ w̄ej tevW'cŕKí Z \bar{c} tevWŕŕ tŕqemBU/mfv)	Z \bar{c} mfíq Rvŕŕbv ntq _vKtj, AskMŕYKvix' i msL'v		Z \bar{c} cŕKvK bv Kiv ntq _vKtj, Kvi Y Dŕj l= Ki'b
			cj'l	bvi x	
BDic cwi Kí bv					
BDic evŕRU					
cŕKí msŕvš-					
A'ŕqŕb msŕvš					
KvŕU msŕvš					
wbixŕv msŕvš					
w̄đgi gj'vqŕ djvdj					

UxKv: tktZvŕ' i Rb' tKw: Rbmavi Y=1, EaYzB KZŕŕ=2, KvŕU=3, mKj Askx'vi=4, Ab'vb'=5

Z \bar{c} cŕvŕi i Rb' e'eüZ gra'g: BDic ŕbwlJk tevW[®]1, wewf'be'vŕb w̄ncZ w̄ej tevW[®]2, w̄g Z \bar{c} tevW[®]3, l tŕqemBU=4, mfv=5

13. weMZ Qqgvf m vqx Kugwli fvgKv m uukZ Z_

μgKbs	Kugwli big	Bivqta' MvZ Kugw					mfvq Dcw'Z m' m' i mSL'v	Avj v Pbv i mel q	msakē- DctRj v Awclm t_tK tKD Dcw'Z tQj uk? (nui/bv)	MpxZ i'Zcy® m×vS-	imev cōv tbi grtbi l ci cfiē (Dbz ntqt0/ tKv bv cwi eZ® nqib/ AebwZ ntqt0)
		niv /bv	bv ntj , tKb?	Mv tbi Zwi L (gim/ e0i)	niv ntj , Gw m m m q uk? (nui/ bv)	weMZ 'I gwmK AbjōZ m fvi mSL'v					
1	A_ēl ms'vcb										
2	unme i qY l ubi x qv										
3	Ki gj vqb l Av'vq										
4	uk'v, 'r' l cwi eri cwi K i bv										
5	Kul , grm , Mew' ci , l Ab'vb' A_ēwZK Dbq b KgKvē										
6	cj =AeKv tgr Dbq b, tgi v gZ l i qY re qY BZ w'										
7	AvBb-k;Lj v										
8	Rb l gZi ubeUb										
9	m'vbtUkb, cwb mieivn, l mjqv t i R										
10	mgnRK Kj vY l 'jhvff e'e'vcbv										
11	cwi tek msi qY l Dbq b Ges e q' i vcb										
12	cwi ewi K weti va gwgismv, uk' i l brix Kj vY (cieZ' AA t j i Rb' bq)										
13	μxov l ms' wZ										

UxKv: imev cōv tbi gvb mspvš-tKwW: Dbz ntqt0 = 1, tKv bv cwi eZ® nqib = 2, AebwZ ntqt0 = 3

14. μq ms μ vš-Z $_{-}$

μ tqi aib	w $_{-}$ đgi msL $_{-}$ v	w $_{-}$ đgi aib	ms μ k θ - KvRi Rb $_{-}$ tgvU A \ddot{t} $_{-}$ Ŧ cwi gvY	BDw $_{-}$ c t β wUk fextW μ q t β wUk wQj wK? (niiv/bv/c θ hvR $_{-}$ bq)	tU \ddot{v} ti i t \ddot{t} Ŧ \ddot{t} , t β wUk msev $_{-}$ c \ddot{t} \ddot{t} cKvk Kiv n \ddot{t} q \ddot{t} Q wK? (RvZxq/ $_{-}$ vbiq)	gj $_{-}$ vqb KvgU MwZ n \ddot{t} q \ddot{t} Q wK? (niiv/bv/c θ hvR $_{-}$ bq)	gj $_{-}$ vqb KvgU wi t β cvU μ Av \ddot{t} Q wK? (niiv/bv/c θ hv R $_{-}$ bq)
mi vmi μ q (k \ddot{t} Nb KvR Qvov)							
mi vmi μ q (tKej k \ddot{t} Nb KvRi Rb $_{-}$)							
\ddot{t} ic \ddot{t} i gva \ddot{t} g							
Db μ tU \ddot{v} i c θ μ qv							

w $_{-}$ đgi aib ms μ vš-tKvW: gvU \ddot{v} i v $_{-}$ v wbg μ Ŧ=1, gvU \ddot{v} i v $_{-}$ v ms $_{-}$ v \ddot{v} i=2, cvb l m \ddot{v} btUk β =3, cvKv moK wbg μ Ŧ=4, tmZ/Kvj fvU μ =5, t \ddot{t} i Rb $_{-}$ d \ddot{v} nb μ vi/hšc μ wZ=6, t \ddot{t} j feb wbg μ Ŧ=7, tWB β =8, w $_{-}$ đ yr msth μ M=9, evRvi Db μ q β =10, t \ddot{t} Zv c θ k μ ŦY=11, Ab \ddot{v} b $_{-}$ =12 (D \ddot{t} j t β -Ki \ddot{v} b)

15. mvgw μ RK l cwi t β kMZ mj t \ddot{t} v ms μ vš-Z $_{-}$

Ab \ddot{t} gv $_{-}$ Z/ ev $_{-}$ ewqZ w $_{-}$ đgi bvg	l qw μ KvgU Ab μ nZ BGmGgGd w $_{-}$ K μ bt $_{-}$ Rbv	GmGm μ m Ab μ nZ BGmGgGd w $_{-}$ K μ bt $_{-}$ Rbv	BDw $_{-}$ c-tZ mvgw μ RK l cwi t β kMZ hv μ vB ms μ vš- bv $_{-}$ c \ddot{t} Av \ddot{t} Q wK? (niiv/bv)	t β tKv β v mvgw μ RK l cwi t β kMZ S μ Ki t \ddot{t} Ŧ \ddot{t} BDw $_{-}$ c wK ai t β bi c $_{-}$ t \ddot{t} Ŧc M \ddot{h} Y K \ddot{t} i t \ddot{t} Q?	G cK \ddot{t} Gj vKvi mvgw μ RK l cwi t β kMZ Ae $_{-}$ v \ddot{v} i Db μ q β m μ vqK n \ddot{t} e wK? (niiv/bv/c θ hvR $_{-}$ bq)

m¹gZv ep^x msp^uš-Z^{..}

16. c¹k¹Y/I wi tqtUkb/wi tdkvi c¹k¹Y/cvi ^{..}wi K wkLb

Abp ¹ tbi bvg	welq	AskM ¹ YKvi x		e ^{..} q	tgqv ^{..}	c ¹ k ¹ YK	c ¹ k ¹ Y gj ^{..} vqb Kiv ntqtQ wk? (niv/bv)	AskM ¹ YKvi x ^{..} i gtZ c ¹ k ¹ Yi gvb (PgrKvi, Lp fij, fij, tgvUvgU, Lvi vc)
		cj ^{..} l	bvi x					

gvb msp^uš-tKvW: PgrKvi =1, Lp fij =2, fij =3, tgvUvgU=4, Lvi vc=5

17. AvBBim msp^uš-Z^{..}

AvBBim Kvh ¹ tgi ai Y	D ¹ l k ^{..}	Kw ¹ Y Z tktZv (Rbmavi Y /BDuc ms ¹ k ¹ e-e ^{..} 3eM ¹ m ¹ xj mgvR /mi Kwii Kg ¹ Z ¹ mKj Ask ¹ vi)	c ¹ É tmev (AvBBim c ¹ Z ¹ vb/GwRI / ug ¹ Wqv/Ab ¹ vb ^{..})	tktZv ^{..} i c ¹ Z ¹ uqv (BivZevPK/ tbivZevPK / tKivUvB bq)	c ¹ B dj vdj	ms ¹ k ¹ e- e ^{..} q

c¹Z¹qbc¹

wbge^{..}Y¹i Kvi x (BD¹vbq¹tbi bvg) BD¹vbq¹ cwi l^{..} i
tPqvig^{..}vb (tPqvig^{..}v¹tbi bvg) c¹Z¹qb Kwii tZwQ th G wi tcvU¹
m¹u¹Y¹Ges D¹tj w¹Z wi tcvU¹ tgvq¹ G BDuc¹Aw¹R I Ab¹vb^{..} Kg¹v¹tEi miwK c¹Z¹dj b |
Aw¹g AeM¹Z i tqvQ th G wi tcvU¹ tKiv¹bv fij Z^{..} c¹vb Kiv ntj t^{..}vK eiv¹ c¹vb ^{..}wM¹Z
Kiv ntZ cv¹i |

^{..}Y¹i:

Zwi L:

7.2 Mōg-Av`vj t̄Zi I vb̄mK cōZte`b

Mōg-Av`vj t̄Zi I vb̄mK cōZte`b di t̄gi bḡv

t̄Rjv :

Dc̄t̄Rjv :

.....BD̄wbq̄b cwi I`

1| ermi :

2| `vt̄qi KZ gv̄gj vi msL`v :

3| vb̄@ú̄b̄oḡvj vi msL`v :

4| weP̄vi v̄axb gv̄gj vi msL`v :

5| th mKj gv̄gj v vb̄@ú̄w̄Ē Kiv n̄t̄q̄t̄Q Zvi msL`v :

6| Av`vqKZ w̄dm :

7| avh̄KZ Rwi gv̄bv :

8| Av`vqKZ Rwi gv̄bv :

Zwi L :

wj t̄gvni :

.....
BD̄wbq̄b cwi I` i t̄P̄qvi g`vt̄bi `v̄t̄i

w0Zxq tj vKvj Mfb@Y mvtcvU©c0R±
Gj wRGmnc:2

8. GjWRGmnci cUfng Dfík I Kvhþug

Avu_R weþK`iKiþYi gra`tg `vbxq miKvi cÅZövmgnþK ku³kvj x Kivi Dfík` evsjv`k miKvi 2004 mvtj BDwbqbw cwi l`mgþn mi vmi t_vK eivl` cövtbi cxwZ cþj b Kti | GiB avivevniKZvq ZYgj chþq `vbxq miKvi cÅZövb wntmte BDwbqbw cwi l`þK AwaKZi Avu_R þlgZv, `þlgZv Ges `vbxq RbMþYi Pwin`wfvE`K Dbqbw Kvhþug cwi Pj bvq mþlg Kti Mto tZvj vi j þþl` `vbxq miKvi wefM 2000 mvj ntZ 2007 mvj chS-BDGbwWmc Ges BDGbwWGD Gi Avu_R mnvqZvq wni vRMÄ tRj vq ÖmivRMÄ tj vKvj MfbþY tWþfj ctgU dvÜ cKí (GmGj wRWGDwc)ó brtg GKwU cvBjU cKí ev`evqb Kti | Gi avivevniKZvq evsjv`k miKvi, weþ`vsk, BDGbwWmc, BDGbwWGD, B BD I WwbWv Gi Avu_R mnvqZvq t`þki mKj BDwbqþb Rj vB, 2006 ntZ wfmþt, 2011 tgvþ` meþgvU 1330 tKwU UvKv e`þq tj vKvj MfbþY mvtcvU° cÖR± (GjWRGmnc) mdj fvte ev`evqb Kti | G cKí w weþK`iKiþYi tþtþ GKwU mdj Df`vM wntmte mKj gntj ckswmZ nq | GjWRGmnc cKí i mvdj` mKj gntj thgb ckswmZ nq tZgnb Gi MþYþhM`Zvl teþo hvq, hvi dtj Dbqbw mnþhMx ms`vmgn 2q GjWRGmnc cKí MþY evsjv`k miKvi þK mnvqZv cövtb AvMþ cKvk Kti |

GjWRGmnc-i gj j þl` nt`Q `QZv Ges Revei`wzv cÅZövi gra`tg BDwbqbw chþq mþvmb wbuÖZ Kiv | G cKí i Avl Zvq chþq þtg t`þki mKj BDwbqbw cwi l`þK mi vmi t_vK eivl` cövb Kiv Övovl Zv`i `þlgZv eþx, `vbxq chþq `QZv I Revei`wzv cÅZöv, bZb I D`vebx Kvhþug ev`evqþbi gra`tg BDwbqbw cwi l`þK Kvhþi cÅZövb wntmte Mto tZvj v Ges RvZxq chþq weþK`iKiY evÜe bxwZ cövtþbi tþtþ mnvqZv cövb Kivi Df`vM tbi qv ntþtQ | `vbxq chþq mþvmb cÅZöv, `vvi`a weþgvPb, RbAskMþYi gra`tg `vbxq Dbqbw Zi wšZ Kiv Ges ZYgj chþq Askx`vvi Zgj K e`vcbv cÅZövi Rb` GjWRGmnc cKí GKwU „i“ZcY`c` þþlc |

GjWRGmnc:2-Gi Dfík`

G cKí i gra`tg BDwbqbw cwi l`mgþn th eweZ t_vK eivl` tctq_vtK Zv Öviv RbMþYi cZ`þ AskMþYi gra`tg `vbxq chþq wefvbE`Dbqbw cKí ev`evqb nt`Q | hvi dtj RbMY Zv`i Pwin`wfvE`K tmev cvt`Qb Ges RbMþYi cZ`þ AskMþYi dtj `vbxq Dbqþb RbMþYi Askx`vvi Zj cÅZwöZ nt`Q | t_vK eivl`i A_Öviv BDwbqbw cwi l`mgþn RbMþYi Pwin`vi wfvE`Z th tKvþv Kvhþug Z_v `vbxq iv`v-NvU, weR-Kj fvU° tðwi -NvU wbgþY ev ms`vi, cö_wgK I gra`tgK we`vj þq AvmevecI mieivn I AeKvWtgv wbgþY, mþcq cwmb mieivn, `v`mþšZ m`wþtUkb e`v cÅZöv, Kwi Drcv`b eþx, Z` I thvMvþhM chþ³ Ges `v` e`v Dbqþbi Rb` Kvhþug MþY Ges mvgwRK Dbqþbi Rb` RbMþPbZvgj K KgþP ev`evqb KtþQ | Dfík` nt`Q Gi gra`tg BDwbqbw cwi l`þK ku³kvj x I RbAskMþYgj K `þl` `vbxq miKvi cÅZövb cwi YZ Kiv |

Kvhϕjg

G cKtí MnxZ Kvhϕtgi gta` itqtQ BDwbq cwi l`i wbePZ RbcZwbvat`i `qZv ewxi KgmP MhY, RbAskMhYgjK cwi Kíbv, DbjP evtRU mfv, AwR I μq e`evcbv, ^QZv I Review wnzv, cwi tek I mvgwRK mj qv Ges cZte`b cYqb wltq BDwbq cwi l`mgatK cKqYi e`ev MhY|

G cKtí IqvW©chq w`g ev`evqb KugwU itqtQ| G KugwU IqvW©chq MnxZ w`gmgfni cwi tekMZ, mvgwRK, AwR DcthwMZv Ges RbMtYi KvQ MhYthvM`Zv wetePbvq ti tL w`g evQvB Kivi Rb` KvR Ki tQ|

DctRjv chq t_K eiví mgšq KugwU itqtQ| G KugwU BDwbq cwi l`i mt½ AwfÁZv wabgq Ges BDwbq chq w`g ev`evqbi weifbAwbq wbtq Avtj vPbvi Rb` MwZ GKwU tdvvg| Gi Ab`Zg `wqZj njv BDwbq cwi l`i Lmov cwi Kíbv I evtRU cYqtb Kwí Mwi mnvqZv c0vb Ges DctRjv weifbwtm±iwfWÉK w`dgi gta` ^ZZv cwinvti mnvqZv Kiv| GQovvl cKí ev`evqb m`úwKZ th tKvbtv Awbqtgi wltq G KugwU c`tqC MhY Kitz cvti| DctRjv wbePz Awdmvi G KugwU c0vb wntmte `wqZj cvj b Ktib Ges DctRjv wítmvWtgi m`mMY I DctRjv chq Ab`v` KgRZmn BDwbq cwi l`i tPqigv Ges cZ BDwbq t_tK GKRB Kti gunj v m`m` (e`vsk wmvte `qvi Kvi x) wbtq G KugwU MwZ nq|

DctRjv chq mské wfvMi KgRZ`i wbtq DctRjv wítmvWg MVb Kiv nq| G wJg BDwbq cwi l`i weifbKgrvÉ wtkl Kti BDwbq cwi l`i `qZv Dbqtb mnvqZv c0vb Kti |

cKí ev`evqb wbt`Kv Abjviti IqvW©chq cwi Kíbv mfv AvtqvRb IqvW© emevmKvix Awakvsk gvbl, wtkl Kti gunj vMY Dcw`Z t_tK Avtj vPbvq AskMhY Ktib| w`g ^Zwi Kti AMhAkvifwÉK w`g,tjv BDwc eivei tçY Ktib| w`g I evtRU cYqtb Ges AMhAkvifwÉK RbMtYi AskMhY wbowZ Kiv nq| G mKj wltq tRjv cKvmK Ges `vbxq mi Kvi wfvMtK AewZ Kivi cvkvcwk Rbmgq cKvk Kiv nq|

wMZ A`eQimgfn Gj wRGmwc Zvi Kw`qZ j q`gvT v AtbKuvB ARB Kitz tctitQ, hv wtkl fvte Daj LthvM`| Gi gva`tg BDwbq cwi l`i wbePZ Rb cZwbvMtYi Ges BDwbq cwi l`i m`qZv ewx tctitQ| dtj tmev c0vtbi mvg`m`cñwv Z ntqtQ| `vbxq chq wmxvš-MhY Ges Dbqtb Kvhϕtgi RbMtYi AskMhY cteP th tKvbtv mgqti Zj bvq AtbK tetotQ| wMZ 4 eQti 4441 wJ BDwbqtb e`vsk GKvDtu 1128 tKwU UvKv mivmwi tçY Kiv ntqtQ Ges Gi gva`tg 1 j q` 10 nvRvti i tenk w`g ev`ewqZ ntqtQ|

cKtí i tgqvt`i PZL`eQti 4486 wJ BDwbq cwi l` c0btFU AwWU dvq`vivi AwWU Kivbtv ntqtQ| GwU cKtí i ^QZv I Review wnzv wbowZ Kivi t`t` Ab`Zg AMhWZ| ZvQovv DbjP evtRU mfv, w`g MhY, w`g ev`evqb, w`g ev`evqb ZÉyavb, gubUvi s I gj`vqb mKj t`t`B ^QZv I Review wnzv wbowZ Kivi Dcvq w`gvb itqtQ|

BDwbq b cwi l`i m`f`gZv epxi Rb` cK`i tgqvt` 60 nRvti i l Awak Rbc`Zubwa Ges KgRZPKgPvix`K 5 w`b e`vcx c`k`f`Y c`vb Kiv n`q`q`Q| G Kv`Ri Rb` c`k`f`Y c`B gv`vi tUvvi Ges Dc`Rjv wi`tmv`m`U`tgi m`m`f`i mn`thwMZv M`hY Kiv n`q`q`Q| Zv`i`i`Kl Dch`p` c`k`f`Y t` l qv n`q`q`Q|

e`Z, RbM`f`Yi Pwn`v Abyn`f`i tmev c`v`v`b m`f`g kw`³ kuj x l Kv`h`Ri BDwbq b cwi l` Mto tZvj vi c`Z`f`q evsj v`k mi Kvi, vek`p`vsK, BDGbw`Wvc, BDGbw`m`W`Gd, BBD l Ww`b`Wvi -th`_ c`v`f`m Gj w`RGmuc ev`emqZ n`q`q`Q hv RbM`f`Yi c`Z`vkv ci`f`Y A`f`bKvst`k mdj n`q`q`Q evj hvq| evsj v`f`tki c`Z`s`-M`ogv`A`f`j Dbq b Kv`h`p`f`tgi th AM`h`Z Zvi c`v`b Askx`vi Gj w`RGmuc| Gj w`RGmuc-i mvdj` Ges RbM`f`Yi Pwn`v l mi Kv`f`i i wbe`P`b A`v`x`Kvi ev`evq`f`bi j`f`f` 2q Gj w`RGmuc M`hY Kiv n`q`q`Q Ges eZ`g`v`b Zv ev`emqZ n`q`q`Q|

e`vsK wnmve cwi Pj b v:

Gj w`RGmuc:2-Gi Rb` GKwU Avj v`v e`vsK wnmve _vK`f`e| BDwbq b cwi l`i t`Pqvi g`vb, GK`Rb g`w`j v m`m` l BDuc mi`P`f`i th`_ `f`f`f`i wnmve`U cwi Pw`j Z n`e| e`vsK wnmv`te `f`f`i Kvix g`w`j v m`m` c`Ze`Qi ch`q`m`t`g cwi eW`Z` n`e|

8.1. Gj w`RGmuc:2-Gi Avl Zvq BDwbq b cwi l`i Rb` Abj`vb

- tg`S`ij K t`_vK eiv`f`i (BBG)
- `f`f`Zv w`f`w`E`K eiv`f`i (PBG)

8.1.1. tg`S`ij K t`_vK eiv`f`i (BBG) wba`f`f`Y l weZiY

- tg`S`ij K t`_vK eiv`f`i i 25% A`_`m`Kj BDwbq b cwi l`i g`f`a` mgnv`f`i weZiY Kiv n`e|
- Aen`k`o 75 f`vM A`_` A`w`f`t`U D`E`x`Y`BDwbq b cwi l`i RbmsL`vi Dci w`f`w`E` K`f`i 90% Ges AvqZ`f`bi Dci w`f`w`E` K`f`i 10% eiv`f`i wba`v`P`Y Kiv n`e|
- `v`b`x`q mi Kvi w`f`vM tg`S`ij K t`_vK eiv`f`i i (wewew`R) A`_`` B` w`Kw`f`Z c`vb Ki`f`e hv c`Z` e`Q`f`i i AvM`-`-t`m`f`P`w`f` Ges tde`q`w`i -gv`P`` g`v`f`m mi`v`m`i BDwbq b cwi l`i e`vsK A`v`KvD`f`U cv`v`f`bv n`e|
- tg`S`ij K t`_vK eiv`f`i (BBG) l `f`f`Zv w`f`w`E`K eiv`f`i (BBG) Gi A`S`Z 30% A`_`` b`vix`f`i i O`v`i v AM`h`a`Kvi c`B` w`g ev`evq`f`bi Rb` e`q Ki`f`Z n`e|
- tg`S`ij K t`_vK eiv`f`i (BBG) l `f`f`Zv w`f`w`E`K eiv`f`i (BBG) Gi m`f`el`P` 10% A`_`` m`f`gZv epx` msp`v`S`- Kv`R (c`k`f`Y, cv`i`u`wi`K w`k`Lb, w`g `Z`wi i Rb` c`B`q`R`b`x`q mnvqZv, mj`f`f`v e`e`v`m`g`n, wnmve i`f`f`Y, BDwbq b ch`q`qi Z`_`w` Kiv`u`DU`f`i G`w`U`; g`w`j v Dbq b t`d`v`i`v`g`f`k mnvqZv c`vb Ges Ab`v`b` w`b`w`` O` `f`f`Zv epx` mnvqZv) e`q Kiv hv`f`e| 10% A`_``D`f`j w`E`Z t`f`f`f`i e`q bv n`f`j w`g ev`evq`f`bi e`q Kiv hv`f`e|

8.1.2. tǵsıj K t_vK eivı w`dǵ cǵetki Rb` cǵ_wgK thvM`Zv wbaftıYi gvcKwW:

thvM`Zvi gvcKwW	mPK	cǵqvRbxq`wj j w`
1. ceZP Aw_R eQti i AvcwEnxb AwWU cǵZte`b	wbi tc ǵ AwWU cǵZǵvb ǵviv AwWU m=ubki Y Ges Aw_R Awbqgwenxb AwWU cǵZte`b	BDwbq b cwi l` i AwWU cǵZte`b
2. cieZr Aw_R eQti i ewl R cwi Kı bv l evtRU	Rbmvari tıYi AskMǵtY l qW ^ǵ mfıvq cwi Kı bv cǵqb Rbmvari tıYi AskMǵtY Dbǵ ^ǵ evtRU mfıv Ges BDwbq b cwi l` KZR Abtǵw` Z evrmwi K evtRU	AskMǵtYKvıxt` i` ǵǵımn l qW ^ǵ mfıvı Kvhǵei Yx Dbǵ ^ǵ evtRU Awatektıbi ǵǵıwi Z Kvhǵei Yx/ nwiRıv eB Ges ewl R evtRtUi Abıjııc
3. mgqgZ l vbwK wi tcvU`cǵ vb	31tk Rj vB Ges 31tk Rvıvıwı i gta` cǵZte`b RgvKıY	cǵZte` tıbi Kııc

th mKj BDwbq b cwi l` Dctıvtj w`Z thvM`Zv ARǵ e`_ǵnte Zıv tǵsıj K t_vK eıvtı i gıı 25% eıvı cıte|

8.1.3. ǵǵıZv wfvE`K Abı vb (ııcıwıR)

- tǵsıj K t_vK eivı cǵB BDwbq b cwi l` mgtıni mweR ǵǵıZv Dbqı b Drmıv cǵvtıbi Rb` ǵǵıZv wfvE`K eivı cǵvb Kıv nte| Aw_R l` ivR`^e`e`vcıvı wewfbew` K, thgb ivR`^Avq ewx, ivR`^Av`vtqi nvi, ǵǵıZv l` Revew`ıwZv, RbMtıYi AskMǵtY, cwi Kı bv l` evtRU cǵqb Ges cǵZte`b BZ`w` weltaq th mKj BDwbq b cwi l` ǵǵıZv cǵkǵ KıtZ cıte Zvt`ıtk G eivı cǵvb Kıv nte| cǵktı i wZıxq eǵi t`tk ǵǵıZv wfvE`K eivı cǵvb i i` nte|
- ǵǵıZvı gıvtıbi Dci wfvE` Ktı tRjv chıq cǵg mwi i 75% BDwbq b cwi l` tk wZbıw fvtM fıvM Ktı G eivı cǵvb Kıv nte|
- ǵǵıZvı gıvtıbi w`K t`tk cǵg 25% BDwbq b cwi l` Zvt`ı cǵc` tǵsıj K t_vK eıvtı i AwZwi ^ǵ 30% A`cıte|
- cieZr 25% BDwbq b cwi l` Zvt`ı cǵc` tǵsıj K t_vK eıvtı i AwZwi ^ǵ 20% A`cıte|
- ZrcieZr 25% BDwbq b cwi l` Zvt`ı cǵc` tǵsıj K t_vK eıvtı i AwZwi ^ǵ 10% A`cıte|
- cǵktı i 3q eǵi GKıw ga`eZP gı`vq b Kvhǵıg cwi Pıj bv Kıv nte| ga`eZP gı`vqıbi gıv`tg cǵB Zt`ı Dci wfvE` Ktı cieZP eǵi ,tj vtZ G weltaq cǵqvRbxq c` tǵıc MǵtY Kıv nte|

8.1.4. t_vK eivl' wej ʔ~wMZ nevi Kvi Y

Kvi Ymgn	dj v dj
ewl R AwWU bv Kiv t b v	cieZP A_@Qti tgvšwj K t_vK eivl' c0 vb ~wMZ _vKte
weie ev c0qvRbxq Z_ c0v t b e_Švi Rb AwWU AvciE	<p>(1) Z`š ub@ubabov n l qv chŠ t_vK eivl' ~wMZ _vKte </p> <p>(2) PøvŠ- AwWU dj v dtj i Dci wfvE Kti h_vh_ t`l qvb Ges t dŠR`wii e`e`v MhY (eivj v`k mi Kiv i AvBbvbjmvti) </p> <p>(3) RwoZ e`w³ KZK ~vbxq mi Kvi wfvM t K wbgvbjmvti AvZ t m r K Z A_@ di Z c0 vb Ki t Z cvti </p> <p>(4) ~vbxq mi Kvi wfvM KZK RwoZ BDvbqbw cwi l`mg t ni bvg RvZxq c0vi gva`tg c0vk Kiv n t Z cvti GQovl ~vbxq mi Kvi wfvM:</p> <p>(K) Gj wRGmuc t_tK A_@ AvZ t m t Z RwoZ BDvbqbw cwi l` A t h M` t N v l Yv Ki t Z cvti </p> <p>(L) AwWU w i t cv t U® w P w Y Z BDvbqbw cwi l` c i Z w b w a /KgRZv i w e i t x g v g j v ` v t q i Ki t Z cvti </p>
cY% I v b w m K c0Z t e` b c0v t b e_Šv	BDvbqbw cwi l` t K t g v š w j K t_vK eivl' c0 v t b w e j ʔ
cwi t ekM Z Ges mvgw i R K m j q v K v V t g v c0 q v t M e_Š v (GwU b`b Z g t h v M` Z v b q Z t e GwU G K w U e v a v w m v t e w e t e i P Z n t e)	cieZP eQti i Rb` t g v š w j K t_vK eivl' c0 vb Kiv n t e b v Ges mvgv j • N t b i g v i v i Dci wfvE Kti t_vK eivl' c0 vb ~wMZ Ki Y

8.1.5 Gj wRGmnc:2-Gi A_ŕviv thme w`g MõY Kiv hvte

thvMthvMt Mõgi iv`wmgA wbgŕ /cþubgŕ Kiv; we`gvb iv`wmgA iŕŕvteŕŕY Kiv; Kvj fvU`wbgŕ Kiv; weR/dŕŕl fvi weR wbgŕ Kiv; Mõgi iv`v ev moþKi Dci cwlb w`vkb tWBb wbgŕ Kiv; hvŕx OvDwb wbgŕ Kiv|

ŕ`ŕ` t MõgxY ŕ`ŕ` tK`^a wbgŕ ev cþubgŕ; ŕ`ŕ` mþPZbZv, cwi evi cwi Kí bv, Rb`ŕ` Ges cwi`vi cwi`QbZv Aŕfhvb cwi Pvj bv Kiv; ŕ`ŕ` tK`^i Rb` Jla mieivn; ŕ`ŕ` tK`^i DcKiY mieivn; LÉKvj xb ŕ`ŕ` Kgxŕ teZb cŕvb Kiv|

cwlb mieivnt weMZ 10 eQþii eb`v`þii EþaY`vbxq RbMþYi Rb` cwlb mieivtñi jþŕŕ` bj Ke`vcb Kiv; ŕŕi` mgvRwŕwÉK cwlb mieivtñi Rb` cŕBc`vcþbi w`gmgA; Sibvi cwlb msMõ Kiv; cwlb msi ŕŕYvMvi wbgŕ Kiv|

wkŕŕvt wkŕŕv cŕZõvtbi ms`vi, wbgŕ, cþubgŕ; cŕ`wgK we`vj tq Avmevecŕ mieivn; wkŕŕv DcKiY µq; wkŕŕv mþPZbZv cŕvi Yv KgmŕP MõY Kiv|

cŕKwZK m`ú` e`e`vcbrt mvgwŕRK ebvqb KgmŕP; fŕg ŕŕq cŕZivtai Dþŕŕ` AeKwŕtgv wbgŕ; cŕKwZK m`ú` e`e`vcbrv weŕqK cŕkŕŕY cŕvb Kiv|

Kwŕ Ges evRvit Mew`cŕi wUKv`vb tK`^a wbgŕ; evRvit i tUvj Ni ev OvDwb wbgŕ; meŕvaviþYi e`envh`tmP mjeavi e`e`v Kiv; DbZ Pvlveŕ`i Dci Kwŕi Mwi cŕkŕŕY cŕvb Kiv|

cqtw`vkb Ges eR` e`e`vcbrt cqtw`vktþbi mþhvM mjeavi Rb` cqtcŕvŕj wbgŕ; cqtw`vkb m`ú`KMYmþPZbZv cŕvi Aŕfhvb cwi Pvj bv; evtqM`vm`vcb|

gvbe m`ú` Dbqbt bvi x Dbqbt l bvi x`i AvZŕ Kgmŕs`vbgj K wkŕŕv; `y`þ`i Rb` Avqew`x cŕkŕŕY; `wi`^a hþK l hþ gŕnj vt`i Rb` `ŕŕZvew`x cŕkŕŕY; `wi`^a hþK l hþ gŕnj vt`i Rb` Z`cŕh`³ cŕkŕŕY; BDwbqb Z`þK`^i Rb` mnvqZv; Z` l cŕh`³i Dbqbt|

8.1.6 Gj wRGmnc:2-Gi A_ŕthme tŕŕŕŕ e`q Kiv hvte bv

K) BDwbqb cwi l` tPqvig`vb, m`m` wkŕŕv Kgŕ`i teZb, gRŕi wkŕŕv Ab` tKvŕbv mjeav t` l qv|

L) ŕŕi` A`ŕqbmñ tKvŕbv A`ŕwZK tmev thLvŕb ŕŕi` e`emvi Dþ`vŕM FY mieivn Kiv nq|

M) Ggb tKvŕbv cŕKí MõY Kiv hvte bv, hvi tbwZevPK cwi tēkMZ/mvgwŕRK cŕŕve AvŕQ|

N) agŕŕ cŕZõvtbi mvŕ` mshy³ tKvŕbv cŕkŕŕ weŕwŕ/wcŕwŕ Zñej t`þK A`ŕqb Kiv hvte bv|

8.2. Gj wRGmnc:2-Gi cÖwZömbK KvVtgv Ges ev̄ evqb ēēv

8.2.1. RvZxq chf̄q: cÖR± w÷qwi s KvgwU (wGmm):

- cÖKí ev̄ evqb Kv̄R wbt̄ Rbv I ZÉveav̄tbi Rb̄ RvZxq chf̄q GKwU cÖR± w÷qwi s KvgwU _vKte |
- ṽvbxq mi Kvi wefv̄Mi miPe c`waKvi etj D³ KvgwU i mfv̄cWZ nteb |
- RvZxq chf̄q Gj wRGmnc:2 ev̄ evq̄tbi Rb̄ ṽvbxq mi Kvi wefv̄Mi GKRB AvZwi³ miPe RvZxq cÖKí cwi Pvj t̄Ki (Gbw̄cW) `wqZj cvj b Ki teb |
- ṽvbxq mi Kvi wefv̄Mi h̄j/MmiPe/ Dcm̄Pe (BDw̄c/AvWU/gwbUwi s I gj`vqb) cKt̄i i t̄dvKvj c̄t̄qU wnmv̄te cÖKí ev̄ evq̄tbi Kv̄R mrvqZv Ki teb |
- evsj v̄`k mi Kv̄t̄i i Dcm̄Pe chf̄qi `β Rb KḡZ̄Dc-cÖKí cwi Pvj K (wW̄cW) wnt̄m̄te RvZxq cÖKí cwi Pvj Kt̄K cÖKí ev̄ evq̄t̄b mrvqZv Ki teb |
- RvZxq ṽvbxq mi Kvi Bbw̄÷wUDU (GAvBGj wR) `¶Zv ew̄xgj K Kv̄h̄t̄g mgš̄q mvab Ki te |

8.2.2. tRj v chf̄q: tRj v mgš̄q KvgwU (wW̄m̄m):

gv̄w chf̄q t̄`t̄ki mKj BDwbq̄b cwi l̄` mdj fv̄te Gi ev̄ evqb, gwbUwi s Ges cÖqvRbxq w̄ K wbt̄ Rbv cÖv̄tbi Rb̄ t̄`t̄ki mKj tRj vq tRj v cÖkvm̄t̄Ki t̄bZt̄Zj wbḡe/cfv̄te tRj v mgš̄q KvgwU (wW̄m̄m) MVb Ki t̄Z nte |

- | | |
|--|------------|
| 1) tRj v cÖkvm̄K | mfv̄cWZ |
| 2) tRj vi mKj Dc̄t̄Rj v cwi l̄` t̄Pqvi ḡvb | m`m` |
| 3) tRj vi mKj Dc̄t̄Rj v wbēf̄x Aw̄d̄m̄vi | m`m` |
| 4) tRj vi cÖZ`K Dc̄t̄Rj v t̄`t̄K GKRB fv̄Bm̄ t̄Pqvi ḡvb
(chf̄qμwgKfv̄te) | m`m` |
| 5) tRj vi cÖZ`K Dc̄t̄Rj v t̄`t̄K GKRB BDw̄c t̄Pqvi ḡvb
(chf̄qμwgKfv̄te) | m`m` |
| 6) cÖZ`K Dc̄t̄Rj v t̄`t̄K GKRB bvi x BDw̄c m`m` (chf̄qμwgKfv̄te) | m`m` |
| 7) tRj v chf̄q msw̄k̄e-mi Kw̄i `B̄t̄i i c̄äv̄b (ṽvbxq mi Kvi cÖKŠkj
Aw̄a`Bi, Rb̄`v̄` cÖKŠkj Aw̄a`Bi, Kw̄l, w̄k̄¶v, ṽv̄` I cwi evi
cwi Kí bv, mgvR t̄mev, weAvi w̄w̄ve Ges tRj vq KḡZ̄ Ab̄` t̄Kv̄t̄bv
i`ZcȲns̄`vi tRj v chf̄qi `Bi c̄äv̄b) | m`m` |
| 8) tRj v cÖkvm̄b KZ̄R̄ ḡt̄bv̄xZ Gbw̄RI cÖZ̄w̄wa Ges ṽvbxq mi Kvi
we l̄t̄q Aw̄f̄Á/Av̄M̄h̄x MY`ḡvb` e`w̄³ (3-5 Rb) | m`m` |
| 9) Dccwi Pvj K, ṽvbxq mi Kvi | m`m`-m̄iPe |

Wwmmwōi Kvhēij

- Dccwi Pvj K, ṽbxq mi Kvi KZR cō Ē wṽḡgi AMMwZ cōZte`b chēij vPbv Ges Gj wRGmnc:2- ev`evqṽbi AMMwZ cwi exēY;
- tgšij K t_vK eivī Ges `ēZv wfwĒK eivīi Avl Zvq wṽg/tmev cōvṽbi bxwZ cēqṽ/wPwYZKiY I ev`evqṽb cōqvRb Abhvqx DcṽRjv I BDwqṽb cwi l`mgṽK w Kwbṽ`kṽv I civgk`cōvb;
- tRjv chēiq cKī mspvš-AvcwĒ/AwftṽM wṽūwĒKiY Kvhēiq Z`viwK Ges cKṽi A`e`envi/wewRwmm Gi wmvš/BDwqṽb cwi l`i cKī/wṽg e`e`vcbv m`uṽK`wefbēMōci `vṽqi Kiv AwftṽM/AvcwĒ wṽtq Avtj vPbv Kiv I wṽūwĒZ w Kwbṽ`Rbv cōvb Kiv;
- Dccwi Pvj K, ṽbxq mi Kvi KZR cō Ē cōZte`ṽbi „i“ZcY`elq`ṽtjv chēij vPbv Ges BDwC Acvṽkṽj g`vṽtqj I ṽbxq mi Kvi (BDwC) AvBb 2009 Abhvqx cōqvRbxq wmvš-MōY;
- BDwqṽb cwi l`mgṽK mgq gṽZv mnvqZv cōvṽbi Rb` DcṽRjv chēiqi `Bi mgṽK cōqvRbxq wṽ`Rbv cōvb;
- BDwqṽb cwi l`i mēgZv ewx Ges wṽixējv Kvhējgmn Gj wRGmnc:2- mskē-Ab`vṽ`KgRvṽĒi mgšq mvab|

tRjv mgšq Kwgw cōZ 6 gvṽm AšZ GKevi mfv Kite; Zte, mfvwZ Ri`wi cōqvRṽb GKwaK mfv Avnṽvb KiṽZ cviṽeb| tRjv mgšq Kwgw mfv Abṽvṽbi Rb` m`m`-mṽPe mKj m`m`K AšZ GK mṽv AvṽM wj wLZ tṽwUk cōvb Kiṽeb| mKj tRjv m`ti A`ev Kwgw wmvš-Abhvqx tKvṽbv GKw DcṽRjv cwi l` Kvhēj q Kwgw mfv AbṽōZ nṽeb| mfv AbṽōZ nṽqvi 15 Kvhē eṽmi gṽa` mfv KvhēeiYx mskē-mKj ṽK Ges ṽbxq mi Kvi wfvṽM tēōY KiṽZ nṽeb|

8.2.3. DcṽRjv chēiq: eK MōU tKv-AwW`ēkb Kwgw (wewRwmm):

gvW chēiq ṽṽki mKj BDwqṽb cwi l` mdj fṽte Gi ev`evqṽ Ges h_vh_fṽte Zv gwṽUwi s-Gi Rb` ṽṽki cōZw DcṽRjv q wṽgējcfṽte eK MōU tKv-AwW`ēkb Kwgw (wewRwmm) MVb KiṽZ nṽeb:

DcṽRjv wbeṽx Awcṽvi (BDGbI)	mfvwZ
DcṽRjvi Aaxb`mKj BDwqṽb cwi l`i tPqvi g`vb	m`m`
BDwqṽb cwi l` t_vK eivīi e`vsK A`vKvDṽU cwi Pvj bvKvi x gwjv	m`m`
BDwqṽb cwi l` m`m`	
wfwj tṽmvBwU/e`wṽLvṽZi (cōBṽFU tṽ±i) m`m`mn DcṽRjv	m`m`
wi tṽmvUṽgi (BDAvi wU) m`m`MY	
DcṽRjv mnKvi x cōKšj x, Gj wRBwW	m`m`-mṽPe

* DcṽRjv cwi l` tPqvi g`vb I Dccwi Pvj K ṽbxq mi Kvi wṽkl fṽte AvgṽšZ AwZw_wṽtṽte wewRwmm mfvq Dcw`Z_vKṽeb|

weRimim-Gi Kvhfej :

weRimim wbtgeWYZ we q,tj vtZ BDwbq cwi l` mgntK ci vqk⁹ mnvqZv w te:

- K) 5 eQi tggw` cwi Kí bv cYqb;
- L) w`dgi Kwí Mwi I Awl_R m`te`Zv gj`vqb;
- M) weRfboms`vi m½ mgšq I Zvt` i mnvqZv wvōZKiY;
- N) BDwbq cwi l` mgnti gta` Ges DctRj vi m½ Z` weibgq wvōZKiY;
- O) DctRj v cwi l` ev Ab`vb` ms`vi gva`tg cwi Kwí Z ev ev`ewqZ w`dgi t`f`f`f` AwfbaAbjfc bv nI qvi we qW wvōZKiY;
- P) mvgwRK I cwi tekMZ w`K t`tK h_vh_ mZKZv Aej`ab Ges mvgwRK I cwi tekMZ mj`fvi cōZcvj b wvōZKiY;
- Q) GwWic I evfRU ev`evqtb w`i KZ j`f` AR`bi Rb` mweR AMWZ gj`vqb;
- R) DctRj v ch`q mgšq I/A_ev n`f`f`f`ci cōqvRb i tqtQ Ggb Bmj wetePbvq tbi qv;
- S) BDwc I DctRj vi m`f`gZv ewx I wk`f`v`g`j`K KgRv`f`Ei mgšq mvab I ZivšZ Kiv Ges;
- T) `f`Zv gj`vqb Pwn`v Abhvqx`f`Zvi gvb Dbqb|

weRimim cōZ wZb gvfm AšZ GKevi mfvq emte| weRimim Gi ewl`R Dbqb cwi Kí bv I mgšq mfvq wi tmvm`cvm`b wntmte AskMhY Kivi Rb` DctRj vq we`gvb weRfboms`vtK (thgb: wk`f`v, `f`v` BZ`w) AvgšY RvbvtZ cvi te| cōqvRtb, weRimim Gi mfvciw AwZwi³ weRimim mfv AvnYvb Ki tZ cvi teb|

8.2.4. I qW⁹KwguW (WieB-im):

- I qW⁹ch`qi cKvk` mfv Abjvb Kti I qW⁹KwguW MVb Ki tZ nte |
- KwguWi m`m` msL`v nte 7 Rb|
- msiké-I qW⁹m`m` ev msi`f`f`Z Avntbi gunj v m`m` nteb KwguWi AvnYvqK|
- BDwc m`m` `β Rb|
- `g` wk`f`K GKRb|
- `vbxq mgvRtmeK `β Rb (GKRb bvix I GKRb cj`I)|
- GbwRI / m`k`xj mgv`f`Ri cōZwvva GKRb|
- gY³thv`v/gY³thv`vi mšvb (cvi qv bv tMj` GKRb mvavi Y bvMwi K)|
- I qW⁹KwguWi Kgct`f` 2 Rb gunj v m`m` nteb |
- tKv`bv I qW⁹KwguWi m`m` w`g` ZÉyeavb KwguWi m`m` nZ cvi teb bv|
- m`tm`i ga` t`tK KwguW KZK gtbvbxZ GKRb m`m`-m`Ptei `wqZi cvj b Ki teb|

- msiw¶Z Avmtbi gwnjv m`m`MY Kgc¶¶ 3wJ I qvW©KwguJi AvnYvqK nteb| GKRb gwnjv m`m`, Zui wbe¶¶bx Gj vKvq, cvjvµtq 3wJ I qvW©KwguJi AvnYvqK nteb|
- I qvW©m`m`e;` KZK AvtqwrZ I qvW©ch¶¶qi c¶Kvk` mfv t_¶K Ab`vb` m`m`¶`i Gj vKvi Rbmavi Y g¶bvbxZ Ki teb|
- tKv¶bv e`w³ GKB mvt_ GKwJi tenk I qvW©KwguJi AvnYvqK/mfvwZ n¶Z cvi teb bv|
- m`m`¶`i ga` t_¶K KwguJ KZK g¶bvbxZ GKRb m`m`-m¶¶tei `wqZj cvj b Ki teb|

WweÐ-wmØi `wqZj I Kv¶¶ej :

- I qvW©mfv gva`tg `vbxq ch¶¶qi cwi Kí bv c¶¶qb Kv¶¶ig Ges RbAskMh¶¶Yi gva`tg D³ cwi Kí bv c¶¶qtb mnvqZv Kiv|
- Ab¶¶gw` Z w`g ev`evqb Kiv|
- msiw¶-I qvW©_vK eiv¶¶i Avl Zvq wKv`vi KZK ev`evqbraxb w`g_¶jv wboqgZ ZÈyavb Kiv|
- k¶¶Nb Kv¶¶Ri t¶¶¶¶ `vbxq k¶¶K wbtqvM wbwØZ Kiv|
- mi vmi µq c×wZ A_ev `ic¶¶i gva`tg µq c×wZ Ab¶¶i Y K¶¶i gvjvgj µq Kiv/w`g ev`evqb Kiv|
- w`¶gi mvgwRK I cwi ¶ekMZ c¶¶ve hvPvBKi Y|
- cwi ¶ek Ges mvgwRK evQvBKi Y (BGmGgGd) Ges BGmGgG¶¶di wiv¶¶D dg© `Zwi |
- Ací GKwJ µq KwguJi `i Kvi Av¶¶Q wKbv tm mspµvš-wm×vš-Mh¶¶Y|
- mi eivnKvi x/thvMvb`vZvi wbuKU t_¶K cØ È µq Av¶¶ k/Kg¶¶` k Ab¶¶vqx `è`mvgM¶¶/tmevmgn e¶¶S tbi qv|
- mKj µ¶¶i wj, fvDPvi, gv÷v i¶¶ij BZ`w` msi¶¶¶Y Kiv Ges BDwqcb cwi I `¶K AwWU Ges Ab`vb` Kv¶¶¶¶gi Rb` HmKj KvMRC¶¶ cØ vb Kiv|
- GOrv¶ BDwqcb cwi I ` KZK cØ È Ab`vb` `wqZj cvj b Kiv|

w`g ev`evq¶¶i Rb` WweÐ-wm th me c×wZ Ab¶¶i Y Ki te:

c×wZ 1: hv` h¶¶_w¶¶Z g¶¶b nq, 500,000/- (civ j ¶¶) UvKvi Kg e`q m`úbæk¶¶Nb w`g I qvW©KwguJi mi vmi ev`evqb Ki ¶Z cvi te| GB t¶¶¶¶ I qvW©KwguJi `wqZmgn wbe¶¶fc:

- BDwqcb cwi I ` Zv¶`i th Ab¶¶gw` Z w`g w`¶¶¶Q Zvi cwi Kí bv I ev`evqb Kiv|
- c¶¶¶j Z evRvi `¶¶i `vbxq k¶¶K¶¶i mvt_ mi vmi Pw³ Kiv|

w̄-g ZĒyeavb KugwU wbgwj wLZ `wqZmgā cvj b Ki te :

- Abt̄gw` Z w̄-g kZĒw̄j Abt̄hvqx ev̄-evqbKv̄t̄j Kv̄t̄Ri gvb, cwi gvY I mgqm̄xv wK Av̄t̄Q wK bv Zvi w̄bqwgZ gw̄bUwi s Kiv|
- wKv`v̄t̄i i w̄bqwgZ Kv̄RKt̄g[Ⓜ]RvM `w̄ó i vLv (Kv̄t̄Ri gvb, KvR mgqgZ nt̄`Q wK bv, BZ`w̄`);
- cwi ex̄||YKv̄t̄j t̄Kv̄t̄bv Ĩ`wU cvl qv t̄M̄t̄j m̄st̄kvāt̄bi Rb` I qvW[Ⓜ]KugwU t̄K ci v̄gk[Ⓜ] t̄`I qv| Zviv t̄Kv̄t̄bv e`e`v M̄h̄Y bv Ki t̄j w̄j wLZfv̄t̄e BDw̄bqb cwi I` t̄K Rv̄b̄t̄bv Ges BDw̄bqb cwi I` I hw̄ t̄Kv̄t̄bv e`e`v M̄h̄Y bv K̄t̄i Zv̄t̄j w̄j wLZfv̄t̄e wewRv̄m̄m- t̄K Rv̄b̄t̄bv|
- I qvW[Ⓜ]KugwU w̄-g wWRvBb/bKkv I c̄0`w̄j Z e`qm̄xvi ḡt̄a` h_vh_ gvb eRvq ti t̄L ev̄-evqb K̄t̄i t̄Q wK bv, w̄-g ZĒyeavb KugwU nt̄Z Zvi Qv̄ocĪ t̄`I qv| GB Qv̄ocĪ cvevi ci BDw̄bqb cwi I` t̄P̄t̄Ki gva`t̄g mgv̄β KvRw̄U i ḡj` cwi t̄kva Ki te|
- Kv̄h̄t̄` k/μq Av̄t̄`k ch̄t̄j vPbv Kiv|
- `vbxq Ab̄j vb msM̄h̄|
- mvgw̄RK I cwi t̄ekMZ Ae`v ch̄t̄j vPbv Kiv|
- ev̄-evqb Kv̄t̄Ri gvb I Gi c̄f̄ve m̄āú̄t̄K[Ⓜ]m̄f̄vi gva`t̄g ep̄Ēi Rb̄t̄M̄v̄ō̄x̄t̄K Rv̄b̄t̄bv|
- GQv̄ov̄l BDw̄bqb cwi I` KZĒ c̄0`Ē Ab̄`vb` `wqZj cvj b Kiv|
temieKw̄i wKv`vi KZĒ w̄-g ev̄-evqbKv̄t̄j w̄-g m̄j̄cvi w̄f̄kb KugwU mRvM `w̄ó i vL̄te| th mKj w̄-g, w̄-g m̄j̄cvi w̄f̄kb KugwU ZĒyeavb Ki t̄Q tm̄_w̄j i Pw̄³, Pev̄š- wWRvBb/bKkv Ges c̄0`w̄j Z e`t̄q̄i K̄w̄cm̄n Kv̄h̄t̄` t̄ki K̄w̄c BDw̄bqb cwi I` w̄-g m̄j̄cvi w̄f̄kb KugwU t̄K mieiv̄n Ki te|

I qW ⁹ KigU ⁱ mfv ^c WZ I m`m ^ˆ i ˆv [¶] i			
mfv ^c WZ	bvg :	ˆv [¶] i :	Zwi L :
m`m ^ˆ	bvg :	ˆv [¶] i :	Zwi L :
	bvg :	ˆv [¶] i :	Zwi L :
	bvg :	ˆv [¶] i :	Zwi L :
	bvg :	ˆv [¶] i :	Zwi L :
	bvg :	ˆv [¶] i :	Zwi L :
	bvg :	ˆv [¶] i :	Zwi L :
w`g m ^c vi wFkb KigU ⁰ i mfv ^c WZ I m`m ^ˆ i bvg I ˆv [¶] i			
mfv ^c WZ	bvg :	ˆv [¶] i :	Zwi L :
m`m ^ˆ	bvg :	ˆv [¶] i :	Zwi L :
	bvg :	ˆv [¶] i :	Zwi L :
	bvg :	ˆv [¶] i :	Zwi L :
	bvg :	ˆv [¶] i :	Zwi L :
	bvg :	ˆv [¶] i :	Zwi L :
	bvg :	ˆv [¶] i :	Zwi L :

8.4. Avcw^E ev Awf[†]h^vM w^bˆu^wE e^e-v

cK^í evQvB, cwi K^í bv I ev⁻evqb, μq, cwi tek I migw^RK w^bˆ Rbv ms^μvš-Awf[†]h^vM I Avcw^Emg[†] Ges Acivci th tKv[†]bv D^mZ w^elq mgv[†]bi Rb^ˆ w⁰Zxq Gj w^RGmuc⁰i Avl Zvq Avcw^E/ Awf[†]h^vM w^bˆu^wEKiY c×wZ c⁰Z⁰v Kiv nte|

Avcw^E/Awf[†]h^vMi ms^Áv :

- Avcw^E/Awf[†]h^vM (w^j wLZ, tgšwLk ev Btj ±[†]bK) ntj v cK[†]i i Kv[†]g A⁻ev BDw^bqb cwi l[†]i c⁰Zw^bva, cK^í ms^wké- KgRZ[†]KgP^vix, w^etklÁ, Ask^xvi Ges w^Kv⁻vi mn hviv mi v^wwi cK^í Kv[†]R m^vqZv Ki[†]Q A⁻ev Gi ev⁻evqb Kv[†]Ri m[†]_ms^wké-Z[†]i Kv[†]g Awf[†]h^vMKvi xi w^eklmg[†]Z AvB^vb[†]h^vqx m^wK bq|

- AwfthvMKvix/MY e'w³MZfvte msNeä ev ¶wZMÖ -bv ntqI GKRB bvMwi K wntmte KZp¶¶i bRti AvbtZ cvtib|
- mKj aitbi AwfthvMi ¶¶¶¶ Gj wRGmnc:2 KZp¶¶ cÜB ¶¶Kvi I cÜqvRbxq e'e~v MÖY Kiteb|

AvciE/AwfthvM wöüwEi bwxZgvj v:

- AwfthvM `wLjtj i c×wZ: wj wLZ, tUwj tcvb, B-tgBj A_ev cKti i I tqemvBtUi gva'tg AwfthvM `vtqi Kiv hvte| tKvfbv e'w³ ev RbtMvöx mivmwi ev cÜZövtbi gva'tg AwfthvM DÌ vcb KitZ cviteb|
- AwfthvM `wLjtj i c×wZ mæútK[®]Rb AewZKiY: wZxq Gj wRGmncÖi I tqemvBU, BDwbq cwi l` i Acvtikb g'vbgvj, tetikqvi, BDwbq cwi l` tbnwK tewW[®]I thLvfb RbmgyMg tewk nq tm `vtb Ges BDwbq cwi l` I lqvW[®]ch¶¶qi mfvi gva'tg AewZ Kiv hvte|
- wbitc¶¶Zv: tRjv ch¶¶q Dccwi Pvj K `vbxq mi Kvi AwfthvM wöüwE e'e~vi cäv nteb Ges AwfthvM wöüwE e'e~vq mvaviti cÜekwaKvi I wbitc¶¶Zv wvöZ Kiteb| wZwb BDwbq cwi l` GKwJ `vaxb AwfthvM wöüwE KiY KwguU MVtb mnvqZv Kiteb| G KwguU wZb m`m` tewkó nte| mgv¶Ri mæ§wvZ Ges wbitc¶¶ e'w³eM[®]G KwguU m`m` nteb, thgb- `¶j i cäv w¶¶K, Aemi cÜB wePvi cvZ, Aemi cÜB mi Kwvi KgRZ[®], AvBwb mnvqZv cÜvbKvix cÜZövb ev GbwRI |
- `wqZkxj Zv: AwfthvM wöüwE KiY KZp¶¶ AwfthvM cÜBi `ß mßvti gta` Gi cÜB ¶¶Kvi Kiteb| BDwbq cwi l` AwfthvM wöüwE KiY KwguUtK AwfthvMi cÜvYw` msMö I ci¶¶v-wbix¶¶vi Rb` 30 Kvhp em chS-mgq cÜvb KitZ cvti | mvavi Yfvte 60 Kvhp etmi gta` AwfthvM wöüwE KitZ nte|
- Z_` cKvk I `^QZv: tRjv mnvq¶Ki mnvqZvq Dccwi Pvj K `vbxq mi Kvi Ges BDwbq cwi l` mKj AwfthvMi bw_, djvdj Ges AwfthvM wöüwEi cÜµqv Ges mgq mæútK[®]we~wii Z Z_` msi ¶¶Y Kiteb| cKti i I tqemvBtU eQti `ß evi G msµvS-Z_`w` i msi¶¶Bmvi cÜkß Kiv nte|
- bvg cKvk bv Kiv I tMvcbxqZv: AwfthvM `wLj Kvix bvMwi K hw` bvg bv cKvk KitZ Abti va Kti Zvtj I tqemvBU I wguWqvi gva'tg Zvt`i bvg Rbmgt¶¶ cKvk Kiv nte bv| AwfthvM wöüwE Kjv xb mgtq tMvcbxqZv i ¶¶v Kiv nte|
- bgbxqZv: cKti ev `evqbKvj xb mgtq cÜB w¶¶Lb Ges AwfÁZvi gva'tg th c×wZ Ges cÜµqv D[™]Z nte ZvtK MÖY Kivi ¶¶¶¶ AwfthvM wöüwE KiY e'e~v bgbxq _vKte|

*G AwfthvM wöüwE KiY e'e~v tKvfbv msNeä e'w³¶K Av`vj tZ hvI qvi AwaKvi t_¶K wvZ ivLtZ cvite bv|

AvcwĒ/AwfþhvM wb[®]úwĒKiY cĉµqv:

- Dccwi Pvj K [˘]vbxq mi Kvi tRjv chĉq AvcwĒ/AwfþhvM wb[®]úwĒ e[˘]e[˘]vi cĉvb nteb| Zvi Awctm GKwU ŐGj wRGmwc:2 AwfþhvM ev. Ő i vLv nte Ges tRjv mnvqþKi mnvqZvq Dccwi Pvj K [˘]vbxq mi Kvi mKj AwfþhvM e[˘]e[˘]vcbv wĉZ Ki teb|
- Dccwi Pvj K [˘]vbxq mi Kvi cĉZ[˘]K gvþm ŐGj wRGmwc:2 AwfþhvM ev. Ő Lj teb Ges AwfþhvMmgn msukĉ-BDwbqb cwi l[˘] i AwfþhvM wb[®]úwĒKiY KvgwUj wBKU tcĉY Ki teb| BDwbqb cwi l[˘] i AwfþhvM wb[®]úwĒKiY KvgwU mi vmi tKvþv AwfþhvM MĉY Ki te bv| AwfþhvMmgn WvKþhvM, B-tgBj A_{ev} d[˘]v[˘] i gva[˘]tg A_{ev} Dccwi Pvj K [˘]vbxq mi Kvi i Awctm i wĉZ ŐGj wRGmwc:2 AwfþhvM ev. Ő eivei tcĉY Ki tZ nte|
- hw[˘] AwfþhvMmgn wc, ssc A_{ev} BDwbqb cwi l[˘] i wei[˘]t^x nq Zvntj Dccwi Pvj K [˘]vbxq mi Kvi tm_{tjv} gvmK wfvĒtZ msukĉ-AwfþhvM wb[®]úwĒKiY KvgwUj wBKU tcĉY Ki te| AwfþhvM wb[®]úwĒKiY KvgwU AwfþhvMmgn wb[®]úwĒi Rb[˘] cĉZ[˘]K gvþm GKei [˘]eV[˘]tK wgvj Z nteb Ges Gi wv^xvšmgn meŃ[˘]šZ n[˘]tZ nte| AwfþhvM wb[®]úwĒKiY KvgwU AwfþhvMmgn[˘]ni wel[˘]tq mfvq Avtj vPbv Ki te| Ges AwfþhvMmgn RwoZ cĉĉtqi g[˘]ta[˘] Avt[˘]v[˘]ki gva[˘]tg wb[®]úwĒ Kivi tPov Ki te| hw[˘] AwfþhvM wb[®]úwĒKiY KvgwU GtZ e[˘]_˘nq Zvntj AwfþhvMmgn i bwi wei Ymn Dccwi Pvj K [˘]vbxq mi Kvi eivei tcĉY Ki te|
- Dccwi Pvj K [˘]vbxq mi Kvi cĉZ Qq gvm Aš[˘] AwfþhvM wb[®]úwĒKiY ms[˘]vš[˘]-bw_{cĪ} chĉj vPbv Ki teb Ges AgxvšwZ AwfþhvMmgn wb[®]úwĒ Ki teb| hw[˘] wZwb tKvþv AwfþhvM wb[®]úwĒ Ki tZ mg_˘˘bv nb tm[˘]ĉĉ[˘]Ī D³ AwfþhvM RvZxq cĉK[˘] cwi Pvj K Ges Dc-cĉK[˘] cwi Pvj K (gvV e[˘]e[˘]vcbv) I Ab[˘]v[˘] msukĉ[˘] Bimg[˘]n tcĉY Ki teb|
- M[˘]pxZ Ges wb[®]úbemKj AwfþhvMmgn wĉZxq Gj wRGmwcĉi l[˘]tqemvB[˘]U i gva[˘]tg cĉKvK Kiv nte| GmKj AwfþhvM Dccwi Pvj K [˘]vbxq mi Kvi KZ[˘] msKw[˘]Z Ki teb Ges Qq gvm Aš[˘] RvZxq cĉK[˘] cwi Pvj tKi wBKU chĉj vPbv Ges l[˘]tqemvB[˘]U cĉKvK Kivi Rb[˘] tcĉY Ki teb| hw[˘] cĉqvRb nq, G Z_˘w[˘] dtj vAv[˘]ci Rb[˘] wĉZxq Gj wRGmwcĉi GgAvBGm-G msi[˘]ĉY Kiv nte|
- AwfþhvMmgn i bwi th tKvþv chĉq msNeä e[˘]w³/e[˘]w³e[˘]tM[˘] m[˘]v_˘ M[˘]pxZ wv^xvš[˘]-BDwbqb cwi l[˘] i Rb[˘] eva[˘]Zvgj K nte|

8.5. cĉZte[˘] b cĉZ I bw_{fj³}KiY

- BDwbqb cwi l[˘] [˘]TgvmK wfvĒtZ Dccwi Pvj K [˘]vbxq mi Kvi i wBKU AvcwĒ/AwfþhvM wb[®]úwĒKiY KvgwU i bwi I wv^xvš[˘]ni wel[˘]tq cĉZte[˘] b tcĉY Ki te|

- tRjv mrvqtki mrvqZvq BDwbq cwi l` i AvciE/AwfthvM wb®úwEKiY Kugw Ges Dccwi Pvj K`vbxq mi Kvi AvciE/AwfthvMi i`bwb I AwfthvMKvixi c`q A_ev wec`q mrvš-Mb`Yi Kvi Ymgn msi qY Ki`te|
- Dccwi Pvj K`vbxq mi Kvi Ges BDwbq cwi l` mKj wb®úw I Awb®úw AvciE/AwfthvMi Z`mgn mi Kvi, AwUi I Dbq Ask`vi` i ch`j vPbvi mjeavi Rb` w`g dvB`j msi qY Ki`teb/Ki`te|

8.6. w`g evQvB, ev`evqb, ZE`yavb I cwi ex`qY c`m`qv
w`g ev`eqtbi c``q

c``q	fugKv MhYKvi x	D`i k`
w`g ev`evqb c`wZ mfv	I qW®Kugw	• I qW®Kugw Ges Dckvi`fvMxi m`½ w`g ev`evqtb i Rb` c`i w`K Av`j vPbv I `wqZ`eEb Kiv
w`g wfvEK Kg® cwi Kí bv c`vqb	I qW®Kugw / w`g m`cvi wfk b Kugw	• w`g wfvEK Kg®cwi Kí bv c`vqb Kiv thLv`b gvm Ab`hvq Kiv`p`g D`j E`_vK`te (bgbv dig-1)
mq msvš-Pv³ m`ú`b	`i c` gj`vqb Kugw	• tU`vi ev mq msvš-c`m`qv, `i c` gj`vqb Ges BDwbq cwi l``tK Pv³ Ki`Z Ges AwM`g A`®MhY Ki`Z mrvqZv Kiv
Kwi Mwi Ges`vbxq ch`e`qY	I qW®Kugw w`g m`cvi wfk b Kugw	• Kv`Ri gvb w`v`Z Kiv • w`g ev`evqtb i mgq c`qvRbxq Kwi Mwi mrvqZv w`v`Z Kiv
cvl bv cwi`tkv`ai c`Z`qbc`I	w`g m`cvi wfk b Kugw	• w`g ev`evqb tk`l wej cwi`tkv`ai Rb` c`Z`qbc`I t` I qv
cwi Pvj bv Ges i`qYv`te`qY	I qW®Kugw w`g m`cvi wfk b Kugw RbMY	• cieZ`pav`c AwR`Z AeKvW`v`g I tmevmgn m`wKfv`te cwi Pvj bv Ges i`qYv`te`qY`i D``vM tbi qv
c`Z`te`b`Zwi	I qW®Kugw w`g m`cvi wfk b Kugw	• mi vmi DcKvi`fvMx`i`i w`tq I qW® Kugw c`Z g`v`m w`g ev`evqb AM`hZ msvš-gvmK AM`hZi c`Z`te`b`Zwi Ki`teb (tUwej -2) • w`g ev`evqb tk`l w`g ev`evqb msvš-c`Z`te`b`Zwi Ki`teb bgbv dig-2)

GQrovI

- BDwbq b cwiI` ^TgwmK mfvi AvtqvRb Ki te Ges tmLv tb w`g ev`evqt bi AMMwZ Dc`vcb Ki te|
- GKBFv te I qvW[®]ch[®]q Ivb[®]wmK mf v n te Ges w`g ev`evqt bi AMMwZ RbMYtK Rvbv tZ n te| G mfvi Kv h[®]ei Yx Ivb[®]wmK c[®]z te` t b msh[®] Ki tZ n te|

8.7. w`g ev`evqb e`e`vcbv

w[®]Zxq Gj wRGmwc[®]i c[®]Ki vaxb w`g ev`evqb Kivi Rb` GKwJ BDwbq t bi c[®]z wJ I qv[®]W[®] GKwJ K[®]i I qvW[®]Kw[®]J (WC) Ges w`g Z[®]E[®]yeavb Kw[®]J (SSC) bv t g ` BwJ Kw[®]J _vK[®]te| I qvW[®]ch[®]q, c[®]K[®]v[®]k` mf vq mK[®]t[®]j i AskM[®]h[®]t[®]Y I qvW[®]Kw[®]J (WC) Ges w`g Z[®]E[®]yeavb Kw[®]J (SSC) Mv b Kiv n te| I qv[®]W[®] Rbmvavi Y`^QZvi w[®]f[®]v[®]E[®]t[®]Z Kw[®]J i m`m[®]t[®] i g[®]t[®]b[®]v[®]x[®]Z Ki te b| GKB e[®]w[®] GKB mv t_ w`g Z[®]E[®]yeavb Kw[®]J Ges I qvW[®] Kw[®]J-i m`m[®] n tZ cv i te b bv| ÷`w[®]E[®]s Kw[®]J _w[®]j I w`g ev`evqt b mnvqZv c[®]0 vb Ki te|

w`g w[®]f[®]v[®]E[®]K Kg[®]cwi K[®]i bvi QK (dig-1)

I qvW[®]bs w`g w[®]k[®]t[®]i v bvg

w`g ev`evqb mgqK[®]j t[®]_t[®]K

w`g ev`evqb c[®]x[®]w[®]Z : I qvW[®]Kw[®]J[®]i gva[®]t[®]g/tU[®]E[®]v[®]t[®]i i gva[®]t[®]g

µg	Kv h [®] µg	1g gvm	2q gvm	3q gvm	4_ gvm	5g gvm	w [®] qZ [®] c [®] 0 [®] B e [®] w [®] 3
1							
2							
6							
7							

I qvW[®]Kw[®]J[®]i mf v c[®]w[®]Z i bvg I`[®]v[®]t[®]i

Կրթության համակարգի մեթոդական ցուցանիշներ (մաս-2)

Իր արժեքները արժեքները
 Կրթության համակարգի մեթոդական ցուցանիշները ցուցանիշները

Կրթության համակարգի մեթոդական ցուցանիշները : Իր արժեքները
 ցուցանիշները

Ընթացք	Կրթություն	Երկրորդ	ԱՐԾ/ԱՄՈՒՀ	Երկրորդ Առարկա ԱՐԾ/ ԱՄՈՒՀ ընդհանուր Զննման Կրի
1				
2				
3				
4				
5				
6				
7				
8				
9				
10				
11				
12				
13				
14				
15				
16				
17				

Կրթության մեթոդական ցուցանիշները մեթոդական ցուցանիշները

9. Կրթության համակարգի մեթոդական ցուցանիշներ

9.1. Կրթության համակարգի մեթոդական ցուցանիշներ

Կրթության համակարգի մեթոդական ցուցանիշները մեթոդական ցուցանիշները
 Կրթության համակարգի մեթոդական ցուցանիշները մեթոդական ցուցանիշները
 Կրթության համակարգի մեթոդական ցուցանիշները մեթոդական ցուցանիշները
 Կրթության համակարգի մեթոդական ցուցանիշները մեթոդական ցուցանիշները

- o th tKvfbv aitbi `tY t_tK `vbxq cwb mieivn e`e`v wbivc` ivLvi Rb` RbMYtK mZK`_vKtZ civgk`te|
- o e,`t`ivcY, cwb `tY wbašY Ges KwI Rvgi Drcev`b `lGZv i`lV Kiv BZ`w` i gva`tg cwi tek Dbq`tbi c`qvm Pvj vte|

mvgvRK mj`lvi Rb` BDubqb cwi l` wbgewY e`e`v MhY Ki te:

- o `wi`^RbMY Zv` i Rvq, ewo Ges Ab`vb` Kgmis`v`tbi DcKiY nvi vq Ggb tKvfbv w`g ev cKt`i ev`evqb t_tK wei Z`_vKte|
- o mi Kwii Lvm Rvq t_tK ewoNi Df`Q` hv`Z bv Ki tZ nq A`ev b`bZg ch`q ivLvi e`e`v wte|
- o e`emv ewYt`R`i Rb` e`eüZ `v`tbi mvg`tbi Lwj RvqMv webó Kiv cwi nvi Ki te|
- o ag`q `vbmgn thgb, Dcmbvj q, Kie`vb, k`kvb, mvgvRK HwZnmKfvte ,i`ZcY`Feb `vcbv BZ`w` `lWZM`-Kiv t_tK wei Z`_vKte|
- o me`havi tYi e`envh`m`u`E thgb, eb-fwg, b`x wej nvi i BZ`w`, hv gvb| Zv` i Rxb RweKvi Rb` e`envi Kti, hv `lWZM`-ntj gvb`li g`g`AvNvZ j v`M Zv e`envi t_tK wei Z`_vKte|

cwi tekMZ ch`j vPbv Ges ev`evqb

K`vUvMwi	cwi tekMZ aib ev K`vUvMwi i weei Y	th me c`t`l`c MhY Kiv nte
M+	AwZ mvgvb` cwi tekMZ c`fve i tq`Q GG me w`g	cwi tekMZ e`e`vcbvi wbi tL Avi tKvfbv cwi tek w`l qK w`tk`Y ev c`t`l`c Gme w`dg c`qvrBv nte bv
M	`f gv`vi cwi tekMZ c`fve i tq`Q GG me w`g	cwi tekMZ c`fve c`l`q` t`l` qvi Rb` cKt`i i MVb KvVt`gvi gta` wbi mbgj K mvavi Y c`t`l`cmgn Ašf` Kiv DwPZ
L	eo aitbi Ges AwKZi RvUj c`fve i tq`Q GG me w`g	Gme w`dgi Rb` GKwU mxwZ cwi tekMZ ch`j vPbvi (Gj BG) c`wZmn w`dgi MVb KvVt`gvi gta` t`wZevPK c`fve wbi m`tb m`cwi kKZ c`t`l`c ,tj v`K Ašf` Kivi c`qvrBv nte
K	G me w`g hv` i m`te` c`fve D`j L`h`M` gv`vi cwi tek S`Ki m`v`_ m`u`K`Z	G aitbi w`g Gj w`RGmuc:2- Gi Avl Zvq Znvej cvl qvi th`M` bq

w`dgi ¶WZKi c`fve w`bim`bi Rb` Ki Yxq c`¶¶c

- I qW`ch¶¶q c`w`eZ w`g`_tj vi m`e` cwi ¶ekMZ Ges mvgw`RK c`fve I c`Zw`µqv m`u`K`gZw`b`gq Kiv |
- thme w`dgi Rb` e`w`³ gwj Kvbvaxb f`wg e`env`ti i c`¶qvRb n`te tmme ¶¶¶¶ R`wgi m`e` `vZv Ges w`e`µZv¶K w`¶yZ Kiv |
- ev`evq`bi Rb` w`be¶PZ w`g`_tj vi ¶¶¶¶, mi Kwii ev e`w`³ gwj Kvbvaxb th ai`¶biB tnvK bv ¶Kb, AwZwi`³ ¶Kv`bv f`wgi c`¶qvRb n`tj, tm`¶¶¶¶ `vbxq RbM`¶Yi m`¶_ Avi I teuk m`ybw`¶ c`ivg`k¶ c`¶qvRb n`te |
- I qW`Kw`gU`mgn ms`k`e`-e`w`³` i m`¶_ w`b`q I qW`ch¶¶q w`g`_tj vi cwi ¶ekMZ I mvgw`RK c`fve m`u`K`Z hvPvB evQvB`¶qi KvRw`U Ki ¶e |
- mi Kwii f`wg ¶_¶K D`¶`Q` nI qvi Ges c`w`eZ w`g`_tj v`Z R`wgi c`¶vb Kivi m`e`bev hv` i i`¶q`Q Zv` i`¶K m`¶_ w`b`q Gme dj v`dj hvPvB Ki ¶Z n`te |
- hvPvB evQvB`¶qi Rb` I qW`Kw`gU`_tj v w`g` m`cvi w`f`kb Kw`gU`i Kwii Mwii m`nvqZv PvB`Z cv`i |
- Gme w`g` m`cvi w`f`kb Kw`gU`¶Z Dc`¶Rjv ch¶¶qi mi Kwii ¶ckvR`x`e` i m`m`c` `vK`¶Z n`te |
- Gj BG`¶i Rb` w`ba¶¶i Z dig c`iY Ki ¶Z n`te Ges `vbxq mi Kvi w`efv`¶Mi cwi ¶ek I mvgw`RK m`j ¶¶v w`el qK c`ivg`k`R G digw`U ch¶¶j vPbv Ki ¶eb |
- `vbxq mi Kvi w`efv`¶Mi cwi ¶ek I mvgw`RK m`j ¶¶v w`el qK c`ivg`k`R GKw`U evrmwii K ch¶¶j vPbv m`u`b`e`Ki ¶eb | mKj Gj BG m`u`K`ch¶¶j vPbv Ges `ePq`¶bi w`f`w`E`¶Z msM`pxZ 10% b`g`bv w`dgi hvPvB evQvB, w`dgi ev`evqb Ges mgw`B c`Z`te` b`_tj vi c`ix¶¶v w`b`ix¶¶v G ch¶¶j vPbv i A`š`f`¶ `vK`¶e |
- AwWU`i iv ms`k`e`-me `w`j j c`¶ ch¶¶j vPbv Ki ¶eb Ges m`j ¶¶v g`j K c`¶¶¶cmg`¶ni h`_v`Zv hvPvB`¶qi Rb` t`gvU w`dgi 10% cwi `k`¶ Ki ¶eb |
- gnw`nmve w`bq`š`K I w`b`ix¶¶K (w`mG`E`Gw`R) Gi Kvh¶¶ q Ges Zv` i ms`k`e`-w`g 10% B`D`w`bq cwi ¶¶ i w`dgi w`b`ix¶¶v Ki ¶e |

dig 1 G : cwi ¶ekMZ I mvgw`RK c`fve hvPvB
 c`Zw`U f`wg-w`f`w`E`K c`K`¶i i Rb` I qW`Kw`gU` Aek`B G dig c`iY Ki ¶e Ges w`g` m`cvi w`f`kb Kw`gU` Zv ch¶¶j vPbv Ki ¶e Ges c`K`¶i i dvB`¶j ivL`te | [f`wg-w`f`w`E`K c`K`¶i n`¶`Q hv ¶Kv`bv f`wgi I ci ev`evqb Kiv n`¶q`Q] thgb : moK, Kwj f`vU`¶tmZi tLvj v I f`M`f`°`b`¶v, feb, Uq`¶j U, bj Ke BZ`w`]

hvpvbtqi Zwi L:

BDwbqtbv bvg: I qvW^{bs} :

†Rj vi bvg : Dc†Rj vi bvg :

I qvW^qKvWU i †Pqvi g'v†bi bvg :

hvpvBKv†j AskMhYKvi x I qvW^q KvWU m`m`†`i bvg :

.....

.....

hvpvBKv†j AskMhYKvi x Rb†Mvôxi Ab` m`m`†`i bvg :

.....

.....

hvpvBKv†j AskMhYKvi x w`g mpcvi wfkb KvWU m`m`†`i bvg, (hiv` _v†K)

.....

.....

Ask K : mavi Y Z`_

1| w`†gi bvg/`vb :

2| w`†gi m†j :

3| w`g th Gj vKvq (I qvW^{ev} I qv†W^p Ask) †mLvbKvi ewm>`viv n†`Q :

□ mK†j B gj avi vi †j vK ev A-b_r-Rb†Mvôx

□ mK†j B b_r-Rb†Mvôx

□ AwaKvsk gj avi vi ev Ab_r-Rb†Mvôx

□ AwaKvsk b_r-Rb†Mvôx

3| w`†gi Avl Zv : □ bZb wlog^q □ Dbq^b □ tgi vG/ms`vi

4| †fSZ Kv†Ri msv[†]†B weei Y :

.....

Ask L : cwi †ekMZ weiq

cwi †ekMZ Ae`v

1| „i“ZcY^ccôKwZK Avevm`†j i Af`š†i †Kv†bv`Lj N†U†Q wK bv

□ niiv □ bv

2| `úkRvZi cZ†ek e`e`v †wZM⁰-†te wKbv (msw[†]†B AvKv†i n†j I cwi †ek e`e`vi

GKwU e`vL`v-w†k†Y BDwbq^b cwi I†`i Rb` mrvqK we†ewPZ †te)

□ niiv □ bv

3| Ryj wbi Rb` Kv†Vi e`envi †te wKbv

□ niiv □ bv

4| †c†U†j wfv[†]†EK Ryj wbi e`envi †te wKbv

□ niiv □ bv

- 5| KxUvbkłKi e'envi iłqłQ wKbv niuv bv
- 6| f-cłoi cwmbi cłvn cwi eZ⁸ ev e'envi nte wKbv niuv bv
- 7| bZb ev cłvbłvY Kiv łmP ev w⁸vk b e'e'v iłqłQ wKbv niuv bv
- 8| łgšmłg eva wbgłYi cłqvRb iłqłQ wKbv niuv bv
- 9| j'wU⁸b, łmcuUK ev cłvbłv⁸vk b e'e'v m⁸ú,³ AvłQ wKbv niuv bv
- 10| eR⁸Drcv' b nte wKbv niuv bv
(łhgb KkvBLvbv, wPwKrmv eR⁸BZ'w')
- 11| Ab'vb' eR⁸hv mvi wntmte e'envi nte wKbv niuv bv AvsłkK

gj'vqb

- 1| Dłj łhM' cwi gvY' łY NUvq wKbv niuv bv
- 2| łłYi aib (1 b⁸łi hw' _vłK) evqy cwmb gwłJ
- 3| łłYi cwi gvY (cłZ gvłm)
- 4| łY cłve μgvšłq evovi m⁸v⁸ebv AvłQ wKbv niuv bv
- 5| eR⁸łdjvi e'e'v iłqłQ wKbv niuv bv AvsłkK
- 6| łłYi cwi YwZ

7| cłZKvi gj' K e'e'v Ges Ab'vb' w⁸el q/gše'

8. cwi łekMZ aib (Enviornmental Category)¹ w⁸ w⁸ G
 cłivq gj'vqb cłqvRb wKbv niuv bv
 m⁸xłgZ cwi łekMZ chłj vPbvi (Gj BG) cłqvRb iłqłQ wK bv niuv bv (cłłg cłiv
 dig e'envi Ki'b)

Ask M: młgvwRK Bmł

- 1| cłw⁸ez w'łgi KvłRi Rb' w⁸e'gvb' vcbvi łfšZ młgvi evBłi fłgi cłqvRb
 iłqłQ wK bv? niuv bv
- 2| DEi 0niwł nłj, cłqvRbxq fłgi eZ⁸v⁸b gwłj Kvbv nł'Q:
 mi Kv⁸i/cvej K (łhme fłg Lvm Ges A_ev hvi gwłj K nł'Q mi Kv⁸i I BDwłqb
 cwi l')
- e'w⁸MZ ev łemi Kw⁸i fłg gwłj Kvbv
- 3| cłqvRbxq fłg hw' mi Kw⁸i nq, Ges G fłg eZ⁸v⁸b łh KvłR e'envi Kiv nł'Q
 Kwł (fłg e'envi Kv⁸i x e'w⁸/cwi evłi i msL'v:)
 evm'vłbi Rb' e'eüZ (emevmKv⁸i x cwi evłi i) ewoi msL'v:
 ewłw⁸R'K e'envi (e'w⁸ i msL'v: ł'vKvłbi msL'v:)

¹ GLvłb cłE K'vUwMniwł w'łgi msl'łBmłłi AšfP KiłZ nte| K'vUwMni G cłKí łjvłZ Dłj łhM' cwi łekMZ
 cłve _vłłZ cłvi | K'vUwMni w⁸ cłKí łjvłZ cłZKj cwi łekMZ cłve młó KiłZ cłvi | GQov, K'vUwMni w⁸
 cłKí łjv nł'Q łhLvłb cwi łekMZ cłve b-bZg, Ges łKvłbv cłZKj ev Kj'vłg K cłve łb|

4| c0qvRbxq fwg temiKwi gwj Kvbvaxb ntj , eZ0vfb fwg th KvitY e'envi Kiv nt"Q

Kw (fwg gwj K/ewoi msL"v:)

emerfmi Rb" e"euZ (Lvbvi/cwi evfi i msL"v:)

ewYwR"K DfI tk" e"euZ (e'emvqxi msL"v: f`vKvfb i msL"v:.....)

5| "ZywaKviwenxb e"u3/cwi evfi i msL"v hviv miKwi fwg t_tK Dt"Qt`i KvitY Ges/A_ev t`"Qvq `vb, 0¶wZc+Y j vtfi weibgtq `vb0 ev Ab" tKvfbv KvitY RweKv nvi vZ cvfi

6| G cKk wK tKvfbv RbtMv0xi RweKv AR0bi Rb" Zvt`i e"euZ tKvfbv m=ut`i e'envfi weN0Uvte niv bv

7| hw AwZwi 3 fwi c0qvRb nq, Zvntj th Dcvq Zv msM0 Kiv nte:

t`"Qvq `vb

¶wZc+Yi weibgtq `vb

Ab"vb" Dcvq (Dtj E-Ki"b)

b7-RbtMv0x m=ut`K AwZwi 3 Z" (tmKkb M0i Zt`i AwZwi 3)

8| cwi tekMZ I mvgwRK cfw hvPvBtq AskM0YKvi x b7-RbtMv0xi m`m" I msMvb_tj vi bvg:

9| w`g Gj vKvq tKvfbv c0vMZ AwfthvM vbi mb e"e`v (wRAvi Gg) AvtQ wK bv?

niv bv

hw `vfk, G wRAvi Gg e"e`v msik0 tKvfbv m`m" cwi tekMZ I mvgwRK cfw hvPvBtq AskM0Y Kti tQ wK bv? niv bv

10| w`dgi Rb" vba¶i Z RigtZ ¶wZM0 -b7-RbtMv0xi AwaKvfi i aib (GKwaK c0hvR" ntZ cvfi) :

AvBbMZ (b7-RbtMv0x e"u3/cwi evfi i msL"v.....)

c0vMZ (b7-RbtMv0x e"u3/cwi evfi i msL"v.....)

miKvfi i m½ BRviv Pw3 (b7-RbtMv0x cwi evfi i msL"v.....)

Ab"vb" (Dtj E-Ki"b)(b7-RbtMv0x cwi evfi i msL"v.....)

11| "Zi Abjvfi , ¶wZM0 -b7-RbtMv0x cwi evi_tj vi wZbvU c0vb A_¶wZK KgKvE nt"Q :

K.

L.

M.

12| b7-RbtMv0x I msMvb_tj v hw` tKvfbv Dt0M cKvk Kti `vfk?

.....

-
-
- 13 | w`dgi mvgwRK dj vdj m`útk`b,RbtMvôxi m`m` I msMVb_s,tj vi avi Yv:
 BwZevPK
 tbwZevPK
 BwZevPKI bq, tbwZevPKI bq
- 14 | mvgwRK c`fve I D`ðtMi t`c`vctU, AwZwi³ c`fve gj`vqb mgx`v cwi Pvj bv
 Kivi c`qvrB i`qtQ wK bv? niw bv
 hw` DËi niw nq, Zvntj w`dgi ev`evqb wcuQtq w`tZ nte |
-

c`ZKvi x (bvg I c`we) :

`v`i : Zwi L :

hvPvB dig ch`j vPvbi ci w`g mpcvi wfkB KugwU wbtPi Ask c`Y Ki`e
 Ask N: w`g mpcvi wfkB KugwU KZ` hvPvB

1. I qvW`KugwU G w`g hvPvB Kti`tQ:
 GKevi `Bevi wZbevi
2. GKe`ti i tewk hvPvB Kiv ntj Zvi Kvi Y:
-
3. G hvPvB di`g c`E Z` hvPvB Kivi Rb` w`g mpcvi wfkB KugwU w`g Gj vKv
 cwi`k` Kti`tQ :
 niw bv
4. G w`dgi mwZ`Kvi A`_B RbtMvôxi AMônaKvi c`Zdij Z ntqtQ:
 niw bv
5. G w`dgi tbwZevPK cwi`tekMZ I mvgwRK c`fve w`el qK w`g Zvij Kv Abymi Y Kiv
 ntqtQ wK? niw bv
6. G di`g c`E Z` mwVK: niw bv
7. G w`dgi e`vcv`i w`g mpcvi wfkB KugwUi g`se`/ch`e`Y:
-
-

di`gi G Ask c`Y Kti`tQb (w`g mpcvi wfkB KugwU m`m` i bvg)

wbgw`wLZ w`g mpcvi wfkB KugwUi m`m`iv Z` hvPvB ch`j vPbvq AskMôY Kti`tQb :

bvg: `v`i I Zwi L

bvg: `v`i I Zwi L

6. w`dgi Rb`Mvxi AMvKvi cZdij Z n`q`Q: niu bv
7. G w`dgi tWZeiPK cwi tekMZ I mvgwRK c`ve w`lqK w`g Zvuj Kv AvmiY Kiv n`q`Q wK? niu bv

cwi tekMZ Bmj

1. hvPvB di`g w`PyZ cwi tekMZ Bmj,tjvi w`E`Z w`dgi bKkv c`q`bi t`j`i weKí we`Pbv n`q`Qj (cwi tekMZ c`ve c`g`bi c`qvRbxqZv Kug`q Avbri j`j`) wK? niu bv

hw` n`v nq, w`dgi bKkvi tKv_vq Zv m`ú,³ Kiv n`q`Q?

wb`P wJK w`Py w`b:

K. n`v, weKí msh` Kiv n`q`Q, tm,tjvi c`qvRb wQj

L. bv, c`qvRb_vKv m`E`j tKv`bv weKí msh` Kiv nqwb

weKí ivLvi c`qvRb_vKtj I hw` Zv h` Kiv bv n`q`_v`K, tKb Kiv nqwb?

2. hvPvB ch`q m`cwi kKZ c`ve c`g`bi e`e`_v,tjv wK c`k`i wbg`y Pw`tZ Aš`f` Kiv n`q`Q? niu bv

3. w`dgi Rb` m`xgZ cwi tekMZ ch`j vPbv (Gj BG) c`qvRb n`j, ch`j vPbri Rb` Gj BG bw`c` wK `vbxq mi Kvi we`v`Mi civgk`Ki Kv`Q cvV`bv n`q`Qj? niu bv

4. w`dgi Rb` Gj BG c`qvRb_vKtj, Gj BG-tZ m`cwi kKZ c`ve j`vNe e`e`_v,tjv w`g c`q`b Aš`f` Kiv n`q`Q wK? niu bv

5. Gj BG-tZ m`cwi kKZ c`ve j`vNe e`e`_v,tjv (hw`_v`K) w`g wbg`y Pw`tZ Aš`f` Kiv n`q`Q wK? niu bv

6. ev`evq`bi mgq tKv`bv Ac`Z`wKZ cwi tekMZ mgm`v t`Lv w`tq`Qj wK? niu bv

hw` Reve n`vunq, tm,tjv wK wQj (thgb: f-c`ôi cwbi MwZc_cw`eZ, bZb wbg`Z tmP e`e`_v, eR`Drcv`b BZ`w`)?

hw` ZvB nq, Zvntj wK f`ve c`ve c`gb Kiv n`q`Qj?

hw` Ac`Z`wKZ c`vemgn c`gb Kiv n`q`_v`K, tm,tjv th`v`te Kiv n`q`Qj Zv wQj

(wJK w`Py w`b): m`š`H RbK m`š`H RbK bq

NU`Z cv`i Ggb tKv`bv Ac`Z`wKZ cwi tekMZ c`ve m`ú`K`Kv`bv ch`e`Y Av`Q wK?

7. G w`g wK tKv`bv cwi tekMZ m`u` RbM`Yi c`ekwaKvi q`x`Kti`Q? nuv bv
8. w`dgi cwi tekMZ c`ve Ges w`dgi m`dj /K`dj m`u`K`Rb`Mv`xi m`m`i`i gZvgZ wK? m`S`H RbK wKQ`lv m`S`H RbK m`S`H RbK bq tgv`UI m`S`H RbK bq

gJ Z Am`S`H RbK ntj , Zv`i `w`f`w`/i w`f`E`Z wKQzAwZwi³ Z` w`b:

.....
 I qvW`KugwU hv`Z Gme cwi tekMZ D`t`M tgvKv`ej v Ki`Z cv`i tm e`vcv`i wK wK mpcvwi k wQj ?

9. G Bmj `tj vi e`vcv`i I qvW`KugwU`K AeMZ Kiv ntq`Qj wK? nuv bv
 mvgv`RK Bmj

1. G w`dgi we`gvb t`f`S`Z mxgvi evB`ti f`ig e`envi Kiv ntq`Q wK? nuv bv

2. hv` ntq `v`K, w`dgi Rb` e`eu`Z f`igi gwj K : mi Kvi (Lvm, Ab`vb` mi Kwi ms`v, BD`bqb cwi l`-mi Kwi f`ig) e`w`³ gwj Kvbv`xb

3. mi Kwi f`ig ntj , G f`ig wK Kv`R e`envi Kiv n`w`Qj :

4. mi Kwi f`ig e`envi Kvi x e`w`³ i msL`v:

5. cpe`mb/`v`v`S`i i Rb` q`w`Zc`Y ev mnvqZv j vfKvi x e`w`³ i msL`v:

6. G f`ig e`w`³ gwj Kvbv`xb ntj , th Kv`R f`ig e`envi Kiv n`w`Qj :

7. f`ig e`envi Kivi dtj q`w`ZM`-f`ig gwj K`i i msL`v:

8. e`w`³ gwj Kvbv`xb f`ig th f`v`te M`h`Y Kiv ntq`Q:

- t`^Qv `vb q`w`Zc`Y i w`bgtq `vb Ab`vb` Dcvq (Dtj E`Ki`b):

9. q`w`Zc`Y i w`bgtq `vb` w`nt`m`te KZRb f`ig gwj K`K q`w`Zc`Y t` I qv ntq`Q?

10. G w`g wK tKv`bv m`u` e`envi tKv`bv Rb`Mv`xi c`ekwaKvi q`x`Kti`Q hv Zvi R`w`eKvi Rb` e`envi Ki`Zv? nuv bv

11. w`g I Gi m`dj m`u`K`Rb`Mv`xi gZvgZ: m`S`H RbK wKQ`lv m`S`H RbK m`S`H RbK bq

b₇-Rb†Mvôx m³ú†K³AwZwi³ Z³

12. w³g ZËyeav†b AskMôYKvi x b₇-Rb†Mvôxi m`m` I msMVb₃tj vi bvg:

.....
.....

13. w³†gi Rb³ e³euZ Rwg†Z ¶wZM³-b₇-Rb†Mvôxi AwaKv†i i aib : (GKwaK c†hvR³ n†Z cv†i)

□ AvBbMZ (b₇-Rb†Mvôx e³w³/cwi ev†i i msL³v.....)

□ c†vMZ (b₇-Rb†Mvôx e³w³/cwi ev†i i msL³v.....)

□ mi Kv†i i m†½ BRvi v Pw³ (b₇-Rb†Mvôx cwi ev†i i msL³v.....)

□ Ab³v³ (D†j †Ki “b) (b₇-Rb†Mvôx cwi ev†i i msL³v.....)

14. hvPvBKv†j b₇-Rb†Mvôx I msMVb₃tj vi e³ Kiv mvgwRK D†ØM:

.....

15. w³g c†vq†b b₇-Rb†Mvôxi Gme mvgwRK D†ØM₃tj v we†ePbv n†q†Q wK?

□ niiv □ bv

16. b₇-Rb†Mvôx I msMVb₃tj vi w³†gi mvgwRK m†dj m³ú†K³avi Yv:

□ BwZevPK □ tbwZevPK □ BwZevPK ev tbwZevPK †Kv†bwUB bq

17. Dc†i ewY³ mgm³v/Bmj₃tj v, hw³ †v†K, I qvW³Kw†j†K mgvavb Ki†Z n†e:

.....
.....

G dig hviv c†Y K†i†Qb (w³g m†cvi w†fkb Kw†jw³ m`m`†`i bvg) :

wbgw†j wLZ w³g m†cvi w†fkb Kw†jw³ m`m`i v w³†gi ev³evq³ ZËyeavbKv†j Ask w†t†q†Qb:

bvg: †¶¶i I Zwi L

bvg: †¶¶i I Zwi L

bvg: †¶¶i I Zwi L

bvg: †¶¶i I Zwi L

bvg: †¶¶i I Zwi L

bvg: †¶¶i I Zwi L

10. cwi wkó

10.1. Standard evfRU di g (bgbv QK)

BDwci ewl R evfRU

..... BDwbq cwi l` (Gj wRuW AvBwW.....), DctRj v.....

tRj v..... A_°eQi : 201.....201...

LvtZi bvg	cieZFA_°eQti i evfRU (UrKv)			Pj wZ A_°eQti i mstkwaZ evfRU (UrKv)	ceZFA_°eQti i cKZ (UrKv)
	wbR^ [^] Znej	Ab'vb' Znej	tgvU		
1	2	3	4	5	6
cóli wK tRi :					
nvtZ bM`					
e'vstK Rgv					
tgvU cóli wK tRi :					
cóB:					
Ki Av`vq					
cwi l` KZK j vBtmY I cviugU wdm					
BRvi v e'e` cóB					
AhwSK hibeintbi j vBtmY wdm					
m=úE t_tK Avq					
ms`vcb KvR mi Kwi Abj vb					
`vei m=úE n`vši 1% A_°					
mi Kwi m#I Abj vb					
mi Kwi t_vK eivI					
`vbxq mi Kvi cúZóvbm#I cóB					
Ab'vb' cóB					
tgvU cóB					
e`q :					
ms`vcb e`q :					
tPqvi g'vb l m`m`i m=úbx					
KgPvi x KgKZ#` i teZb, fvZv					
Ki Av`vq e'e` e`q					
wcúUs Ges t÷ kbwi					
Wk l Zvi					
w`yr wj					
Awdm i YteY					
Ab'vb' e`q					
Dbqbgj K e`q:					
Kul cKí					
`f` l cqtib°vkb					
iv`vwbqY l tgi vqZ					
MrbqY l tgi vqZ					
wkYv KgmiP					
tmP l Lyj					
Ab'vb'					
tgvU e`q:					
mgvcbx tRi :					

Abjgv` tbi Zwi L:

Standard erRU dig (D`vniY)

BDuci ewl K erRU

mvfvi BDubqb cwi l` (Gj wRuW AvBwW.....), DcRjv : mvfvi,

tRjv: XvKv A_@eQi : 2011-2012

LvZi bvg	cieZFA_@eQti i erRU (UvKv)			Pj wZ A_@eQti i mstkwaZ erRU (UvKv)	ce@ZFA_@eQti i cKZ (UvKv)
	wbR`^Znej	Ab`vb`Znej	tgvU		
1	2	3	4	5	6
cwi wK tRi :					
nvfZ bM`	500/-		500		
e`vstK Rgv	1,48,000	50,000	1,99,000		
tgvU cwi wK tRi :			1,99,500		
cwB:					
Ki Av`vq	10,00,000		10,00,000	9,00,000	
cwi l` KZK jvBtmY l` cwi wU wdm	5,00,000		5,00,000	5,00,000	
BRvi v ere` cwB	1,50,000		1,50,000	1,50,000	
AhwSK hibe m tbi jvBtmY wdm	1,00,000		1,00,000	50,000	
m=umE t`K Avq					
ms`vcb KvR mi Kwii Abj`vb		80,000	80,000	80,000	
`vei m=umE n`vst 1% A_@		10,00,000	10,00,000	10,00,000	
GwMctZ mi Kwii m#l` Abj`vb					
mi Kwii t`K eivl`		25,00,000	25,00,000	25,00,000	
`vbxq mi Kwii cwZvbm#l` cwB					
Ab`vb` cwB	50,000	1,00,000	1,50,000	1,50,000	
tgvU cwB	18,00,000	36,80,000	54,80,000	47,30,000	
e`q :					
ms`vcb e`q :					
tPqvi g`vb l` m`m`i m=bx	40,000	40,000	80,000	80,000	
KgPvix KgKZ#` i teZb, fvZv	2,00,000	40,000	2,40,000	1,20,000	
Ki Av`vq ere` e`q	1,50,000		1,50,000	1,00,000	
wcUUs Ges t`-kbwi	50,000		50,000	1,00,000	
WwK l` Zvi	50,000		50,000	50,000	
w`yr`nej	30,000		30,000	40,000	
Awdm i`Yvte`Y	50,000	50,000	1,00,000	50,000	
Ab`vb` e`q	60,000		60,000	50,000	
Dbaqbj`K e`q:					
Kw l` cKf`		10,00,000	10,00,000	10,00,000	
`f` l` cqtib`vkb	10,00,000		10,00,000	10,80,000	
iv`v`bg`Y l` tgi`vqZ		25,00,000	25,00,000	20,00,000	
Mn`bg`Y l` tgi`vqZ	-	-	-	-	
wK`Yv KgM`P	-	-	-	-	
tmP l` Lvj	-	-	-	-	
Ab`vb`					
tgvU e`q:	16,30,000	36,30,000	52,60,000	46,70,000	
mgvcbx tRi :			4,19,500		

Abj`gv` tbi Zwi l`:

tPqvi g`v`tbi` v`v`i

m`v`pei` v`v`i

10.2. bgjv K'vk eB

K'vk eB

A_@Qi

BDwbq cwi l` , Dc†Rj v,
 †Rj v, gvm..... |
 e'vsK G'vKvD†Ui bvg Ges G'vKvD†U b†† :

c@B						cwi †kva					
Zwi L	FvDPvi bs	c@Bi weei Y	UvKvi cwi gvY		inm†ei LvZ	Zwi L	FvDPvi bs	c@Bi weei Y	UvKvi cwi gvY		inm†ei LvZ
			K'vk	e'vsK					K'vk	e'vsK	
1	2	3	4	5	6	7	8	9	10	11	12
		c@i v=K v'vZ									
		†gvU						†gvU			
								mgvcbx v'vZ			
		me†gvU						me†gvU			

OK: D`vni Y

K'vk eB

A_@Qi 2011-2012, gvm : gvP©2012

mvfvi BDwbq cwi l` , Dc†Rj v/_vbw : mvfvi , †Rj v : XvKv,
 e'vsK G'vKvD†Ui bvg Ges G'vKvD†U b†† : Gj vRGmuc-Gj AvBim mvfvi BDuc, GKvD†U-365214 |

c@B						cwi †kva					
Zwi L	FvDPvi bs	c@Bi weei Y	UvKvi cwi gvY		inm†ei LvZ	Zwi L	FvDPvi bs	c@Bi weei Y	UvKvi cwi gvY		inm†ei LvZ
			K'vk	e'vsK					K'vk	e'vsK	
1	2	3	4	5	6	7	8	9	10	11	12
		c@i v=K v'vZ	30,000	5,00,000							
5.3.12	uc.1 431	UvYcvi		12,50,000	mi Kwii t_vK eivl	7.3.12	H-15/7	SIC†K cwi †kva	-	1,30,000	iv`v ubg†Y
20.3.12	V-432	bM` e'vs†K Rgv		30,000	mi Kwii t_vK eivl	12.3.12	H-16/7	vKv'v†K cwi †kva	-	7,70,000	iv`v ubg†Y
							H-17/7	vKv'v†K cwi †kva	-	5,00,000	iv`v ubg†Y
							H-18/7	e'vsK t_†K mi Urb®	30,000		mi Kwii t_vK eivl
		†gvU	30,000	17,80,000				†gvU	30,000	13,00 000	
								mgvcbx †Ri	-	4,80,000	
		me†gvU	30,000	17,80,000				me†gvU	30,000	17,80,000	

10.3. 5 e0i tgqvw` cwi Kí bv cŸq†bi cŸqvRbxq QK (bgpv):

QK: 5 e0i tgqvw` cwi Kí bv cŸq†Y cŸqvRbxq QK

I qvW©Abhvqx AMŸaKvi wfvEK ev` evqb†hvM` w`†gi Zvwj Kv `Zwi i bgpv QK

I qvW© b††	AMŸaKvi wfvEK wbeŸPZ w`†gi bvg				
	cŸg e0i	wŸZxq e0i	ZZxq e0i	PZL`e0i	cÂg e0i
1	1. 2. 3.				
2	1. 2. 3.				
3	1. 2. 3.				
4	1. 2. 3.				
5	1. 2. 3.				
6	1. 2. 3.				
7	1. 2. 3.				
8	1. 2. 3.				
9	1. 2. 3.				
10	1. 2.				

10.3.6. GjuvRGmuc0i ` 9|Zv gj `vqb mPKmgñ

9 Zv gj `vqtb t9 Tmgñ	mPKmgñ	mteveP t`vi
1. cwi Kí br l evfRU	• cAewl R Dbqrb cwi Kí br	4
	• 31 tg Gi gta` DctRj v ubeñx Awclmvti i KvQ Pevš- evfRU l Dbqrb cwi Kí br tclY	2
	• eQi tktl Dbqrb evfRtUi Zj brq cKZ Dbqrb e`q (e`tqi nvi)	3
2. AwlR wel qvej (e`q, AwlR e`e`vcbv, µq Ges c0Zte`b)	• mæú` i tñwR÷ti c0ZKiY/c0Zw mæú` wPwYZKiY	2
	• 31 Rj vB Gi gta` ewl R wmwve weeiYx c0Z l h_vh_ `vfb tclY	2
	• gwmK e`vsk wmwve mgšq	2
	• µqbwZgvj v Abjmi Y Kti 31 Rj vB-Gi gta` µq cwi Kí br c0ZKiY	2
• AwWU AvciEi w0uñEKiY	2	
3. wBR`^i vR`^ AvniY	• ce0ZPA_0Qti i Zj brq eiaZ i vR`^Av` vtqi nvi	4
	• ce0ZPe0ti cwi Kwí Z wBR`^i vR`^Avtqi Zj brq cKZ i vR`^Avtqi cwi gvY	2
4. cwi ex9 Y, ch9 e9 Y, `^QZv l Rever` wZv	• Rbmvari tYi AeMwzi Rb` ewl R AwlR weeiYx, AwWU c0Zte`b l ewl R evfRU RbmæjL cKvk Kiv	4
5. M0g-Av` vj tZi KvhRwii Zv	• M0g Av` vj Z AvBb 2006 Abjmi tY wbcuqZfvte M0g- Av` vj Z cwi Pj br Kiv	1

me9|vU = 30

R) cĶĪ cŶqb I ev⁻evqġbi mgq BDĪc cwi tekMZ cġve, Rb⁻ġ⁻, mvgwRK cġve BZ^w wēl qġK h_v[⊙] i“Z_j w[̄] t_q wetePbv Ki te| Ggb tKvġbv cĶĪ MōY Kiv hvte bv, hvi dtj cwi teġki ŲwZ nq, RbMY⁻ vbPjZ nq, A_{ev} Zvġ i Rxeb-RxwKvi Dci t_{bw}ZevPK mvgwRK cġve tdtj |

GLvġb Dġj E⁻, w_bR⁻^m^áú[̄] mn Ab[̄]vb[̄] m^áú[̄] e⁻envi Kġi BDĪbqb chġq ev⁻evqġbi Rġb[̄] Ggb me cĶĪ M_{px}Z nte, th_̄tj v RbAskMōtYi w⁻f^wE⁻tZ cŶxZ BDĪbqb cwi I⁻ i c⁻Āewl Ų A_{ev} ewl Ų cwi KĪ bvq Zvwj Kv⁻f[̄] i t_qtQ|

Gj wRGm_c:2 cĶġĪ i Avl Zvq teimK e⁻K MōU(wewwR)/ dvi di t_gY e⁻K MōU (wewwR) Zn_{et}j i A_{ev}[⊙]-vbxq mi Kvi (BDĪbqb cwi I⁻) AvBb, 2009-G w_{ba}wi Z j Ų⁻ cġtY I AwcZ⁻ w_qZ_i m^áú[̄]b[̄]e⁻Kivi t_Ųt_Ī e⁻q Kiv hvte| t_{Kej} thme t_Ųt_Ī e⁻wZ_μg nte, t_m̄,tj v n_tj v:

K) BDĪc t_Pqvi g⁻vb, m⁻m⁻ w_Ksev Kg⁻ġ⁻ i teZb, g_RYi w_Ksev tKvġbv m_{jeav} t⁻l qvi Rġb[̄] GB wewwR/wewwR Zn_{et}j e⁻envi Kiv hvte bv|

L) Ų_i^A_{ev}ġ_{bm}n tKvġbv A_{ev}Ų_wZK t_{mev} thLvġb Ų_i^e⁻emvq D_t^v_tM FY mi eivn Kiv nq, Avi t_mU Aj v⁻f⁻RbK LvZ t_{nv}K ev bv t_{nv}K, Ggb tKvġbv t_Ųt_Ī GB Zn_{et}j e⁻envi Kiv hvte bv|

M) Gj wRGm_c:2 Acv_ik_{bj}vj g⁻v_{bj}vj -Gi msh⁻ 3-Gi Ų_tbwZevPK Zvwj Kv₀i eY₀v Ab_hvq_x Ggb tKvġbv cĶĪ MōY Kiv hvte bv, hvi t_{bw}ZevPK cwi tekMZ/mvgwRK cġve Av_tQ|

N) ag_Ųq c₀Z₀v_tbi m_vt_̄ msh⁻ tKvġbv cĶġĪ wewwR/wewwR Zn_{et}j t_̄t_K A_{ev}q_b Kiv hvte bv|

O) BDĪc-Gi w_bR⁻^AeKv_vt_gv w_gŲ⁻, Avmevec⁻ I h_šc_wiZ m_μv_š-tKvġbv cĶġĪ wewwR/wewwR Zn_{et}j t_̄t_K A_{ev}q_b Kiv hvte bv|

m_we_Kf_vte, wewwR/ wewwRm_gn D_bq_b K_vh_μg ev⁻evq_b I i Ų_Yv_teŲ_tYi Rb⁻ e⁻e₀Z nte, Ges tKvġbv_vteB e⁻w³MZ m^áú[̄] AR₀ ev e⁻w³MZ j_vt_fi Rb⁻ b_q| Gj wRGm_c:2-Gi Avl Zvq wewwR/wewwR₀i Ab_tg_v b_th_vM⁻ e⁻q m_μv_š- GK_U Ų_{bw}ZevPK Zvwj Kv₀ Gj wRGm_c:2 Acv_ik_{bj}vj g⁻v_{bj}vj -Gi msh⁻ 5 w_tm_te A_šf_Ų Kiv n_tq_tQ|

cwi KĪ bv K_Ug_U

c₀Z⁻K BDĪbqb_t GK_U cwi KĪ bv K_Ug_U _vK_te| BDĪbqb cwi I⁻ i GK_Rb m⁻m⁻ GB K_Ug_Ui Av_nv_qK w_tm_te g_tb_vx_Z n_teb| GB K_Ug_Ui Ab⁻ m⁻m⁻i v n_teb: BDĪc₀i Ab⁻vb⁻ m⁻m⁻, m_uPe Ges BDĪbqb cwi I⁻ b⁻KZ Ab⁻vb⁻ ⁻B_ti i c₀v_b| D_bq_b cwi KĪ bvq Aw_fÁ I ⁻Ų_t th tKvġbv e⁻w³ GB K_Ug_Ui m⁻m⁻ n_tZ cv_iteb|

cwi KĪ bv cŶqġbi Rġb[̄] cwi KĪ bv K_Ug_U w_ge_wY_Z c₀μ_qv Ab_{mi}Y Ki te:

I q_wW[⊙]K_Ug_Ui g_vā_tg m_gv_tRi t_jv_KR_tbi m_vt_̄ th_vM_vth_vM Ki te I Zvġ i gZvgZ MōY Ki te|

K) cĶĪ w_PŲ_YZ Ki te I cĶġĪ i K_wi M_wi w_K w_tk_H Ki te|

L) cwi Kí bvi tKŠkj wK nte Zvi QK erbvte (thgb- cwi Kí bvi Abkxj b wKfvte Kiv nte, wewfbæ:KugwUj fvgKv, Abtgv`tbi cŕµqv, WKtgbUktbi e`e`v wK nte cŕvZ)|

M) cKtí i Zwj Kv GKxfZ Kiŕe Ges Ri`wi I AMŕaKvi cŕB wclq,tjv wPwYZ Kiŕe|

civgkŕ AMŕaKvi wbaŕY cŕµqv

`vbxq mi Kvi (BDwq b cwi l`) AvBb, 2009 Abtqvq BDwq b cwi l` Zvt` i `wqZt KZE` cjt`bi Rtb` cAewl Ŕ, ewl Ŕ I mvgwqK cwi Kí bv cŕqb I ev`evqb Kiŕe, tmUvB cZ`wKZ| BDwC chŕq cwi Kí bv cŕqb cŕµqv wbtæwYŒ c×wZtZ KiŕZ nte:

K) I qwŕmfvq DbŕŒ MY-i bmbi gva`tg `vbxq Pwv`v wPwYZ KiŕZ nte I tm,tjvi tŕZi t`tK AMŕaKvi wbaŕY KiŕZ nte| GB mfvq mgvŕRi wewfbæ:kŕbi gvbŕI i cŕZwbaŕ` i AskMŕY wbuŒZ KiŕZ nte|

L) mgqgZ BDwC Dbŕ b cwi Kí bv I evŕRU cŕZ KiŕZ nte|

M) cwi Kí bv I evŕRU mgvŕRi gvbŕI i KvŕQ DbŕŒ KiŕZ nte|

Gj wRGmŕcŕi Rtb` gvPŕGmŕcŕi gvm hLb BDwq b cwi l`K 3-5 eQŕi i AvbgwmbK wewŕR eivŕ m`úŕKŕAewŕZ Kiv nte, ZLb BDwC tPqvi g`vb hv hv Kiŕeb:

K) GKwU DbŕŒ BDwC mfv WwKŕeb, thLvŕb AvbgwmbK evŕRU eivŕ m`úŕKŕmKj BDwC m`m` I mgvŕRi tjvKŕ` i AewŕZ Kiŕeb| Dcw`Z e`w`eMŕRbAskMŕY cŕµqvq Zvt` i `^`Gj vKvi Rtb` Dbŕ b AMŕaKvi wbaŕY Kiŕeb|

L) BDwC tbwŕm tŕŕwŕwewŕR/wcŕewŕR eivŕI i tbwŕm cŕ kŕ Kiŕeb, Ges GB Z` e`vcKfvte cŕvi Kiŕeb|

I qwŕmfv i `evŕK I qvŕWŕ mKj Dbŕ b KgŕvÉ I wMZ eQŕi i BDwq b ewl Ŕ cŕZte`b chŕj vPbv e`e`v KiŕZ nte| GB mfv wMZ %vŕKi w×vŕŕ chŕj vPbv Kiŕe| I qwŕmfv i `evŕK MpxZ tKvŕbv w×vŕŕ-ev`evqtb e`_`ntj, Zvi Rtb` msŕkŕ- I qwŕm`m` Ges BDwC tPqvi g`vb `vqex`nŕeb|

cŕZ`K BDwC m`m` msŕkŕ-gwŕj v m`m`mn GKwU I qwŕmfv `evŕKi AvŕqvRb Kiŕeb| GB mfvq mgvŕRi tjvKŕ` i Gj wRGmŕc:2-Gi eivŕ I Ab`vb` eivŕ m`úŕKŕAewŕZ KiŕZ nte| Gj wRGmŕc:2-Gi Aaxŕb MwZ I qwŕm KugwU (WwŕBw) GB mfvq mnŕthwMzv Kiŕe| GB mfv Dŕŕ`k` nte I qwŕmchŕqi AMŕaKvi ,tjvŕK wPwYZ Kiv, th,tjv Dbŕ b cwi Kí bvq hŕŒ KiŕZ BDwCŕZ Dc`vcb Kiv nte| I qwŕmfv i Zwi L AvŕMB Rwbŕq t` Iqv nte, Ges mgvŕRi m`m`ŕ` i Zvt` i BDwCŕi Rtb` Dbŕ b Pwv`v Ztj aiŕZ Abŕiva Kiv nte| cŕg eQŕiB BDwC cAewl Ŕ cwi Kí bv `Zwi Kiŕe| cAewl Ŕ cwi Kí bvq tKvŕbv tKvŕbv cKí cŕg I cieZŕeQŕi ,tjvŕZ ev`ewqZ nte, tm,tjvi Dŕj E`vKŕe| wŒZxq eQŕi t`tK cAewl Ŕ cwi Kí bv chŕj vPbv Kiv nte, Ges mgvŕRi Rtb` AMŕaKvi wŕwÉŕZ ewl Ŕ cwi Kí bv wbaŕY Kiv nte|

I qwŕmfv i `evŕK I qwŕmKugwU meŕZK tPŕv Kiŕe hvŕZ hZ tenk msL`K m`æ I qvŕWŕ bvŕwi Kŕ` i gZvgZ tKvŕbw hvq, Ges GB msL`v I qvŕWŕ 5% tŕvUŕi i Kg nte bv| BDwC gwŕj v m`m`iv mgvŕRi gwŕj v m`m`ŕ` i civgkŕtŕeb| cŕqvRŕb I qwŕmfv

AvtM tKej gvnjv`i Rtb` GKw Avjv`v mfvi AvtqvRb KiZ nte| BDwc gvnjv m`tm`i tbZtZ; AvtqmRZ GB Dbj³ mfvg mgvRi gvnjviv Zvt`i AM⁰AKviwfvEK c⁰qvRbmgn Ztj ai⁰eb|

IqvW⁰mfvi cwi Kí bv `eVKvtj cKí c⁰vebvmg⁰ni tFzi t⁰tK AM⁰AKviwfvEK I ev`evqbt⁰hM` cKí mgn wba⁰Y Kiv nte| RbAskM⁰YwfvEK GB cwi Kí bv `eVtK wbaew⁰Z ch⁰qmgn AbjnZ nte:

cwi Kí bv ch⁰q : 1

IqvW⁰mfvi c⁰wZgj K KvR :

- RbAskM⁰Ygj K cwi Kí bvi c⁰g c`⁰t⁰c wntmte BDwc mfvg IqvW⁰mfv AvtqvRb Kiv I Gi mgqmP wba⁰Y Kiv;
- IqvW⁰mfvi cwi Kí bv tmkb AvtqvRtb mnvqZv `vtbi Rb` IqvW⁰ ch⁰qi Kvgw⁰ t⁰j vtK msMwZ Kiv|

cwi Kí bv ch⁰q : 2

c⁰wgK Z` msM⁰ :

- GjvKwfvEK I mgvRi tckwfvEK tQvU tQvU `j GjvKvi Dbqb Pwn`v t⁰jv wba⁰Y Ki⁰te|
- GjvKvi Pwn`v wbi⁰ctYi Rtb` tmv⁰ij g`wics, Avtj vPbv mfiv BZ`w` gva`g e`eüZ nte|
- `vbxq AM⁰AKviwfvEK Pwn`v wbi⁰ctYi Rtb` RbAskM⁰Ygj K cwi Kí bv c⁰Yqb c⁰wgK Z` wj wce⁰x Kivi Rtb` QK e`envi KiZ nte|
- tQvU tQvU `tj i AM⁰AKvi t⁰j vtK GKw⁰Z Kivi Rtb` QK e`envi Kiv th⁰Z cv⁰ti, Ges IqvW⁰mfvi `eVtK GB GKxfZ Z` Dc`vcb KiZ nte|
- cwi Kí bv c⁰wqv`i i` KiZ GKw WvUvteR e`envi Kiv th⁰Z cv⁰ti |

cwi Kí bv ch⁰q : 3

IqvW⁰mfvi AvtqvRb

- IqvW⁰mfv AvtqvRtbi AŞZ 7 w`b AvtM Dch⁰ gva`tg (thgb, gvBwKs Kti, tXvj ewRtq, tbwUm Sij tq, wj dtj U I `vlqvZc⁰ weZiY Kti) IqvW⁰ t⁰jvKt`i AewZ Kivi `wqZ; BDwc⁰i |
- BDwc tPqvi g`vb w⁰ÖZ Ki⁰teb th, h⁰vh⁰fvte IqvW⁰mfv AvtqvRb Kiv nt`Q, Ges IqvW⁰m`m` IqvW⁰mfvg mfvcwZ; Ki⁰teb|
- IqvW⁰mfvg Lmov Dbqb/Kg⁰cwi Kí bv Dc`vcb Kiv nte| AskM⁰YKvi xt`i Dbj³ gZvtZi wfvEK Z c⁰wEZ tKvtbv cKt⁰i ms⁰thvRb/cwi eZ⁰/ms⁰tkvab Kiv nte, Ges AM⁰AKvi wba⁰Y Kiv nte|

cwi Kí bv ch⁰q - 4

BDwbqb Dbqb cwi Kí bv

- IqvW⁰ch⁰qi mKj c⁰vebv GKw⁰Z Kiv nte, Ges AeKwvtgv, Kw⁰, `v`-, w⁰kv, cw⁰b I cqt⁰w⁰kb e`e`v, tLj vaj v I ms`wZ, bvi xDbqb, wki, h⁰ Dbqb, Z`

- c̄h̄y³ BZ^w t̄q̄Ī Ab̄h̄vq̄x t̄m̄,t̄jv evQvB Kiv n̄te| c̄wi Kí bv K̄ūḡu GB c̄ŵ^e, t̄jv ch̄ġj vPbv I m̄pc̄wi t̄ki R̄t̄b^o m̄s̄k̄e ÷^o v̄w̄Ēs K̄ūḡu Ūt̄Z Dc⁻vcb Kite|
- I qvW^omfv KZ^R ūba^oi Z AM̄ŵaKvi Zwj Kv I m̄a^oú^t i c̄ŵ^cZvi ūbwi t̄L ÷^o v̄w̄Ēs K̄ūḡu c̄ŵ^ebv, t̄jvi GK̄u AM̄ŵaKvi Zwj Kv c̄ŵ^oqb Kite|
 - c̄Āewl ^oR c̄wi Kí bvq ewl ^oR w̄f̄w̄Ēt̄Z c̄Kí , t̄jv Aš^f ^o v̄Kte; c̄ŵ^og eQ̄t̄i c̄Kí , t̄jvq c̄ŵ^ougK e⁻q-c̄ŵ^oj b^t I qv⁻v̄Kte|
 - c̄wi Kí bv K̄ūḡu m̄s̄k̄e ÷^o v̄w̄Ēs K̄ūḡu i m̄pc̄wi kmn GK̄w̄Ī Z c̄Āewl ^oR c̄wi Kí bv c̄p̄ivq ch̄ġj vPbv Kite, Ges BD̄w̄w̄m̄m m̄fvq t̄m̄u D̄Ī vcb Kite| BD̄w̄w̄m̄m m̄fvq Gi Dci Av̄t̄j vPbv n̄te, Ges BD̄w̄c̄ŵi Kv̄ŵ Ab̄t̄gv^o t̄bi R̄t̄b^o Dc⁻vcb Kiv n̄te|
 - BD̄w̄c̄ Zv̄^t i m̄vavi Y m̄fvq c̄Āewl ^oR c̄wi Kí bv Ab̄t̄gv^o b Kite| c̄Kí Ab̄t̄gv^o t̄bi R̄t̄b^o BD̄w̄c̄ c̄ūP̄u gvb^o Ē w̄ētePbv Kite: (1) ^o v̄w̄Ī^o w̄ēt̄gv̄P̄t̄b c̄K̄t̄i Ae⁻vb, (2) c̄Kí t̄⁻t̄K DcKvi t̄f̄v̄M̄xi m̄s̄L⁻v, (3) ḡun̄j v, w̄ki I ^o v̄⁻t̄⁻ i R̄t̄b^o DcKvi, (4) B̄w̄ZevPK m̄vḡw̄RK I c̄wi t̄ekMZ c̄f̄ve, Ges (5) ⁻v̄bxq ch̄ġq K̄wi M̄wi ū K t̄⁻t̄K ev⁻evq̄b̄t̄h̄v̄M̄^o/e⁻e⁻v̄cbv̄t̄h̄v̄M̄^o w̄K bv|
 - I qvW^om̄f̄vi ^oeV̄t̄K m̄vḡw̄RK gZvḡt̄Zi gva^o t̄g c̄Āewl ^oR c̄wi Kí bvi w̄f̄w̄Ēt̄Z ewl ^oR c̄wi Kí bv c̄ŵ^oqb Kite n̄te|
- c̄wi Kí bv ch̄ġ : 5
- BD̄w̄bq̄t̄bi c̄Āewl ^oR D̄bq̄b c̄wi Kí bv I ewl ^oR c̄wi Kí bv R̄bm̄^o t̄L c̄K̄v̄k
- c̄Āewl ^oR D̄bq̄b c̄wi Kí bv I ewl ^oR c̄wi Kí bv Ab̄t̄gv̄^o Z n̄l qvi ci, BD̄w̄c̄ t̄b̄w̄Jm̄ t̄eW̄^o I qv̄t̄W̄^o Ab⁻v̄b^o Ḡj v̄Kv I Ḡj w̄RḠm̄ic I t̄q̄em̄B̄t̄U Ḡ,t̄jv c̄K̄v̄k Kiv n̄te| ḠQ̄rov, c̄wi Kí bvi m̄dU&K̄uc K̄w̄^oúD̄Ūt̄i m̄si ^oq̄Y Kiv n̄te h̄v̄t̄Z cieZ^omḡt̄q GB K̄uc t̄KD P̄v̄t̄j Zv^t I qv h̄vq|
 - I qvW^och̄ġqi K̄ūḡu I qvW^och̄ġq m̄fv Av̄t̄qvRb Kite c̄v̄t̄i, t̄h̄L̄v̄t̄b mḡv̄t̄Ri gvb̄j Ab̄t̄gv̄^o Z c̄Āewl ^oR I ewl ^oR c̄wi Kí bv m̄a^oú^t K̄^oAew̄Z Kiv n̄te|
 - Ab̄t̄gv̄^o Z c̄wi Kí bv, t̄jvi Ab̄j̄j w̄cm̄ḡa Dc̄t̄R̄jv c̄wi I t̄⁻ c̄v̄w̄t̄bv n̄te| Dc̄t̄R̄jv c̄wi I t̄⁻ i m̄fvq Ḡme c̄wi Kí bv Av̄t̄j w̄P̄Z n̄te, Ges Ḡ,t̄jv Dc̄t̄R̄jv c̄Āewl ^oR c̄wi Kí bvi m̄v̄t̄⁻ GK̄xf̄Z n̄te|

⁻ŵ/- Zwi L: 25.02.2012

(kvgxgv b̄w̄M̄f̄)

h̄M̄^o m̄iPe (BD̄w̄c̄)

t̄dv̄b : 9514632

w̄eZi Y: c̄ŵ^oq̄vR̄bxq K̄v̄h̄ġ^o

1| t̄R̄jv c̄K̄v̄m̄K (m̄Kj),

2| Dc̄t̄R̄jv ūbe^ofx Awd̄m̄vi (m̄Kj), Dc̄t̄R̄jv....., t̄R̄jv

3| Dc̄t̄R̄jv t̄P̄q̄vi ḡ⁻vb (m̄Kj), Dc̄t̄R̄jv....., t̄R̄jv